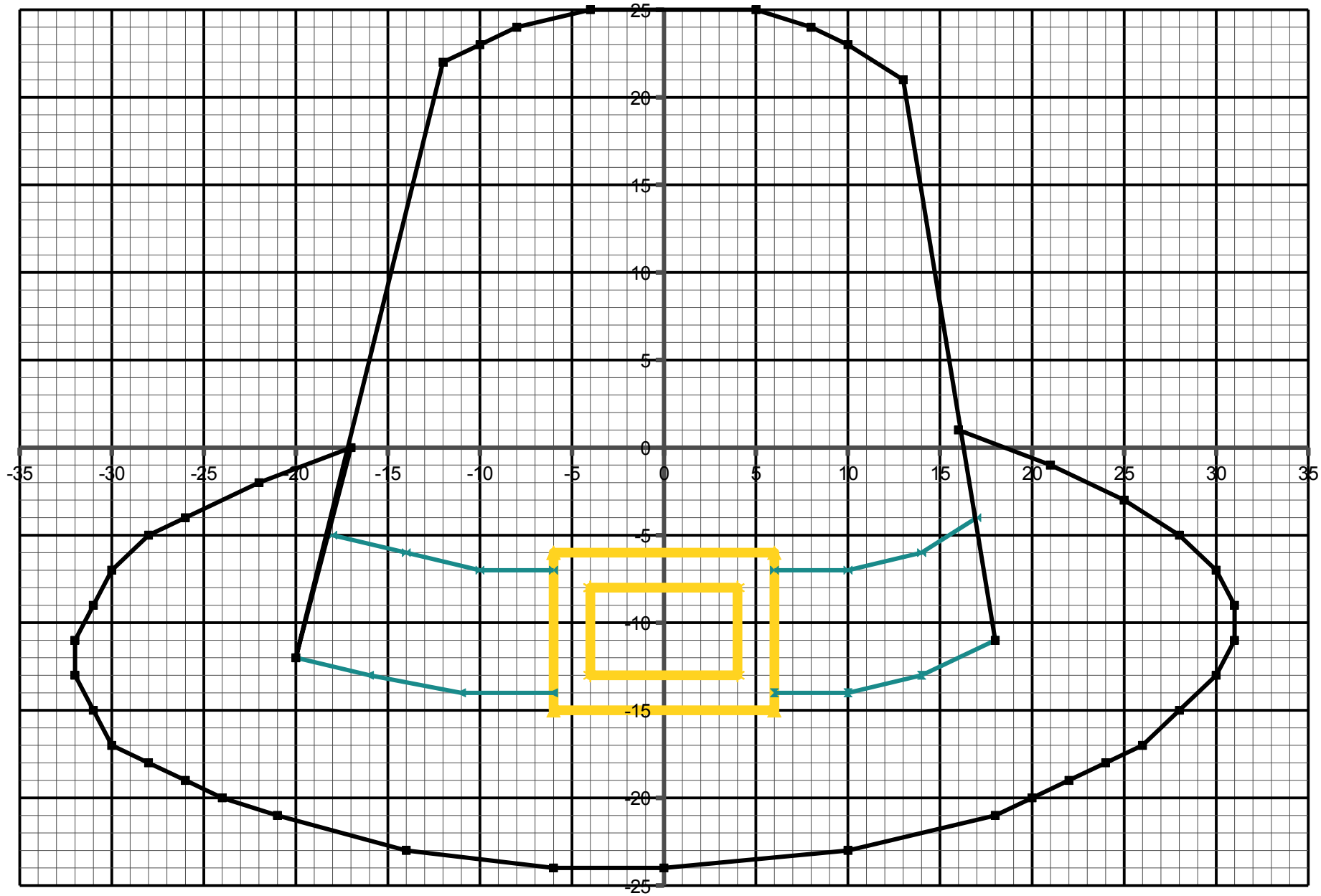


Thanksgiving Cartesian Art Answer

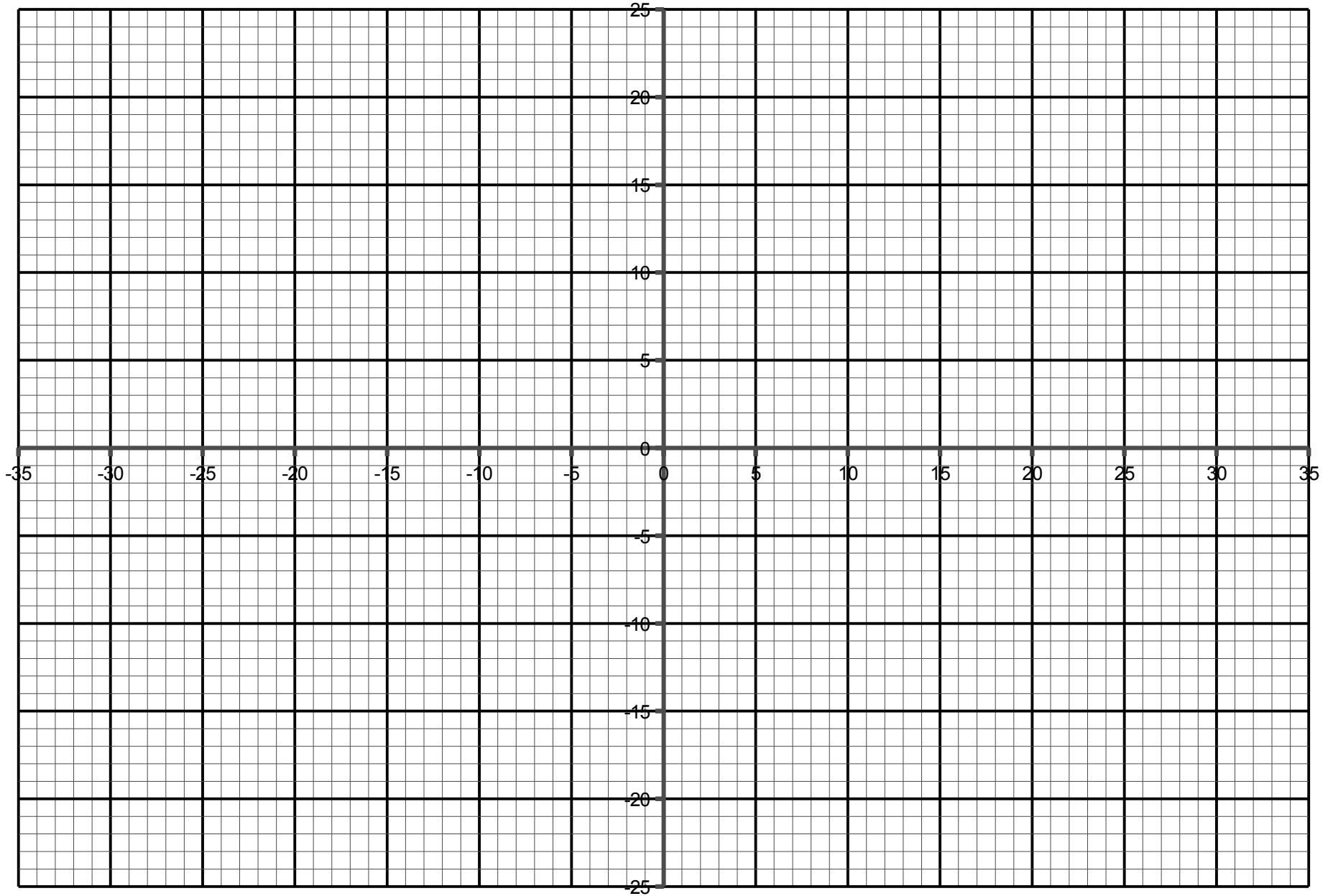


Thanksgiving Cartesian Art

Join each set of points, in order, using line segments.

1. (16, 1), (21, -1), (25, -3), (28, -5), (30, -7), (31, -9), (31, -11), (30, -13), (28, -15), (26, -17), (24, -18), (22, -19), (20, -20), (18, -21), (10, -23), (0, -24), (-6, -24), (-14, -23), (-21, -21), (-24, -20), (-26, -19), (-28, -18), (-30, -17), (-31, -15), (-32, -13), (-32, -11), (-31, -9), (-30, -7), (-28, -5), (-26, -4), (-22, -2), (-17, 0), (-20, -12), (-12, 22), (-12, 22), (-10, 23), (-8, 24), (5, 25), (8, 24), (10, 23), (13, 21), (18, -11)
2. (-6, -6), (6, -6), (6, -15), (-6, -15), (-6, -6)
3. (-4, -8), (4, -8), (4, -13), (-4, -13), (-4, -8)
4. (-20, -12), (-16, -13), (-11, -14), (-6, -14)
5. (-18, -5), (-14, -6), (-10, -7), (-6, -7)
6. (6, -14), (10, -14), (14, -13), (18, -11)
7. (17, -4), (14, -6), (10, -7), (6, -7)

Thanksgiving Cartesian Art



Happy Thanksgiving from Math-Drills.com!