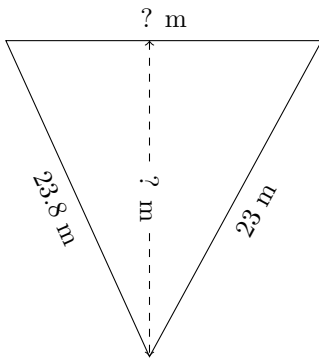


Triangles Measurements (I)

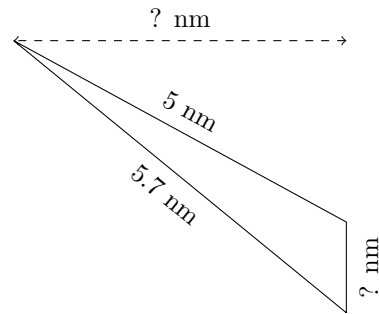
Calculate the missing measurements for each triangle.

1.



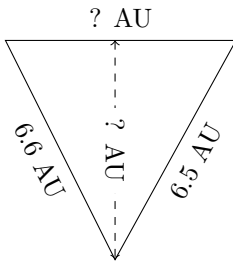
$P = 67.7 \text{ m}$
 $A = 218.405 \text{ m}^2$

2.



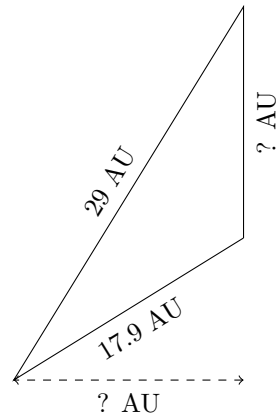
$P = 11.9 \text{ nm}$
 $A = 2.64 \text{ nm}^2$

3.



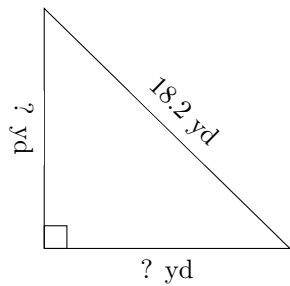
$P = 19.2 \text{ AU}$
 $A = 17.69 \text{ AU}^2$

4.



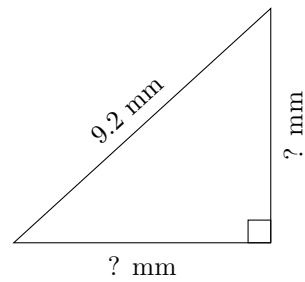
$P = 62.2 \text{ AU}$
 $A = 116.28 \text{ AU}^2$

5.



$P = 43.9 \text{ yd}$
 $A = 82.55 \text{ yd}^2$

6.

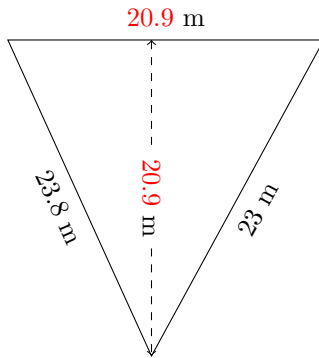


$P = 22.2 \text{ mm}$
 $A = 21.08 \text{ mm}^2$

Triangles Measurements (I) Answers

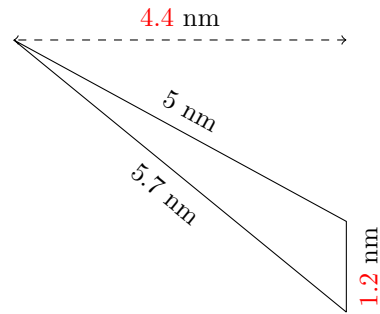
Calculate the missing measurements for each triangle.

1.



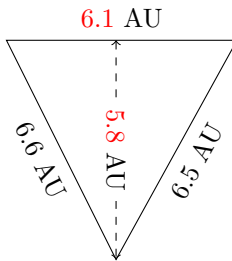
$P = 67.7 \text{ m}$
 $A = 218.405 \text{ m}^2$

2.



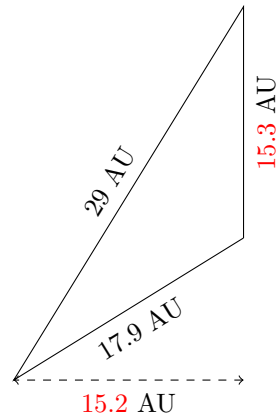
$P = 11.9 \text{ nm}$
 $A = 2.64 \text{ nm}^2$

3.



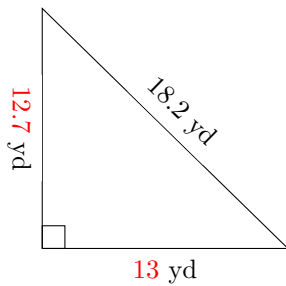
$P = 19.2 \text{ AU}$
 $A = 17.69 \text{ AU}^2$

4.



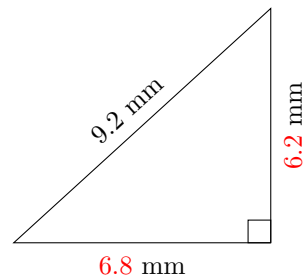
$P = 62.2 \text{ AU}$
 $A = 116.28 \text{ AU}^2$

5.



$P = 43.9 \text{ yd}$
 $A = 82.55 \text{ yd}^2$

6.



$P = 22.2 \text{ mm}$
 $A = 21.08 \text{ mm}^2$