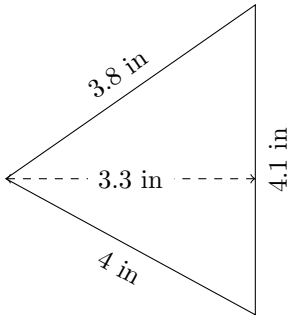


Perimeter and Area of Triangles (C)

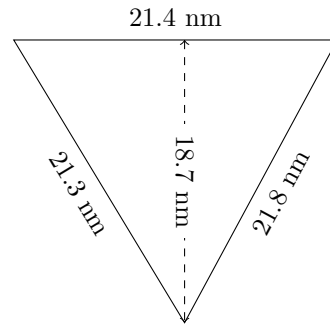
Calculate the perimeter and area for each triangle.

1.



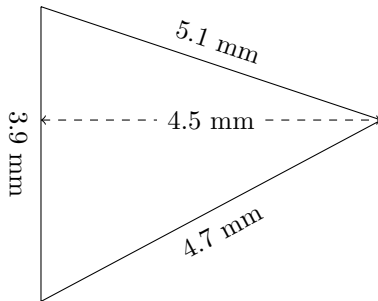
$P = ? \text{ in}$
 $A = ? \text{ in}^2$

2.



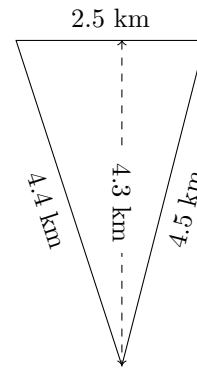
$P = ? \text{ nm}$
 $A = ? \text{ nm}^2$

3.



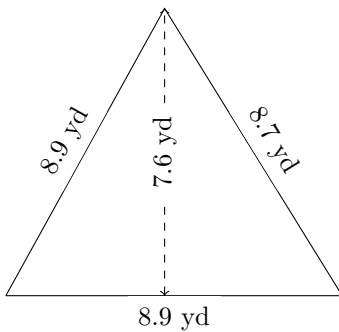
$P = ? \text{ mm}$
 $A = ? \text{ mm}^2$

4.



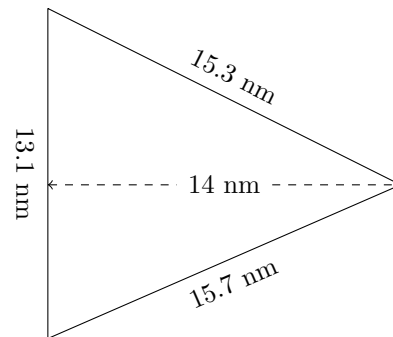
$P = ? \text{ km}$
 $A = ? \text{ km}^2$

5.



$P = ? \text{ yd}$
 $A = ? \text{ yd}^2$

6.

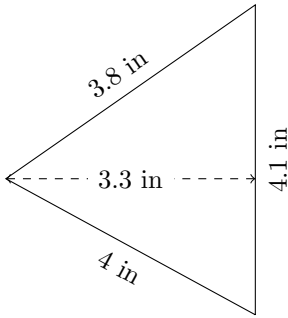


$P = ? \text{ nm}$
 $A = ? \text{ nm}^2$

Perimeter and Area of Triangles (C) Answers

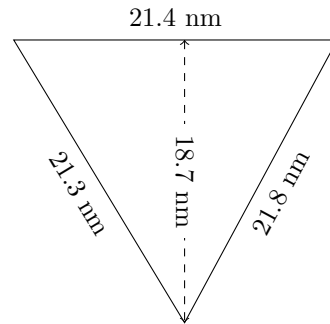
Calculate the perimeter and area for each triangle.

1.



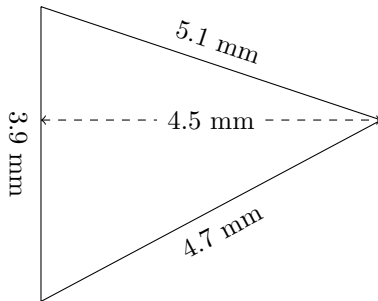
$P = 11.9$ in
 $A = 6.765$ in²

2.



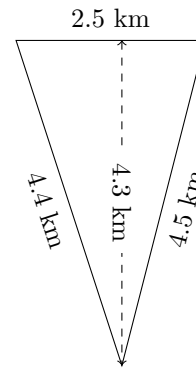
$P = 64.5$ nm
 $A = 200.09$ nm²

3.



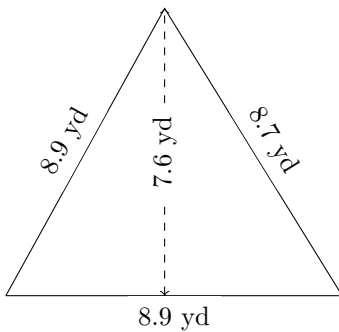
$P = 13.7$ mm
 $A = 8.775$ mm²

4.



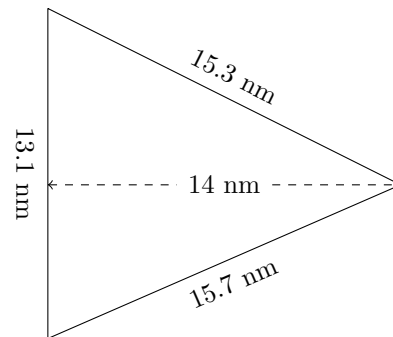
$P = 11.4$ km
 $A = 5.375$ km²

5.



$P = 26.5$ yd
 $A = 33.82$ yd²

6.



$P = 44.1$ nm
 $A = 91.7$ nm²