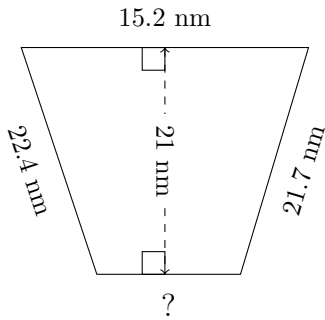


Trapezoid Measurements (B)

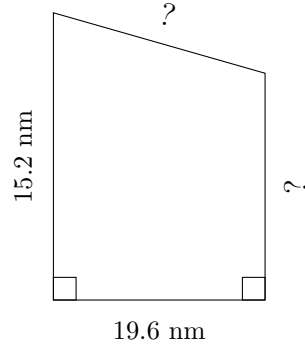
Calculate the missing measurements for each trapezoid.

1.



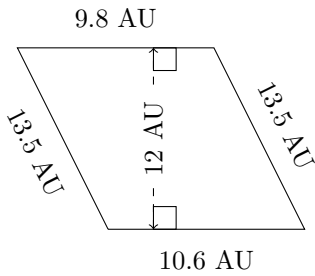
$P = ?$
 $A = 242.55 \text{ mm}^2$

2.



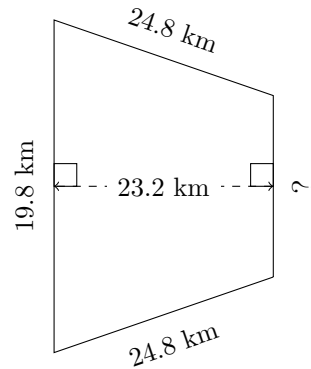
$P = 64.7 \text{ mm}$
 $A = 243.04 \text{ mm}^2$

3.



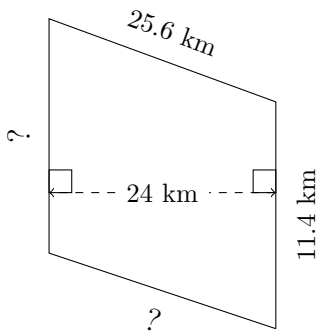
$P = ?$
 $A = ?$

4.



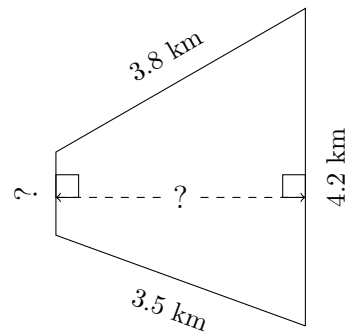
$P = 80.2 \text{ km}$
 $A = ?$

5.



$P = 71.3 \text{ km}$
 $A = 241.2 \text{ km}^2$

6.

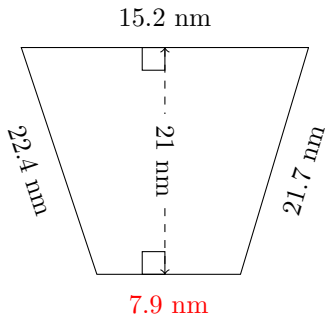


$P = 12.6 \text{ km}$
 $A = 8.745 \text{ km}^2$

Trapezoid Measurements (B) Answers

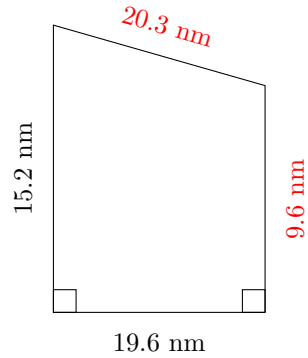
Calculate the missing measurements for each trapezoid.

1.



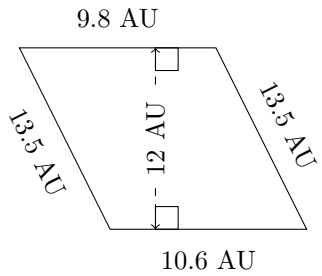
$P = 67.2 \text{ nm}$
 $A = 242.55 \text{ nm}^2$

2.



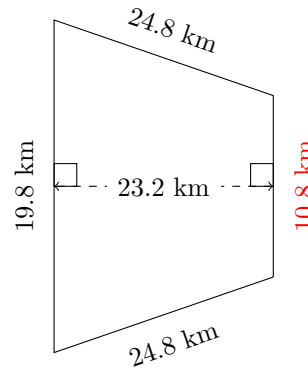
$P = 64.7 \text{ nm}$
 $A = 243.04 \text{ nm}^2$

3.



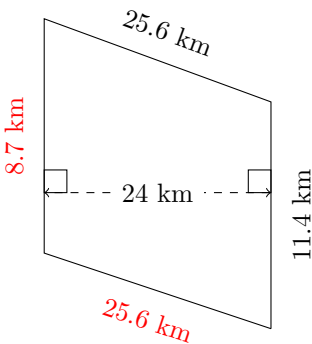
$P = 47.4 \text{ AU}$
 $A = 122.4 \text{ AU}^2$

4.



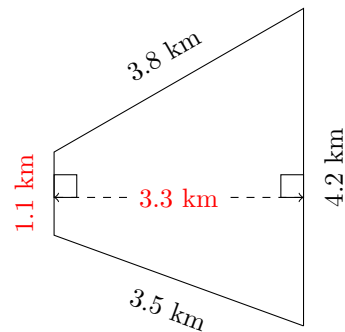
$P = 80.2 \text{ km}$
 $A = 354.96 \text{ km}^2$

5.



$P = 71.3 \text{ km}$
 $A = 241.2 \text{ km}^2$

6.



$P = 12.6 \text{ km}$
 $A = 8.745 \text{ km}^2$