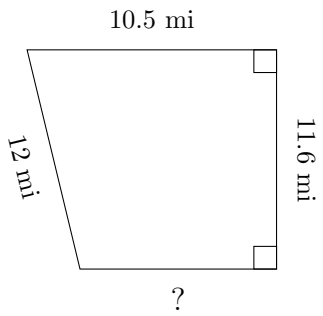


Trapezoid Measurements (F)

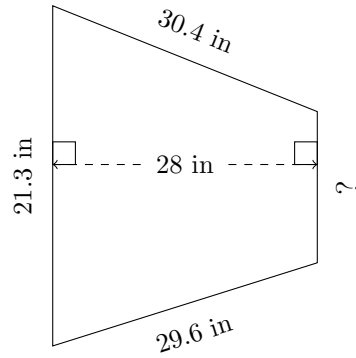
Calculate the missing measurements for each trapezoid.

1.



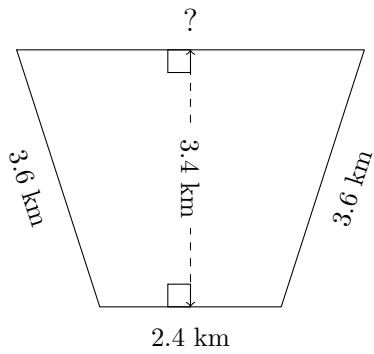
$P = ?$
 $A = 91.64 \text{ mi}^2$

2.



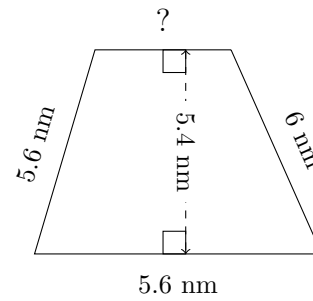
$P = ?$
 $A = 394.8 \text{ in}^2$

3.



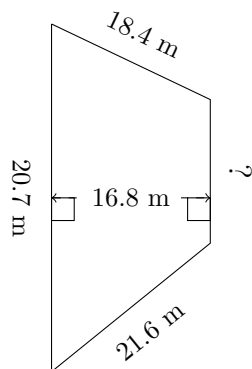
$P = ?$
 $A = 11.9 \text{ km}^2$

4.



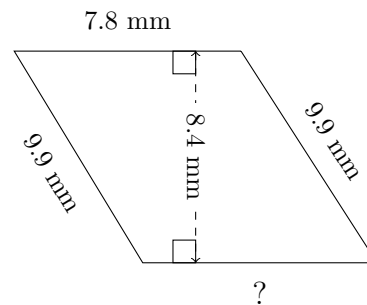
$P = ?$
 $A = 23.22 \text{ mm}^2$

5.



$P = ?$
 $A = 266.28 \text{ m}^2$

6.



$P = ?$
 $A = 65.94 \text{ mm}^2$