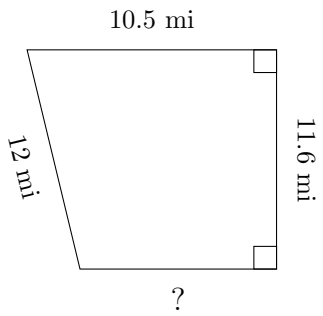


Trapezoid Measurements (F)

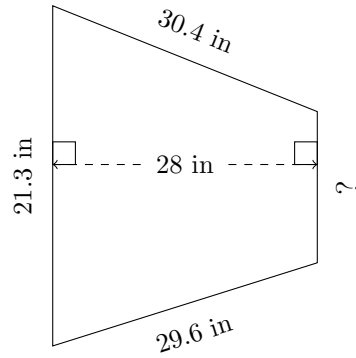
Calculate the missing measurements for each trapezoid.

1.



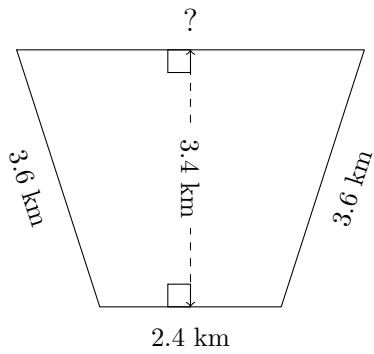
$P = ?$
 $A = 91.64 \text{ mi}^2$

2.



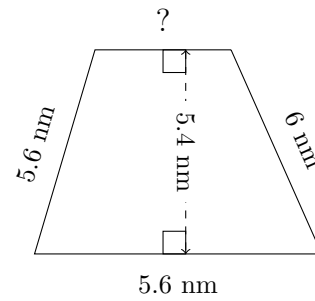
$P = ?$
 $A = 394.8 \text{ in}^2$

3.



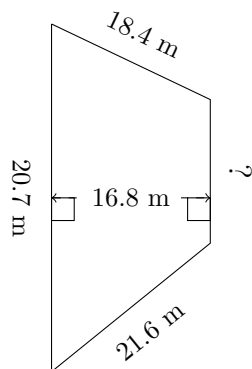
$P = ?$
 $A = 11.9 \text{ km}^2$

4.



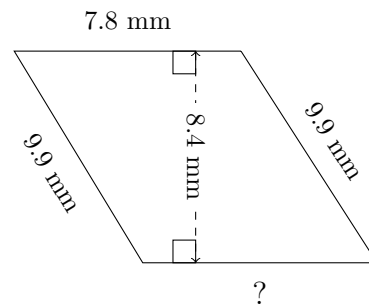
$P = ?$
 $A = 23.22 \text{ nm}^2$

5.



$P = ?$
 $A = 266.28 \text{ m}^2$

6.

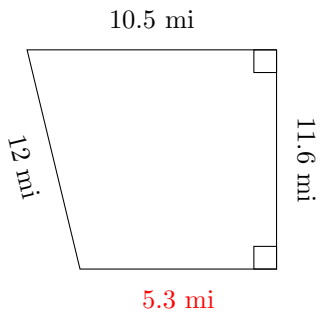


$P = ?$
 $A = 65.94 \text{ mm}^2$

Trapezoid Measurements (F) Answers

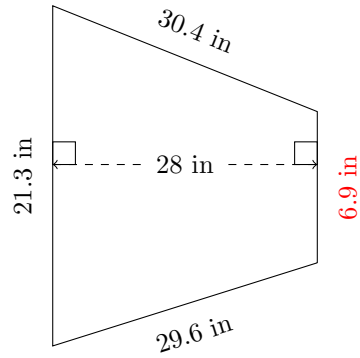
Calculate the missing measurements for each trapezoid.

1.



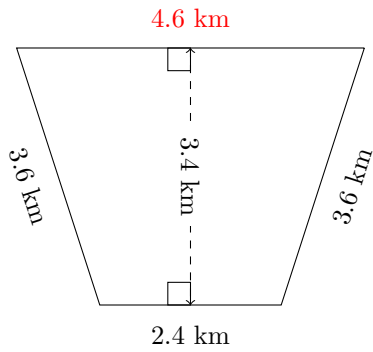
$P = 39.4 \text{ mi}$
 $A = 91.64 \text{ mi}^2$

2.



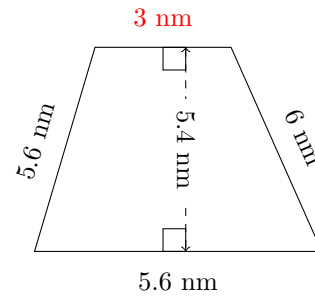
$P = 88.2 \text{ in}$
 $A = 394.8 \text{ in}^2$

3.



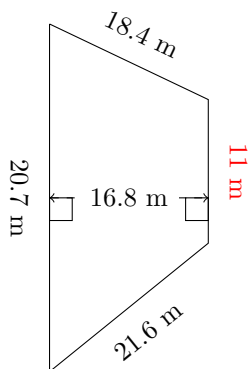
$P = 14.2 \text{ km}$
 $A = 11.9 \text{ km}^2$

4.



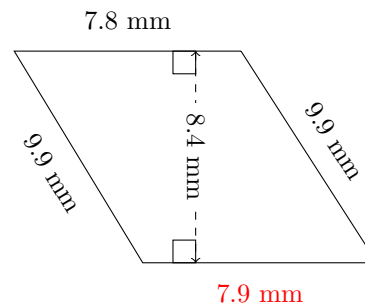
$P = 20.2 \text{ nm}$
 $A = 23.22 \text{ nm}^2$

5.



$P = 71.7 \text{ m}$
 $A = 266.28 \text{ m}^2$

6.



$P = 35.5 \text{ mm}$
 $A = 65.94 \text{ mm}^2$