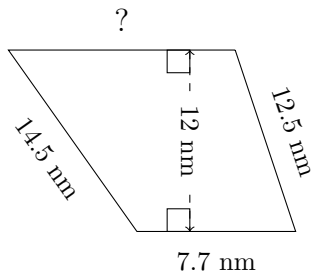


# Trapezoid Measurements (D)

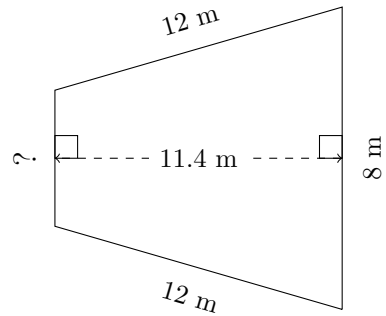
Calculate the missing measurements for each trapezoid.

1.



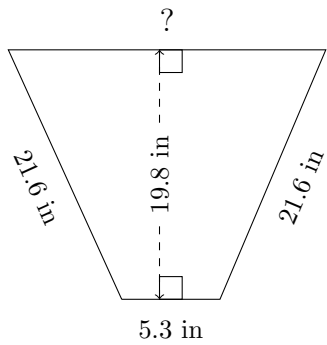
$P = ?$   
 $A = 121.8 \text{ nm}^2$

2.



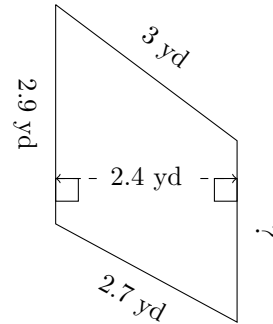
$P = ?$   
 $A = 66.12 \text{ m}^2$

3.



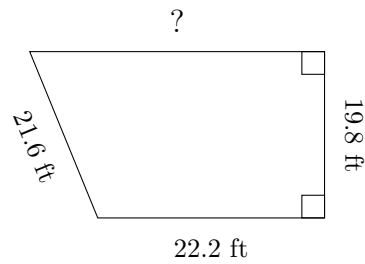
$P = ?$   
 $A = 193.05 \text{ in}^2$

4.



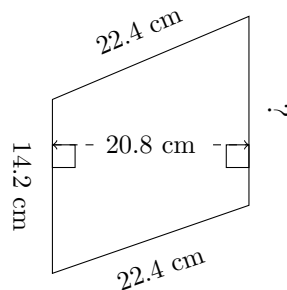
$P = ?$   
 $A = 6.36 \text{ yd}^2$

5.



$P = ?$   
 $A = 377.19 \text{ ft}^2$

6.



$P = ?$   
 $A = 297.44 \text{ cm}^2$