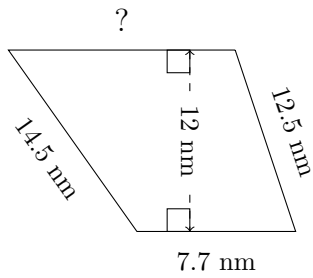


# Trapezoid Measurements (D)

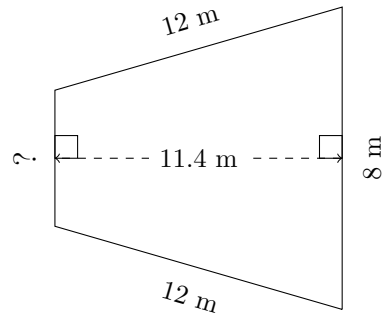
Calculate the missing measurements for each trapezoid.

1.



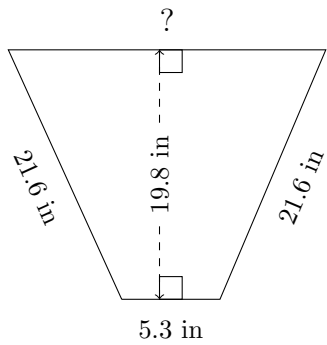
$P = ?$   
 $A = 121.8 \text{ nm}^2$

2.



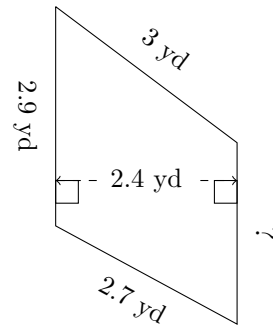
$P = ?$   
 $A = 66.12 \text{ m}^2$

3.



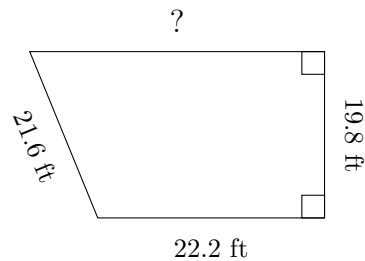
$P = ?$   
 $A = 193.05 \text{ in}^2$

4.



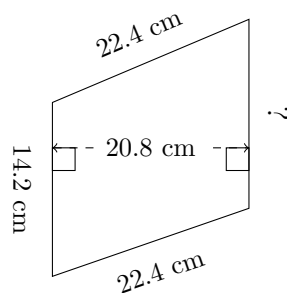
$P = ?$   
 $A = 6.36 \text{ yd}^2$

5.



$P = ?$   
 $A = 377.19 \text{ ft}^2$

6.

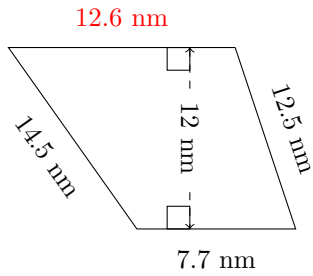


$P = ?$   
 $A = 297.44 \text{ cm}^2$

# Trapezoid Measurements (D) Answers

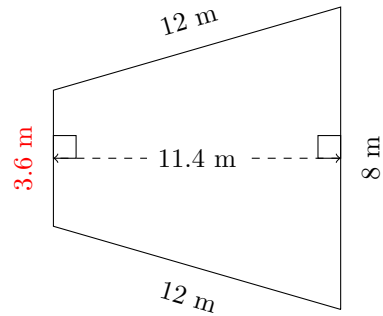
Calculate the missing measurements for each trapezoid.

1.



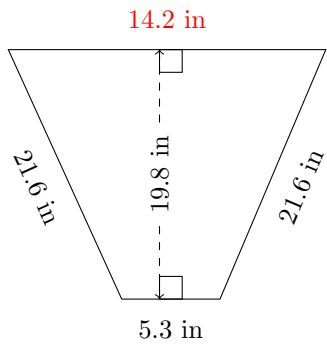
$P = 47.3 \text{ mm}$   
 $A = 121.8 \text{ mm}^2$

2.



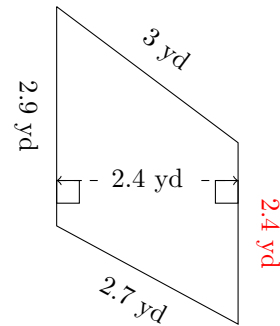
$P = 35.6 \text{ m}$   
 $A = 66.12 \text{ m}^2$

3.



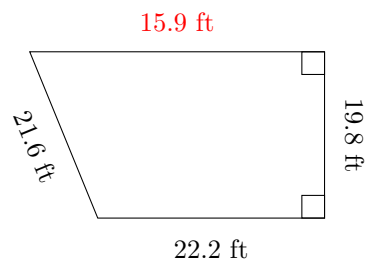
$P = 62.7 \text{ in}$   
 $A = 193.05 \text{ in}^2$

4.



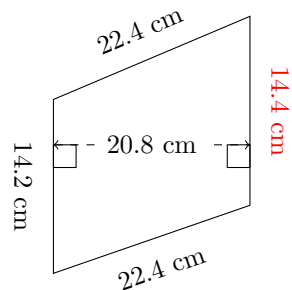
$P = 11 \text{ yd}$   
 $A = 6.36 \text{ yd}^2$

5.



$P = 79.5 \text{ ft}$   
 $A = 377.19 \text{ ft}^2$

6.



$P = 73.4 \text{ cm}$   
 $A = 297.44 \text{ cm}^2$