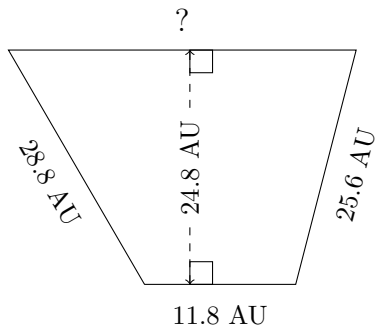


# Trapezoid Measurements (C)

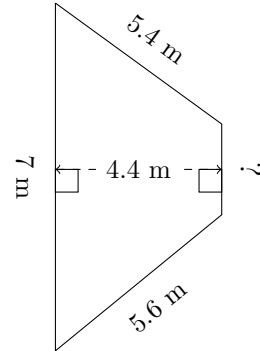
Calculate the missing measurements for each trapezoid.

1.



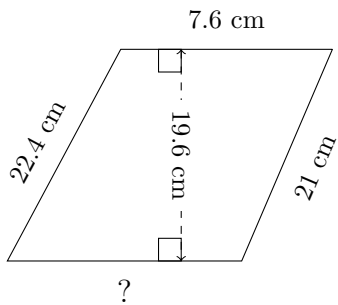
$P = ?$   
 $A = 411.68 \text{ AU}^2$

2.



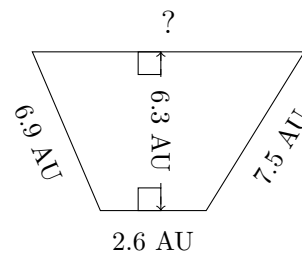
$P = ?$   
 $A = 19.36 \text{ m}^2$

3.



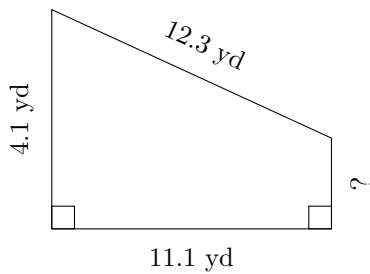
$P = ?$   
 $A = 151.9 \text{ cm}^2$

4.



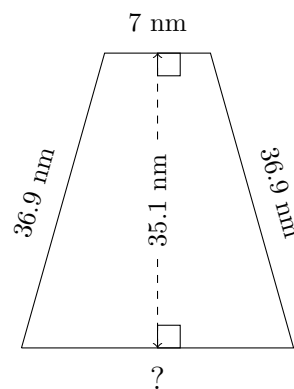
$P = ?$   
 $A = 30.24 \text{ AU}^2$

5.



$P = ?$   
 $A = 36.075 \text{ yd}^2$

6.



$P = ?$   
 $A = 438.75 \text{ nm}^2$