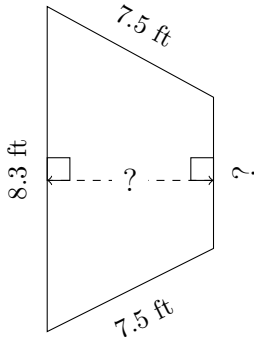


# Trapezoid Measurements (C)

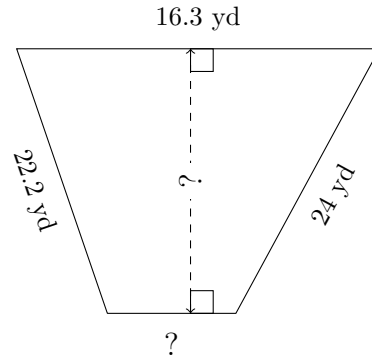
Calculate the missing measurements for each trapezoid.

1.



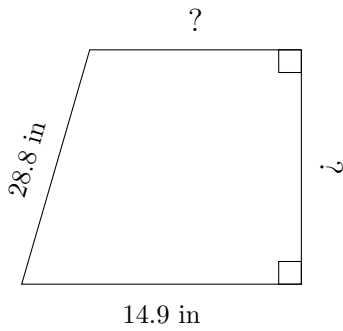
$P = 27.5 \text{ ft}$   
 $A = 41.25 \text{ ft}^2$

2.



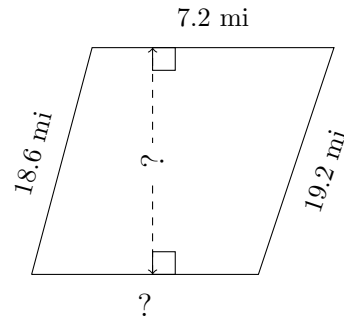
$P = 67.2 \text{ yd}$   
 $A = 220.5 \text{ yd}^2$

3.



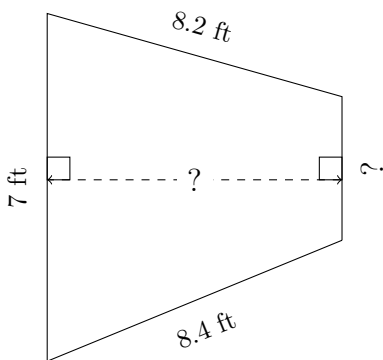
$P = 85.6 \text{ in}$   
 $A = 403.155 \text{ in}^2$

4.



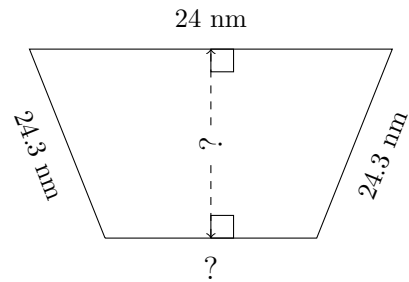
$P = 55 \text{ mi}$   
 $A = 154.8 \text{ mi}^2$

5.



$P = 26.6 \text{ ft}$   
 $A = 39 \text{ ft}^2$

6.



$P = 86.6 \text{ nm}$   
 $A = 427.5 \text{ nm}^2$