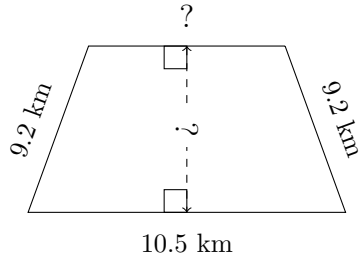


# Trapezoid Measurements (B)

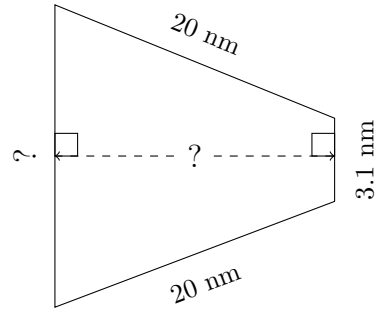
Calculate the missing measurements for each trapezoid.

1.



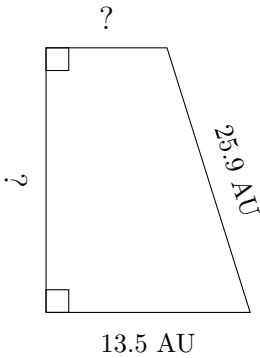
$P = 35.4 \text{ km}$   
 $A = 74.8 \text{ km}^2$

2.



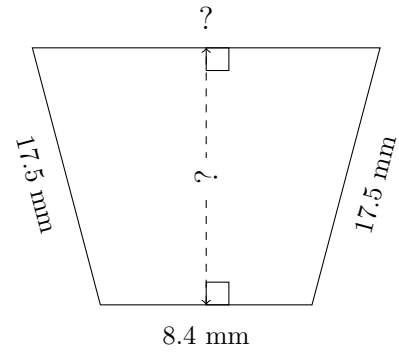
$P = 55.1 \text{ nm}$   
 $A = 139.675 \text{ nm}^2$

3.



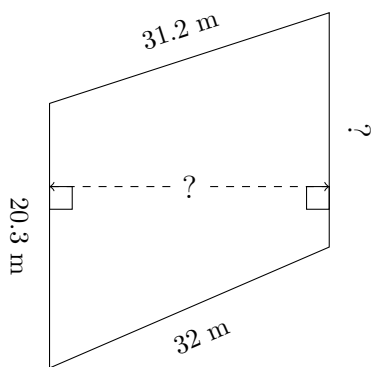
$P = 70.9 \text{ AU}$   
 $A = 251.125 \text{ AU}^2$

4.



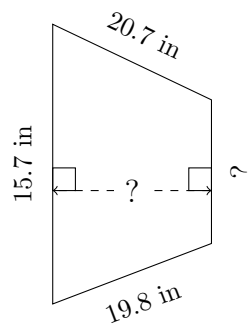
$P = 57.2 \text{ mm}$   
 $A = 188.7 \text{ mm}^2$

5.



$P = 102.7 \text{ m}$   
 $A = 584.6 \text{ m}^2$

6.



$P = 67.7 \text{ in}$   
 $A = 257.04 \text{ in}^2$