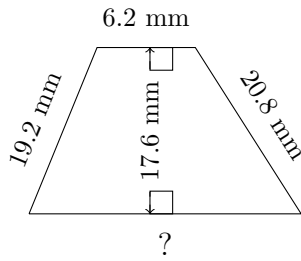


Trapezoid Measurements (A)

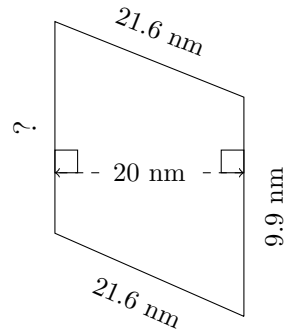
Calculate the missing measurements for each trapezoid.

1.



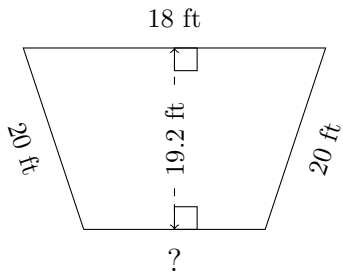
$P = 63.8 \text{ mm}$
 $A = ?$

2.



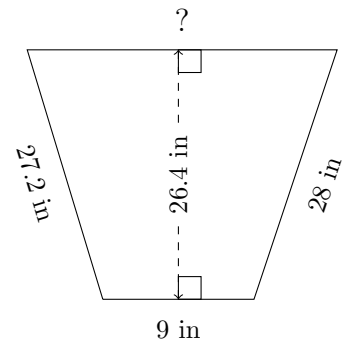
$P = 61.5 \text{ mm}$
 $A = ?$

3.



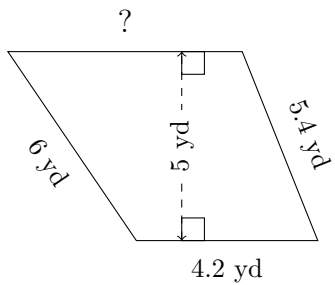
$P = 68.8 \text{ ft}$
 $A = ?$

4.



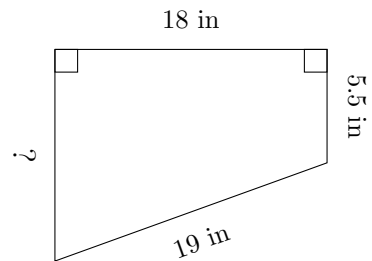
$P = 82.3 \text{ in}$
 $A = ?$

5.



$P = 21 \text{ yd}$
 $A = ?$

6.

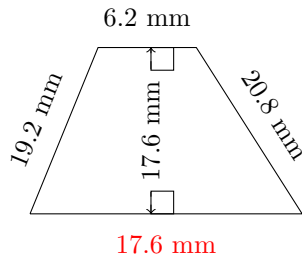


$P = 52.5 \text{ in}$
 $A = ?$

Trapezoid Measurements (A) Answers

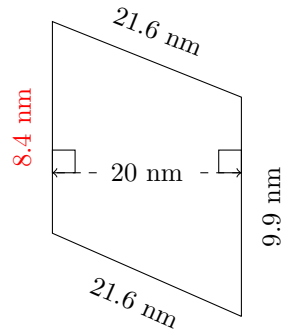
Calculate the missing measurements for each trapezoid.

1.



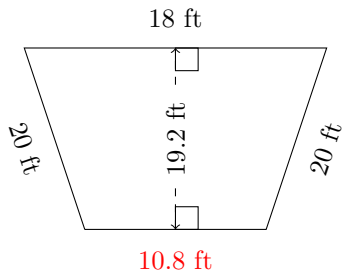
$P = 63.8 \text{ mm}$
 $A = 209.44 \text{ mm}^2$

2.



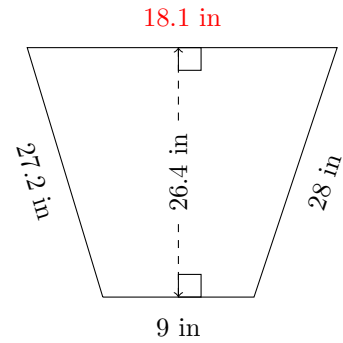
$P = 61.5 \text{ mm}$
 $A = 183 \text{ mm}^2$

3.



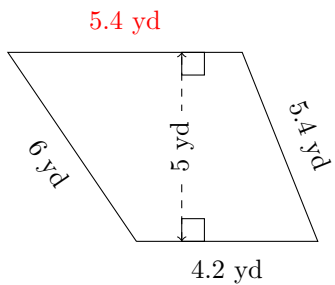
$P = 68.8 \text{ ft}$
 $A = 276.48 \text{ ft}^2$

4.



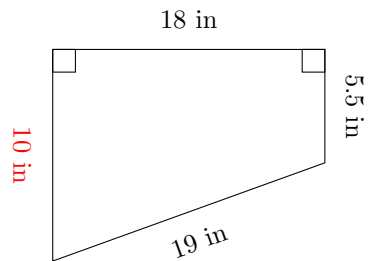
$P = 82.3 \text{ in}$
 $A = 357.72 \text{ in}^2$

5.



$P = 21 \text{ yd}$
 $A = 24 \text{ yd}^2$

6.



$P = 52.5 \text{ in}$
 $A = 139.5 \text{ in}^2$