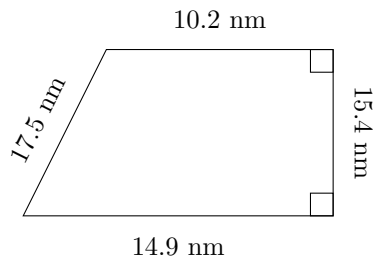


Area and Perimeter of Trapezoids (E)

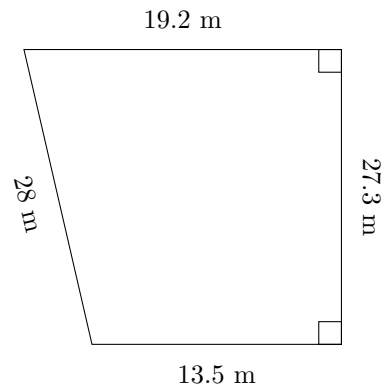
Calculate the perimeter and area for each trapezoid.

1.



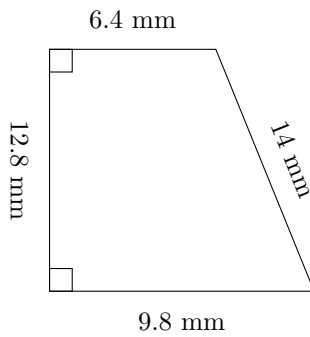
P = ?
A = ?

2.



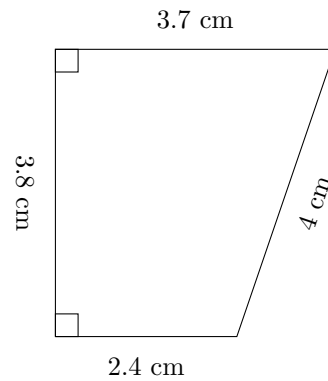
P = ?
A = ?

3.



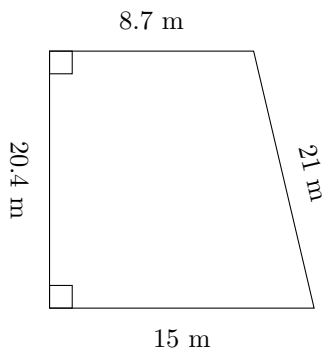
P = ?
A = ?

4.



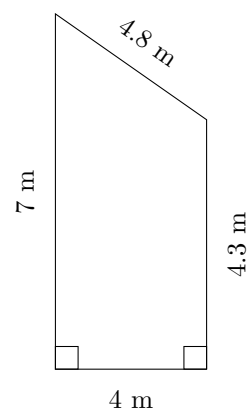
P = ?
A = ?

5.



P = ?
A = ?

6.

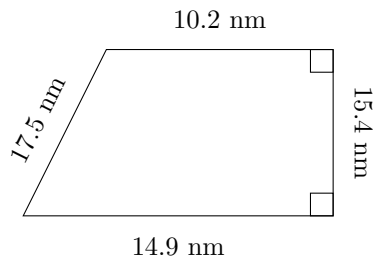


P = ?
A = ?

Area and Perimeter of Trapezoids (E) Answers

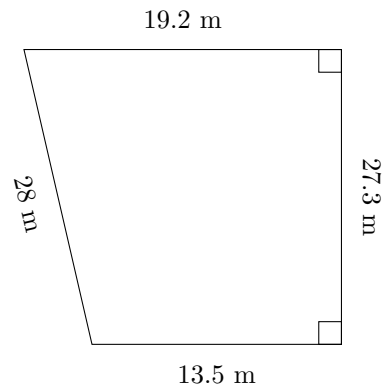
Calculate the perimeter and area for each trapezoid.

1.



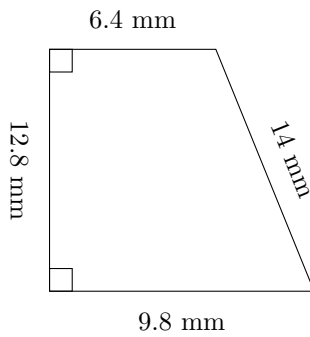
$$P = 58 \text{ mm}$$
$$A = 193.27 \text{ mm}^2$$

2.



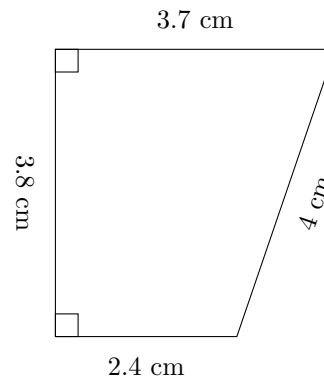
$$P = 88 \text{ m}$$
$$A = 446.355 \text{ m}^2$$

3.



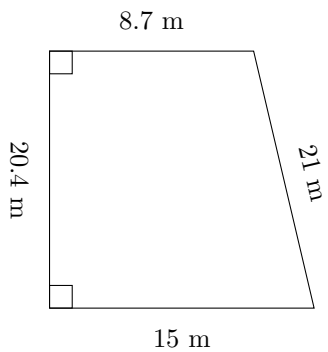
$$P = 43 \text{ mm}$$
$$A = 103.68 \text{ mm}^2$$

4.



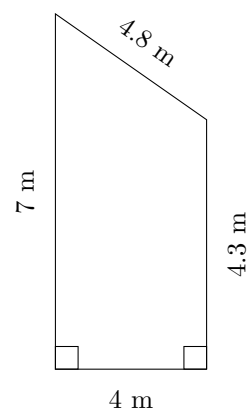
$$P = 13.9 \text{ cm}$$
$$A = 11.59 \text{ cm}^2$$

5.



$$P = 65.1 \text{ m}$$
$$A = 241.74 \text{ m}^2$$

6.



$$P = 20.1 \text{ m}$$
$$A = 22.6 \text{ m}^2$$