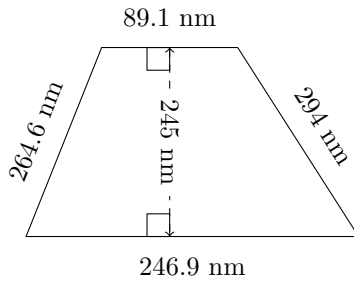


Area and Perimeter of Trapezoids (A)

Calculate the perimeter and area for each trapezoid.

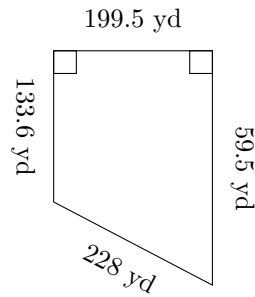
1.



$P = ?$

$A = ?$

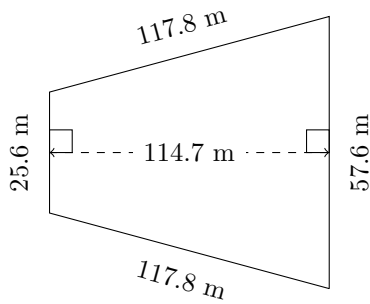
2.



$P = ?$

$A = ?$

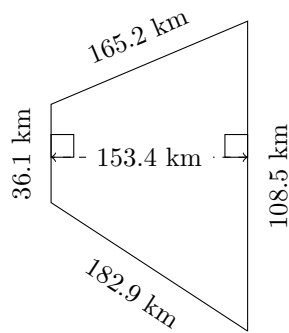
3.



$P = ?$

$A = ?$

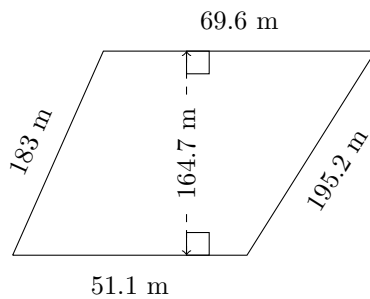
4.



$P = ?$

$A = ?$

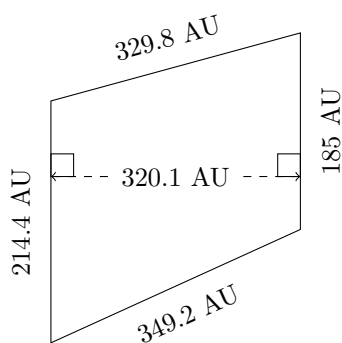
5.



$P = ?$

$A = ?$

6.



$P = ?$

$A = ?$