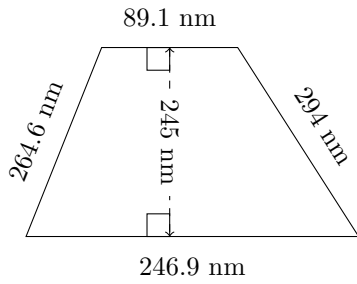


Area and Perimeter of Trapezoids (A)

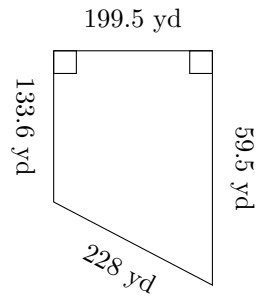
Calculate the perimeter and area for each trapezoid.

1.



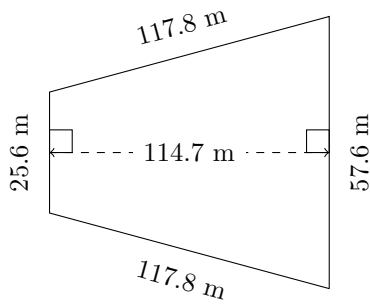
P = ?
A = ?

2.



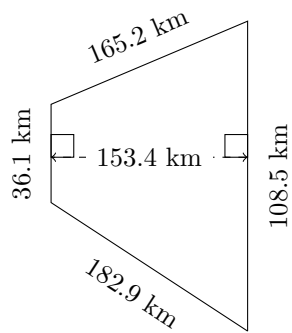
P = ?
A = ?

3.



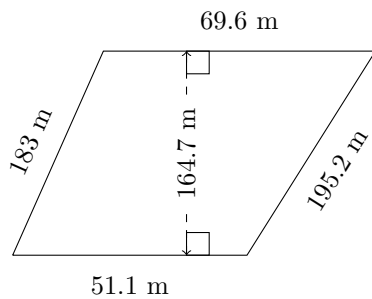
P = ?
A = ?

4.



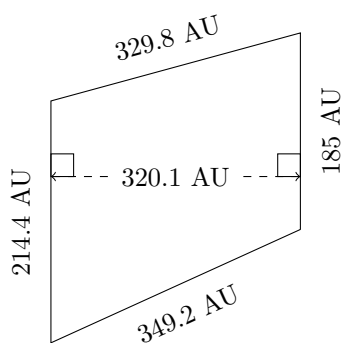
P = ?
A = ?

5.



P = ?
A = ?

6.

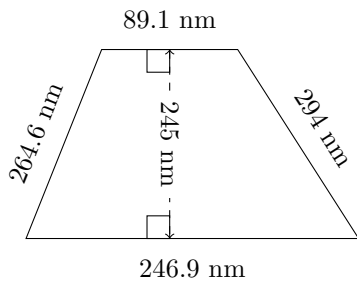


P = ?
A = ?

Area and Perimeter of Trapezoids (A) Answers

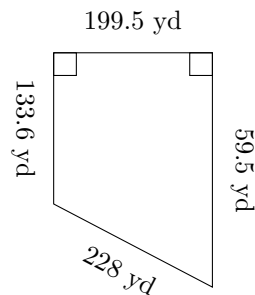
Calculate the perimeter and area for each trapezoid.

1.



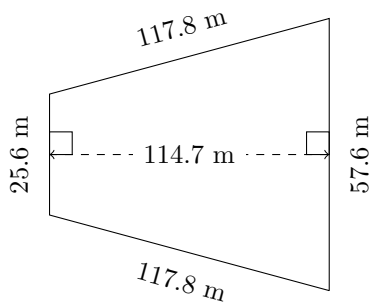
$P = 894.6 \text{ nm}$
 $A = 41,160 \text{ nm}^2$

2.



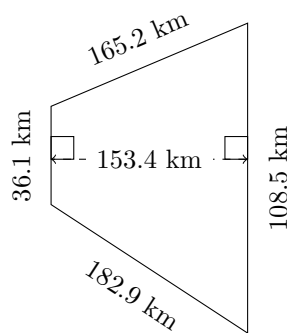
$P = 620.6 \text{ yd}$
 $A = 19,261.725 \text{ yd}^2$

3.



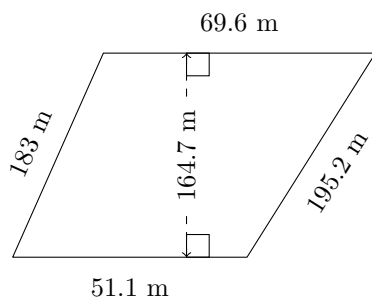
$P = 318.8 \text{ m}$
 $A = 4771.52 \text{ m}^2$

4.



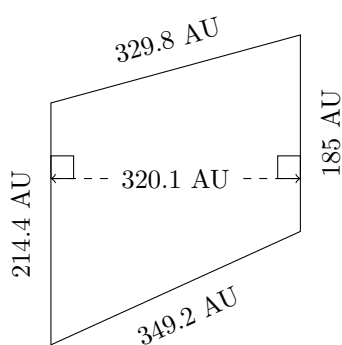
$P = 492.7 \text{ km}$
 $A = 11,090.82 \text{ km}^2$

5.



$P = 498.9 \text{ m}$
 $A = 9939.645 \text{ m}^2$

6.



$P = 1078.4 \text{ AU}$
 $A = 63,923.97 \text{ AU}^2$