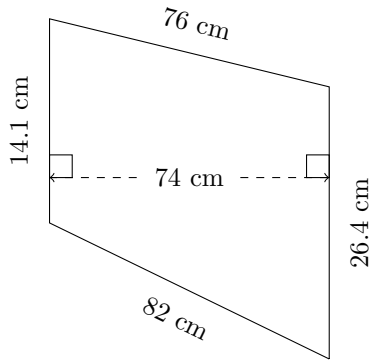


# Area and Perimeter of Trapezoids (A)

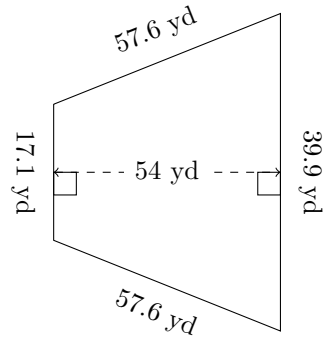
Calculate the perimeter and area for each trapezoid.

1.



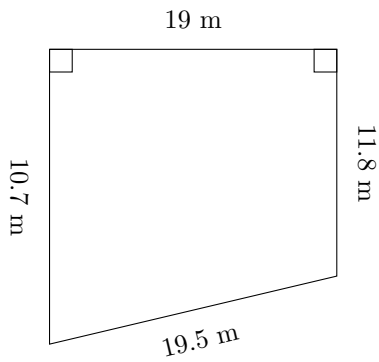
P = ?  
A = ?

2.



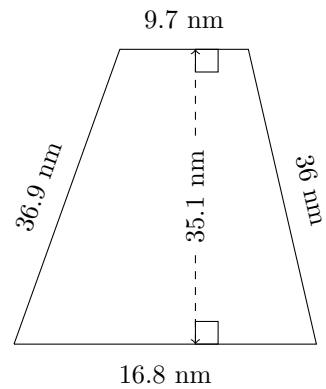
P = ?  
A = ?

3.



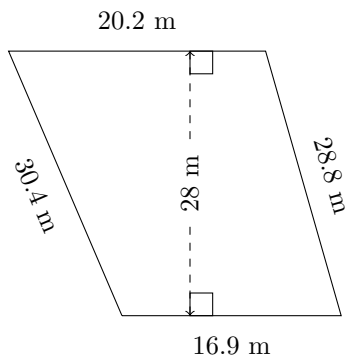
P = ?  
A = ?

4.



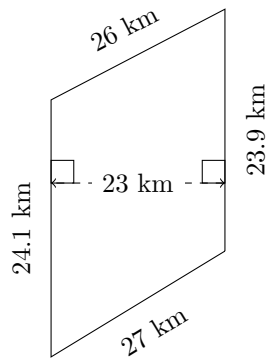
P = ?  
A = ?

5.



P = ?  
A = ?

6.

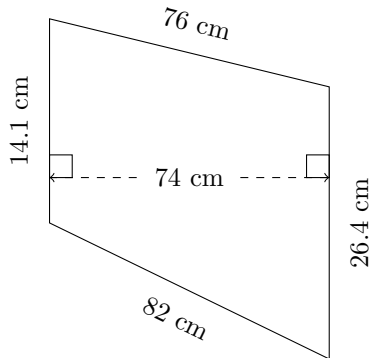


P = ?  
A = ?

# Area and Perimeter of Trapezoids (A) Answers

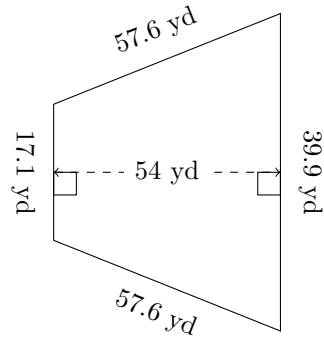
Calculate the perimeter and area for each trapezoid.

1.



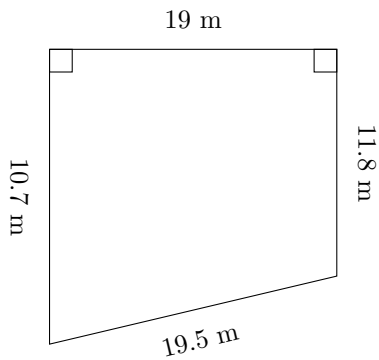
$P = 198.5 \text{ cm}$   
 $A = 1498.5 \text{ cm}^2$

2.



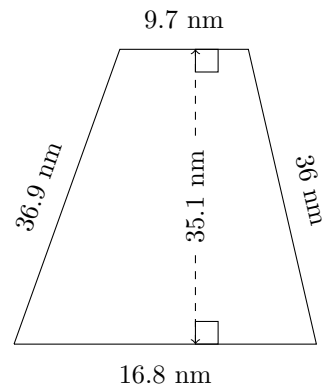
$P = 172.2 \text{ yd}$   
 $A = 1539 \text{ yd}^2$

3.



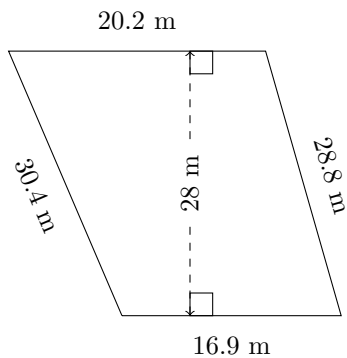
$P = 61 \text{ m}$   
 $A = 213.75 \text{ m}^2$

4.



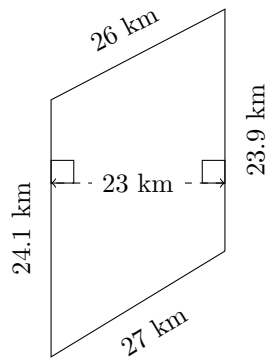
$P = 99.4 \text{ mm}$   
 $A = 465.075 \text{ mm}^2$

5.



$P = 96.3 \text{ m}$   
 $A = 519.4 \text{ m}^2$

6.

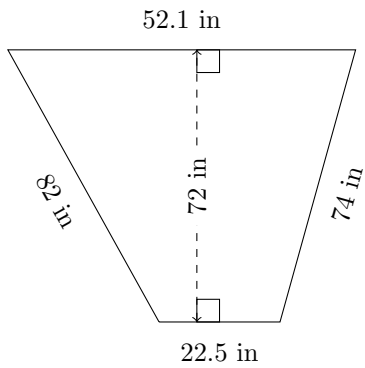


$P = 101 \text{ km}$   
 $A = 552 \text{ km}^2$

# Area and Perimeter of Trapezoids (B)

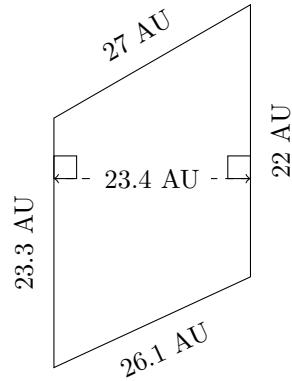
Calculate the perimeter and area for each trapezoid.

1.



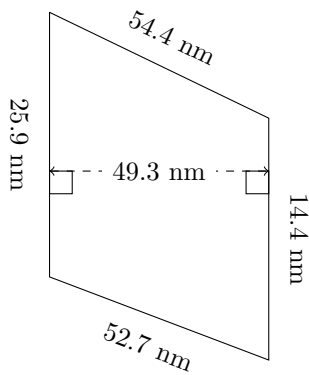
P = ?  
A = ?

2.



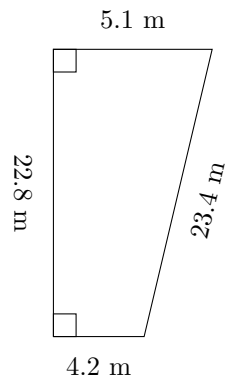
P = ?  
A = ?

3.



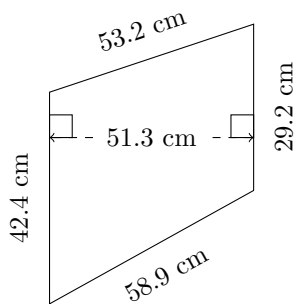
P = ?  
A = ?

4.



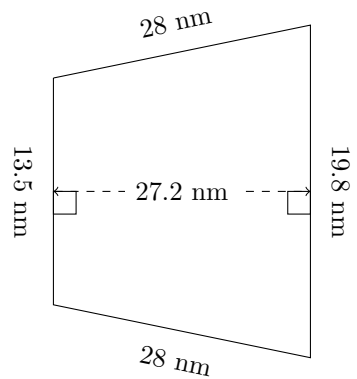
P = ?  
A = ?

5.



P = ?  
A = ?

6.

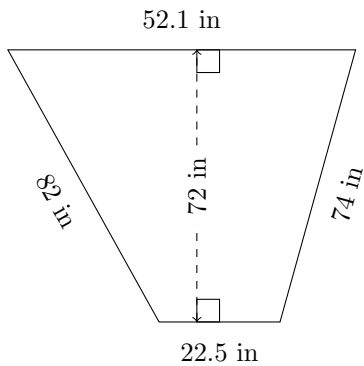


P = ?  
A = ?

# Area and Perimeter of Trapezoids (B) Answers

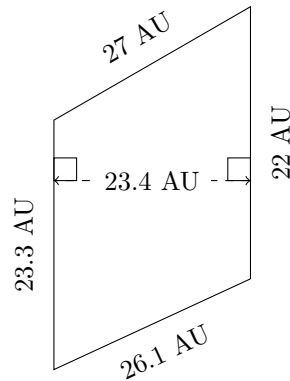
Calculate the perimeter and area for each trapezoid.

1.



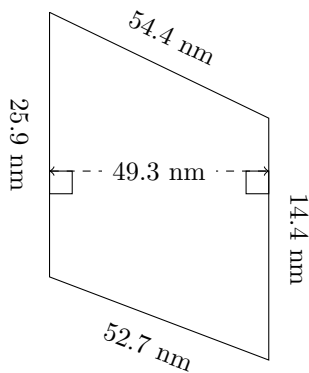
$P = 230.6 \text{ in}$   
 $A = 2685.6 \text{ in}^2$

2.



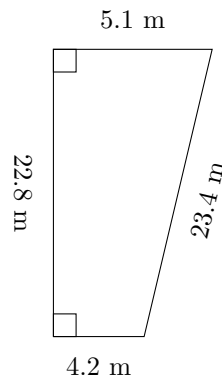
$P = 98.4 \text{ AU}$   
 $A = 530.01 \text{ AU}^2$

3.



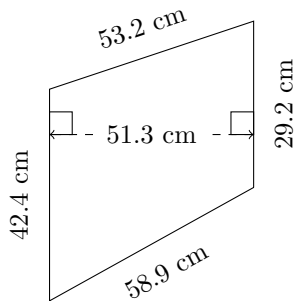
$P = 147.4 \text{ nm}$   
 $A = 993.395 \text{ nm}^2$

4.



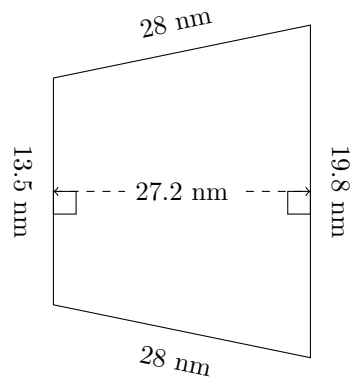
$P = 55.5 \text{ m}$   
 $A = 106.02 \text{ m}^2$

5.



$P = 183.7 \text{ cm}$   
 $A = 1836.54 \text{ cm}^2$

6.

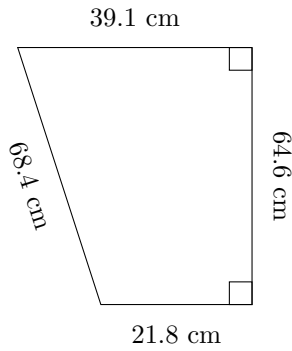


$P = 89.3 \text{ nm}$   
 $A = 452.88 \text{ nm}^2$

# Area and Perimeter of Trapezoids (C)

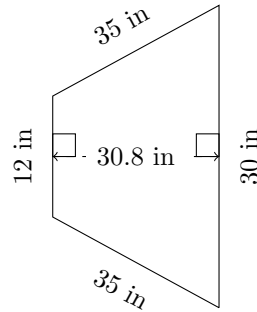
Calculate the perimeter and area for each trapezoid.

1.



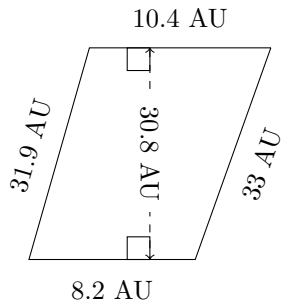
P = ?  
A = ?

2.



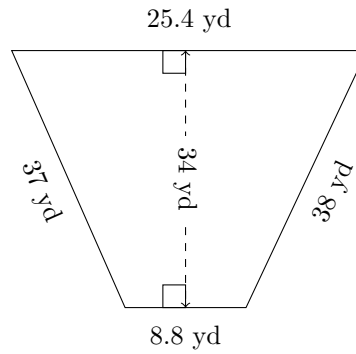
P = ?  
A = ?

3.



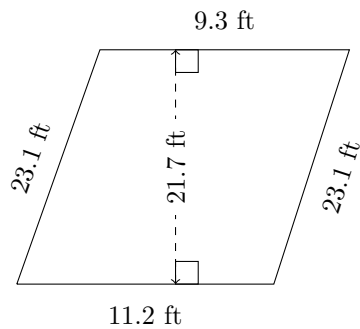
P = ?  
A = ?

4.



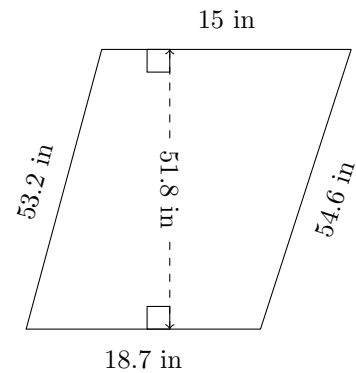
P = ?  
A = ?

5.



P = ?  
A = ?

6.

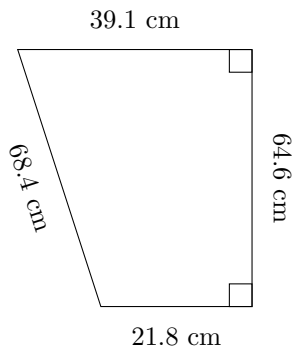


P = ?  
A = ?

# Area and Perimeter of Trapezoids (C) Answers

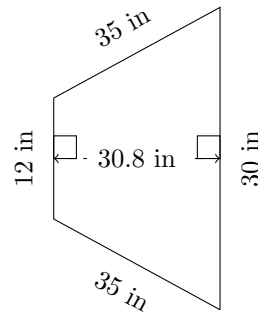
Calculate the perimeter and area for each trapezoid.

1.



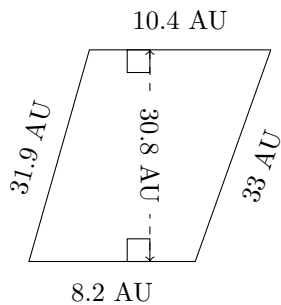
$P = 193.9 \text{ cm}$   
 $A = 1967.07 \text{ cm}^2$

2.



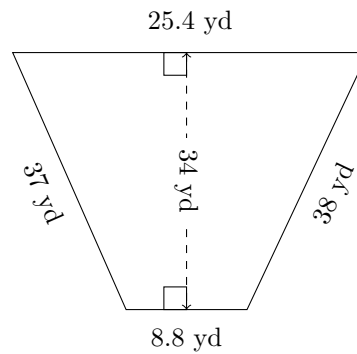
$P = 112 \text{ in}$   
 $A = 646.8 \text{ in}^2$

3.



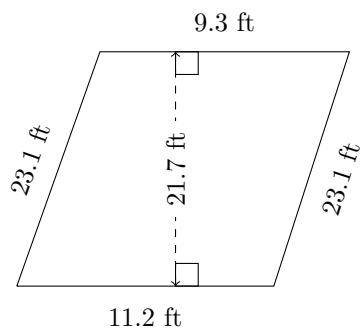
$P = 83.5 \text{ AU}$   
 $A = 286.44 \text{ AU}^2$

4.



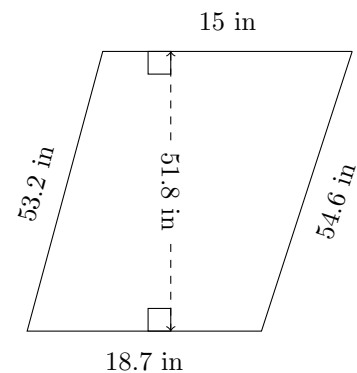
$P = 109.2 \text{ yd}$   
 $A = 581.4 \text{ yd}^2$

5.



$P = 66.7 \text{ ft}$   
 $A = 222.425 \text{ ft}^2$

6.

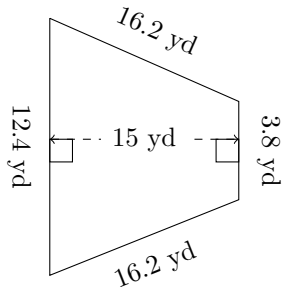


$P = 141.5 \text{ in}$   
 $A = 872.83 \text{ in}^2$

# Area and Perimeter of Trapezoids (D)

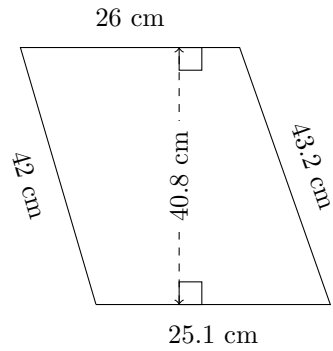
Calculate the perimeter and area for each trapezoid.

1.



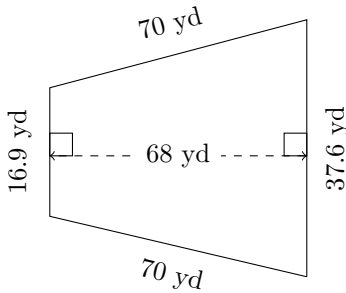
P = ?  
A = ?

2.



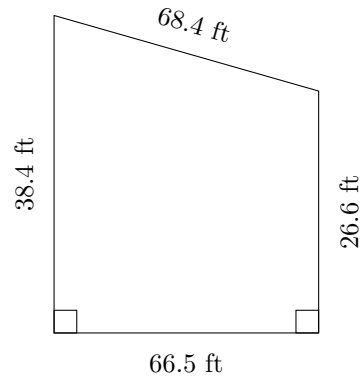
P = ?  
A = ?

3.



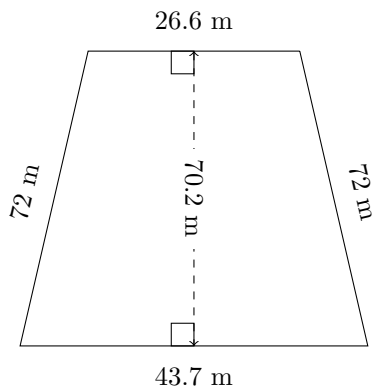
P = ?  
A = ?

4.



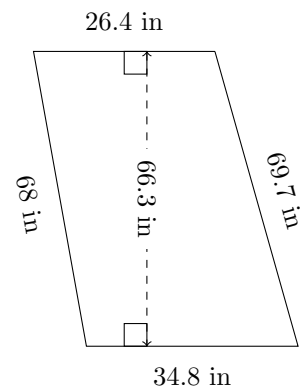
P = ?  
A = ?

5.



P = ?  
A = ?

6.

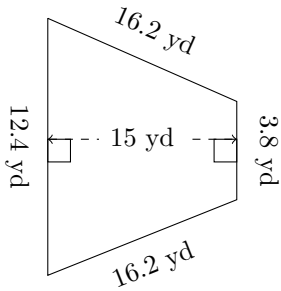


P = ?  
A = ?

# Area and Perimeter of Trapezoids (D) Answers

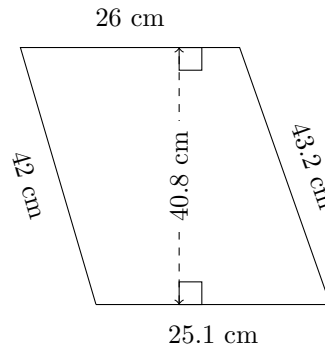
Calculate the perimeter and area for each trapezoid.

1.



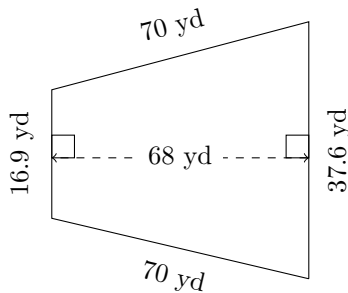
$P = 48.6 \text{ yd}$   
 $A = 121.5 \text{ yd}^2$

2.



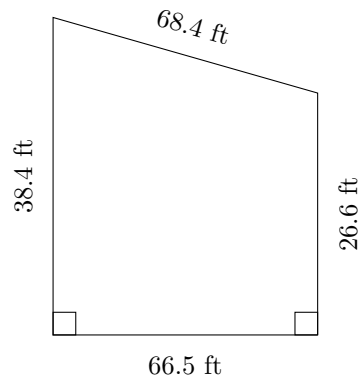
$P = 136.3 \text{ cm}$   
 $A = 1042.44 \text{ cm}^2$

3.



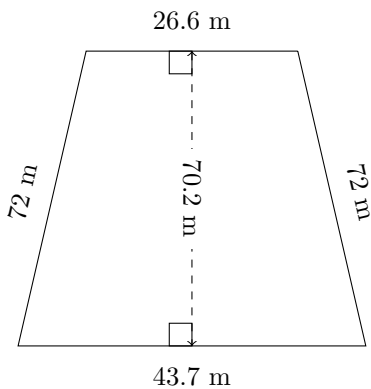
$P = 194.5 \text{ yd}$   
 $A = 1853 \text{ yd}^2$

4.



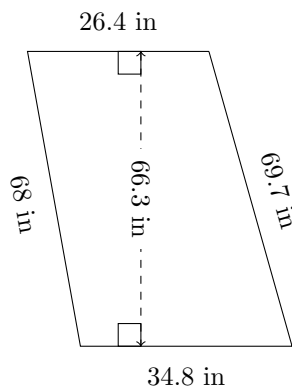
$P = 199.9 \text{ ft}$   
 $A = 2161.25 \text{ ft}^2$

5.



$P = 214.3 \text{ m}$   
 $A = 2467.53 \text{ m}^2$

6.



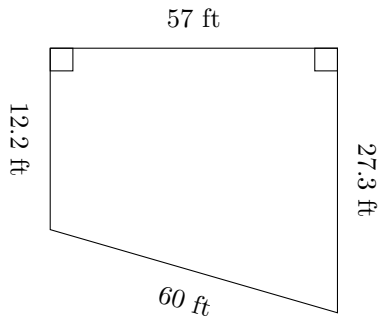
$P = 198.9 \text{ in}$   
 $A = 2028.78 \text{ in}^2$



# Area and Perimeter of Trapezoids (E)

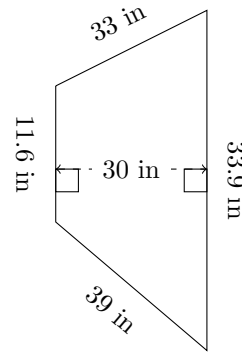
Calculate the perimeter and area for each trapezoid.

1.



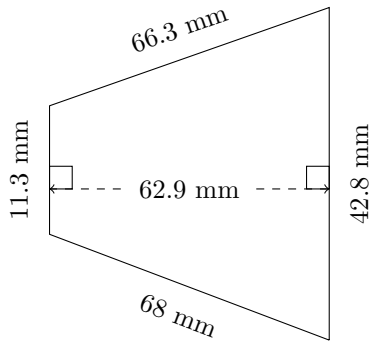
P = ?  
A = ?

2.



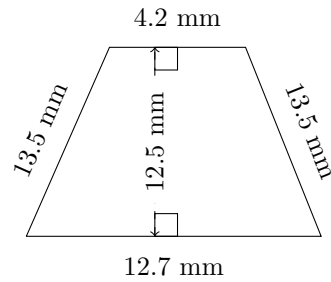
P = ?  
A = ?

3.



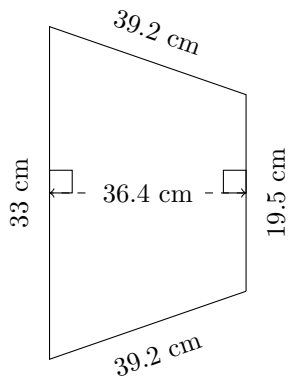
P = ?  
A = ?

4.



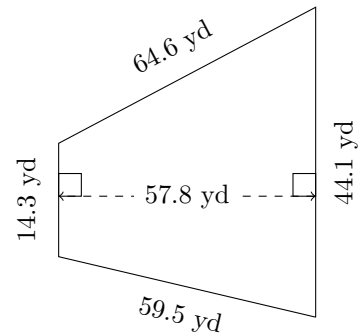
P = ?  
A = ?

5.



P = ?  
A = ?

6.

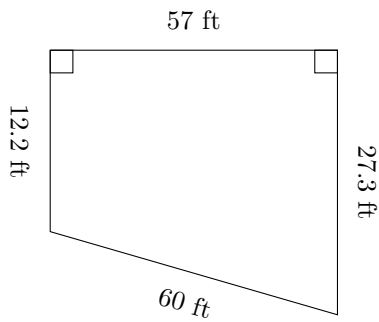


P = ?  
A = ?

# Area and Perimeter of Trapezoids (E) Answers

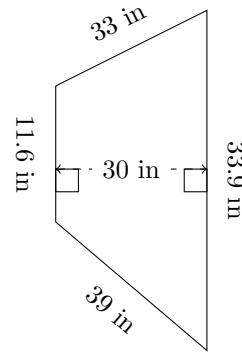
Calculate the perimeter and area for each trapezoid.

1.



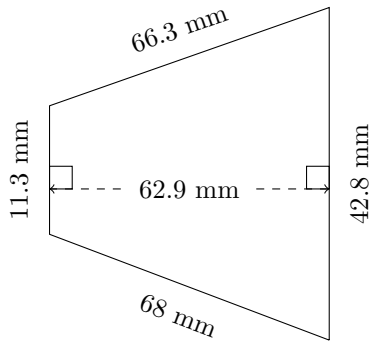
$P = 156.5 \text{ ft}$   
 $A = 1125.75 \text{ ft}^2$

2.



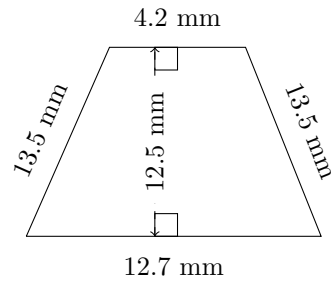
$P = 117.5 \text{ in}$   
 $A = 682.5 \text{ in}^2$

3.



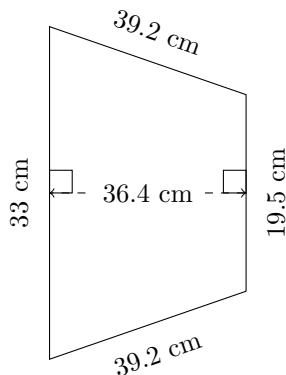
$P = 188.4 \text{ mm}$   
 $A = 1701.445 \text{ mm}^2$

4.



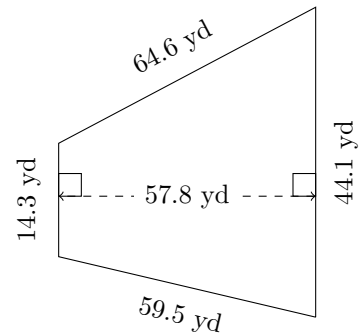
$P = 43.9 \text{ mm}$   
 $A = 105.625 \text{ mm}^2$

5.



$P = 130.9 \text{ cm}$   
 $A = 955.5 \text{ cm}^2$

6.

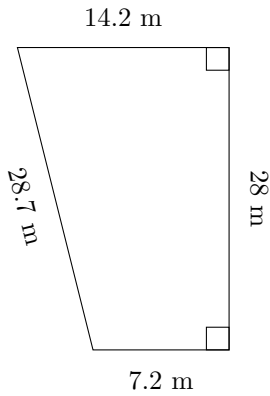


$P = 182.5 \text{ yd}$   
 $A = 1687.76 \text{ yd}^2$

# Area and Perimeter of Trapezoids (F)

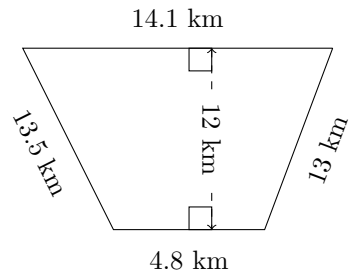
Calculate the perimeter and area for each trapezoid.

1.



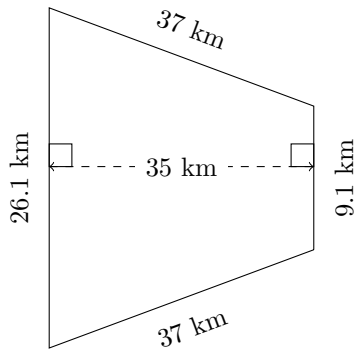
P = ?  
A = ?

2.



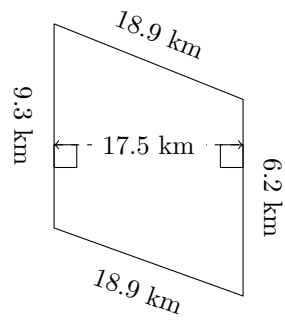
P = ?  
A = ?

3.



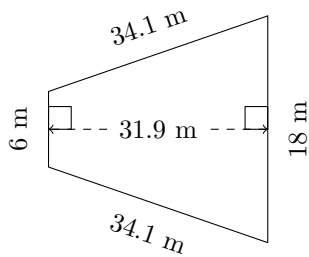
P = ?  
A = ?

4.



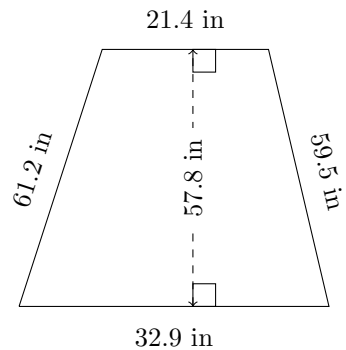
P = ?  
A = ?

5.



P = ?  
A = ?

6.

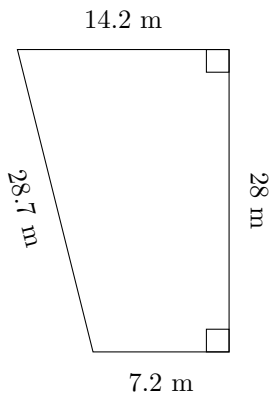


P = ?  
A = ?

# Area and Perimeter of Trapezoids (F) Answers

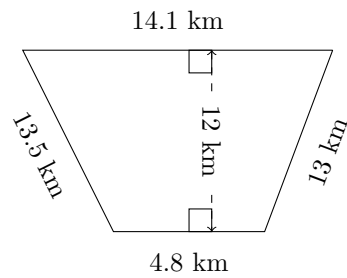
Calculate the perimeter and area for each trapezoid.

1.



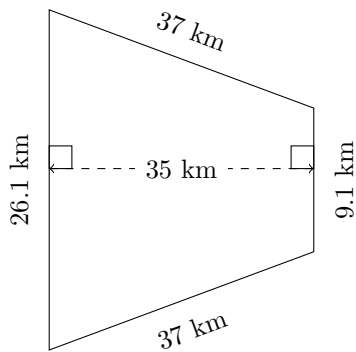
$P = 78.1 \text{ m}$   
 $A = 299.6 \text{ m}^2$

2.



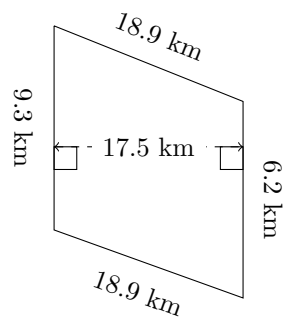
$P = 45.4 \text{ km}$   
 $A = 113.4 \text{ km}^2$

3.



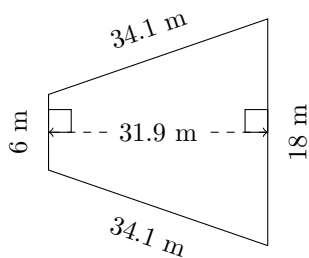
$P = 109.2 \text{ km}$   
 $A = 616 \text{ km}^2$

4.



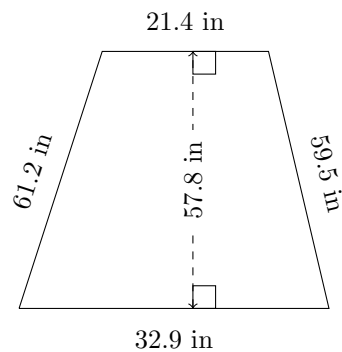
$P = 53.3 \text{ km}$   
 $A = 135.625 \text{ km}^2$

5.



$P = 92.2 \text{ m}$   
 $A = 382.8 \text{ m}^2$

6.

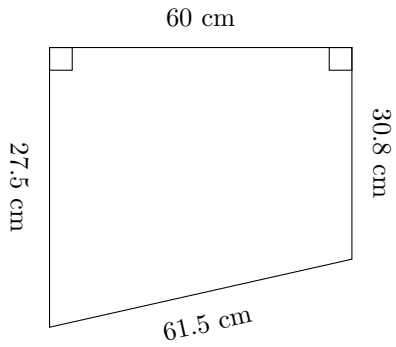


$P = 175 \text{ in}$   
 $A = 1569.27 \text{ in}^2$

# Area and Perimeter of Trapezoids (G)

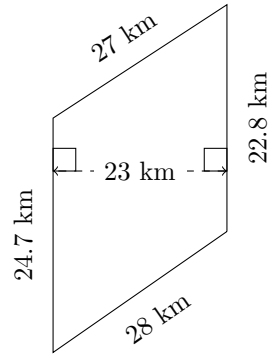
Calculate the perimeter and area for each trapezoid.

1.



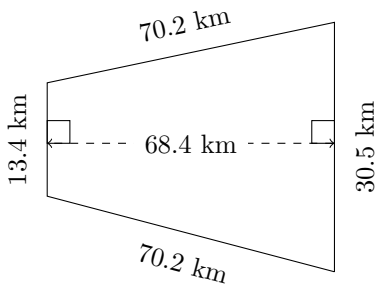
P = ?  
A = ?

2.



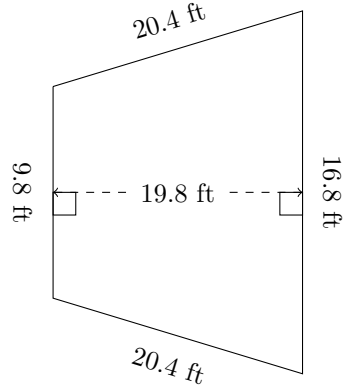
P = ?  
A = ?

3.



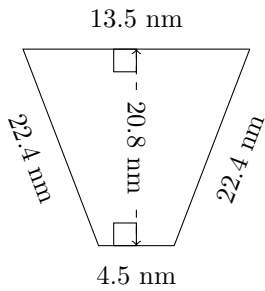
P = ?  
A = ?

4.



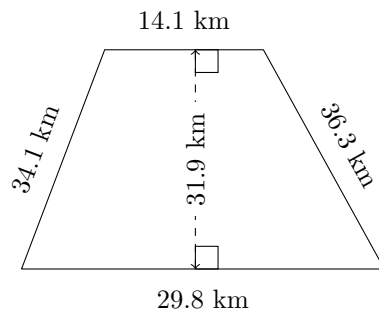
P = ?  
A = ?

5.



P = ?  
A = ?

6.

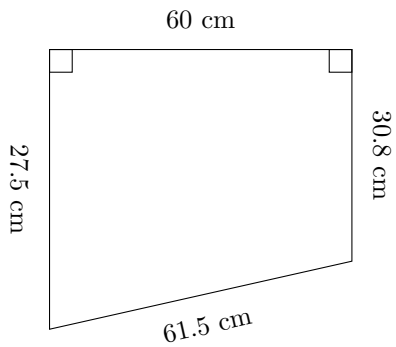


P = ?  
A = ?

# Area and Perimeter of Trapezoids (G) Answers

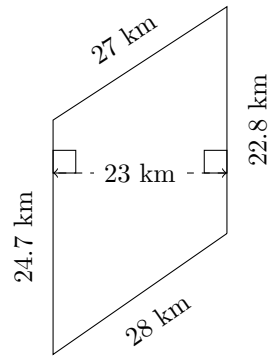
Calculate the perimeter and area for each trapezoid.

1.



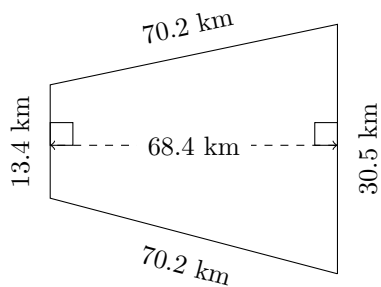
$P = 179.8 \text{ cm}$   
 $A = 1749 \text{ cm}^2$

2.



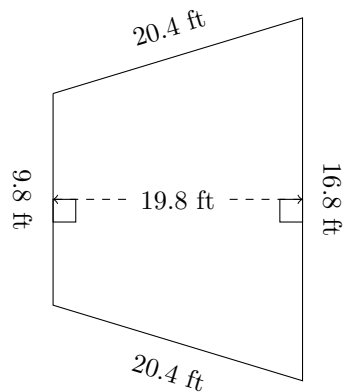
$P = 102.5 \text{ km}$   
 $A = 546.25 \text{ km}^2$

3.



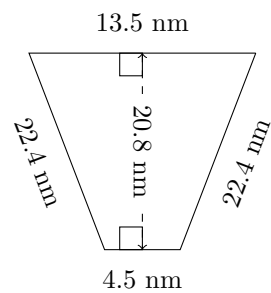
$P = 184.3 \text{ km}$   
 $A = 1501.38 \text{ km}^2$

4.



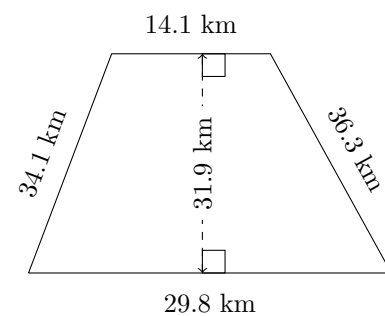
$P = 67.4 \text{ ft}$   
 $A = 263.34 \text{ ft}^2$

5.



$P = 62.8 \text{ nm}$   
 $A = 187.2 \text{ nm}^2$

6.

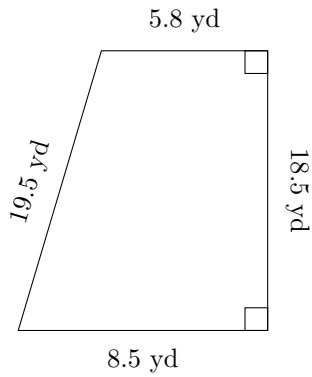


$P = 114.3 \text{ km}$   
 $A = 700.205 \text{ km}^2$

# Area and Perimeter of Trapezoids (H)

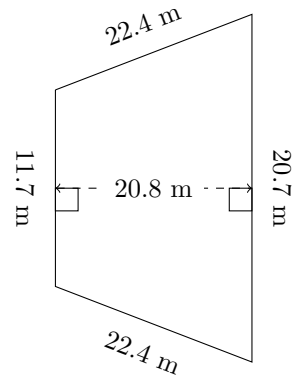
Calculate the perimeter and area for each trapezoid.

1.



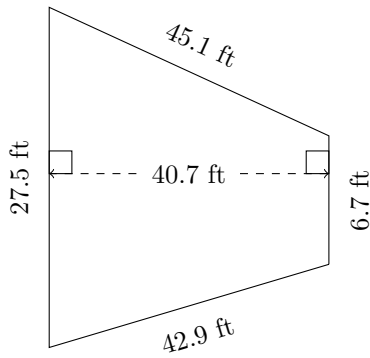
$P = ?$   
 $A = ?$

2.



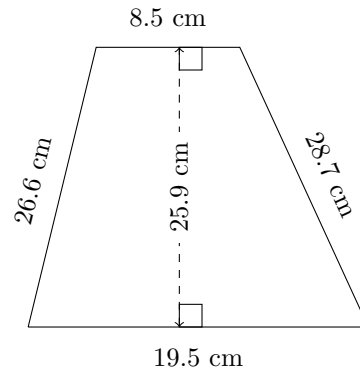
$P = ?$   
 $A = ?$

3.



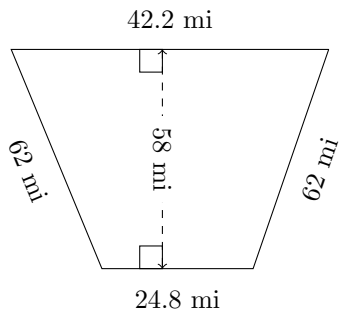
$P = ?$   
 $A = ?$

4.



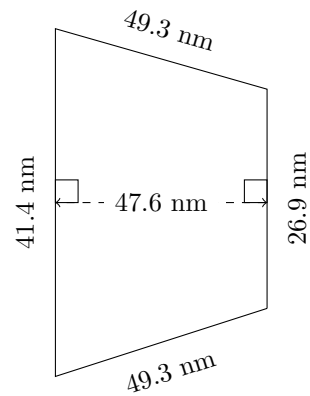
$P = ?$   
 $A = ?$

5.



$P = ?$   
 $A = ?$

6.

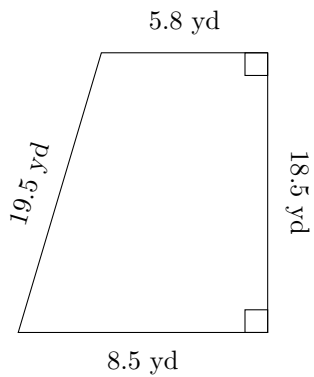


$P = ?$   
 $A = ?$

# Area and Perimeter of Trapezoids (H) Answers

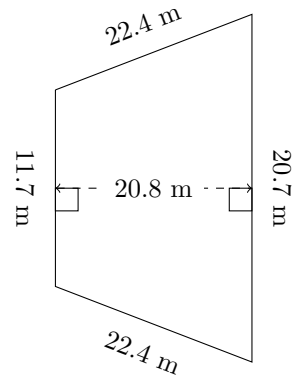
Calculate the perimeter and area for each trapezoid.

1.



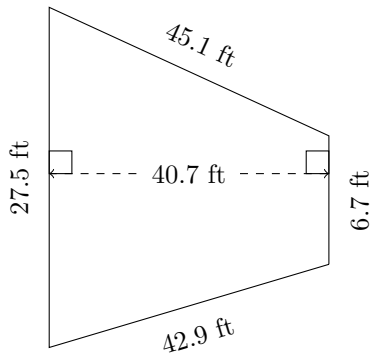
$P = 52.3 \text{ yd}$   
 $A = 132.275 \text{ yd}^2$

2.



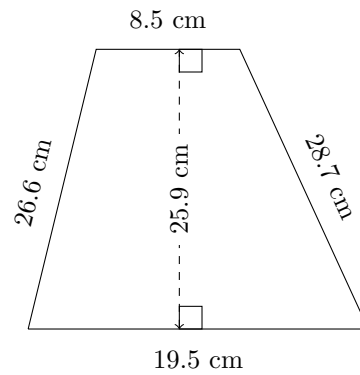
$P = 77.2 \text{ m}$   
 $A = 336.96 \text{ m}^2$

3.



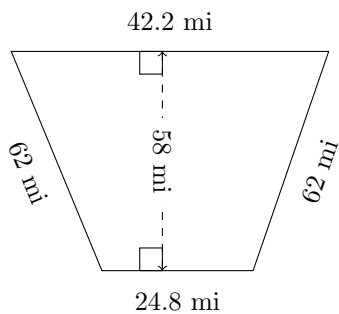
$P = 122.2 \text{ ft}$   
 $A = 695.97 \text{ ft}^2$

4.



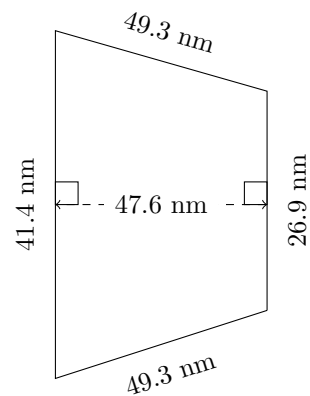
$P = 83.3 \text{ cm}$   
 $A = 362.6 \text{ cm}^2$

5.



$P = 191 \text{ mi}$   
 $A = 1943 \text{ mi}^2$

6.



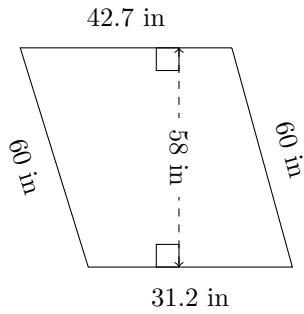
$P = 166.9 \text{ nm}$   
 $A = 1625.54 \text{ nm}^2$



# Area and Perimeter of Trapezoids (I)

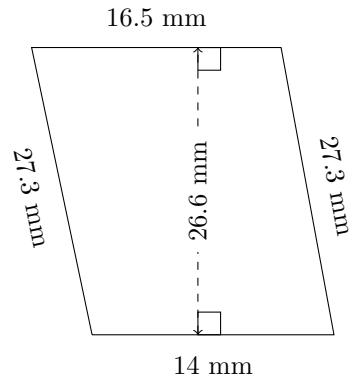
Calculate the perimeter and area for each trapezoid.

1.



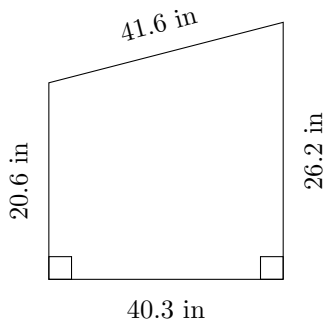
P = ?  
A = ?

2.



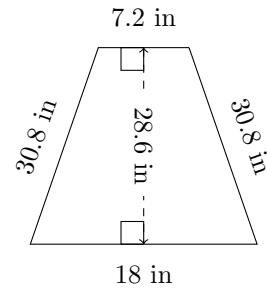
P = ?  
A = ?

3.



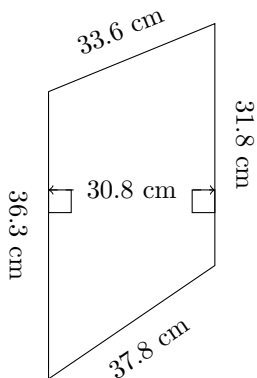
P = ?  
A = ?

4.



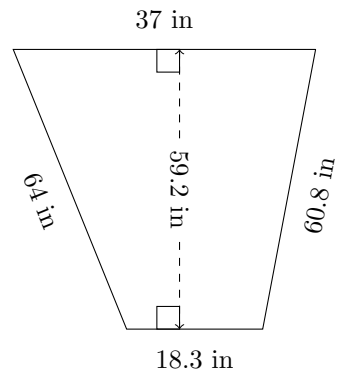
P = ?  
A = ?

5.



P = ?  
A = ?

6.

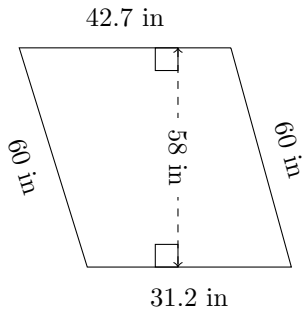


P = ?  
A = ?

# Area and Perimeter of Trapezoids (I) Answers

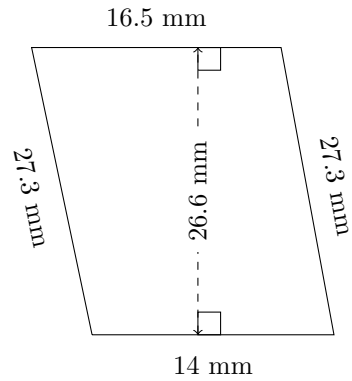
Calculate the perimeter and area for each trapezoid.

1.



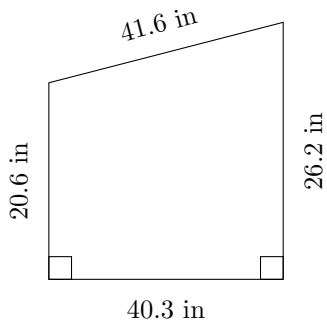
$P = 193.9 \text{ in}$   
 $A = 2143.1 \text{ in}^2$

2.



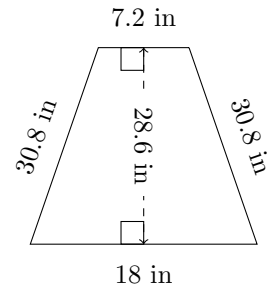
$P = 85.1 \text{ mm}$   
 $A = 405.65 \text{ mm}^2$

3.



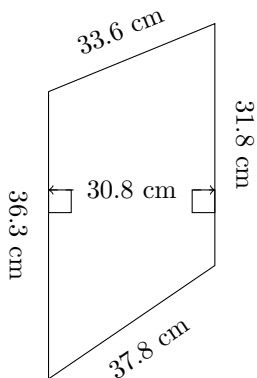
$P = 128.7 \text{ in}$   
 $A = 943.02 \text{ in}^2$

4.



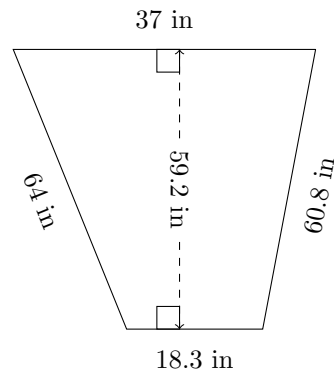
$P = 86.8 \text{ in}$   
 $A = 360.36 \text{ in}^2$

5.



$P = 139.5 \text{ cm}$   
 $A = 1048.74 \text{ cm}^2$

6.

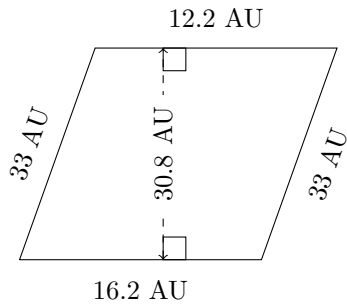


$P = 180.1 \text{ in}$   
 $A = 1636.88 \text{ in}^2$

# Area and Perimeter of Trapezoids (J)

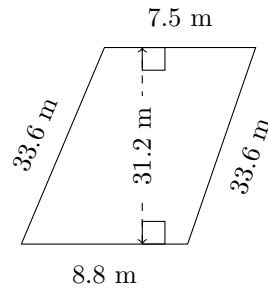
Calculate the perimeter and area for each trapezoid.

1.



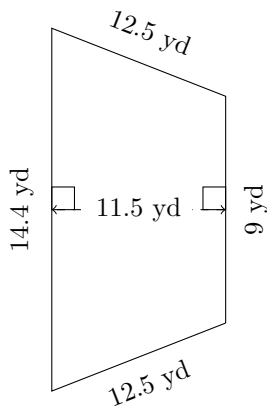
$P = ?$   
 $A = ?$

2.



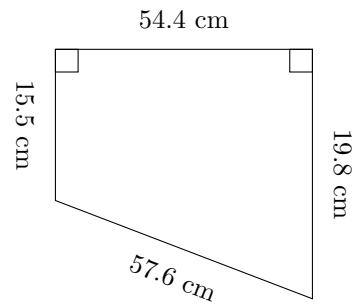
$P = ?$   
 $A = ?$

3.



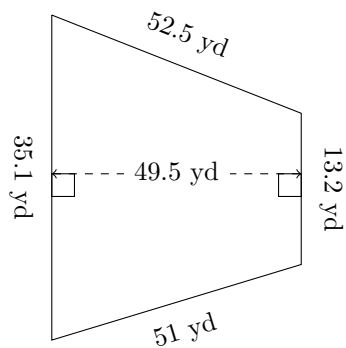
$P = ?$   
 $A = ?$

4.



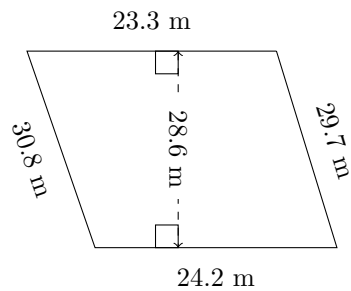
$P = ?$   
 $A = ?$

5.



$P = ?$   
 $A = ?$

6.

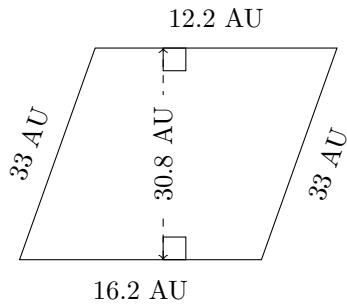


$P = ?$   
 $A = ?$

# Area and Perimeter of Trapezoids (J) Answers

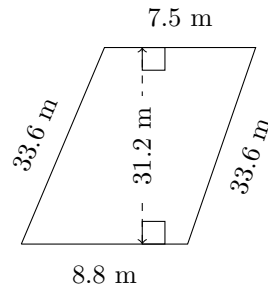
Calculate the perimeter and area for each trapezoid.

1.



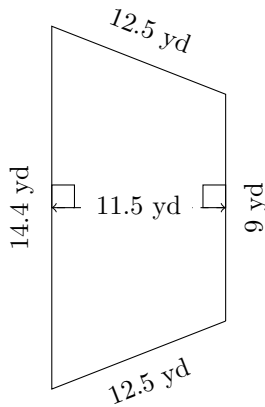
$P = 94.4 \text{ AU}$   
 $A = 437.36 \text{ AU}^2$

2.



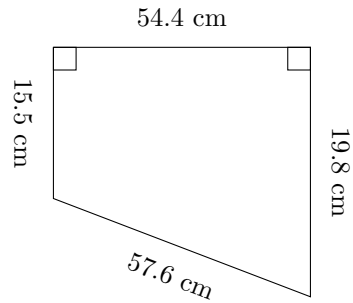
$P = 83.5 \text{ m}$   
 $A = 254.28 \text{ m}^2$

3.



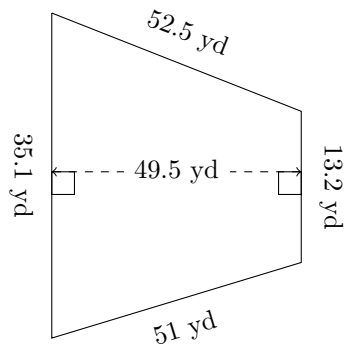
$P = 48.4 \text{ yd}$   
 $A = 134.55 \text{ yd}^2$

4.



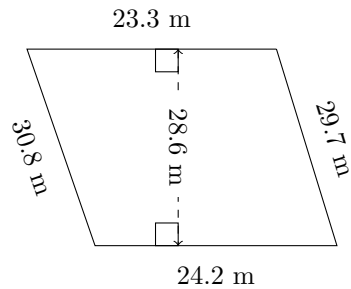
$P = 147.3 \text{ cm}$   
 $A = 960.16 \text{ cm}^2$

5.



$P = 151.8 \text{ yd}$   
 $A = 1195.425 \text{ yd}^2$

6.



$P = 108 \text{ m}$   
 $A = 679.25 \text{ m}^2$