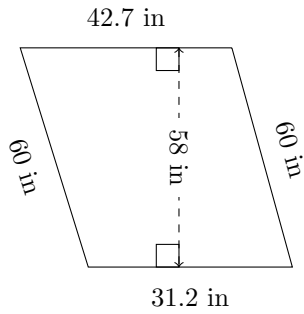


Area and Perimeter of Trapezoids (I)

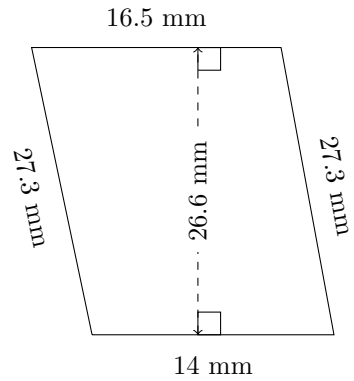
Calculate the perimeter and area for each trapezoid.

1.



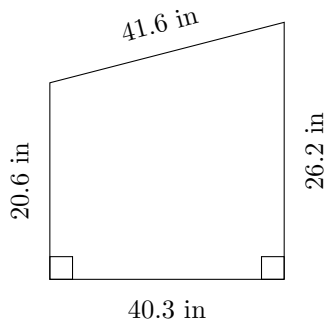
P = ?
A = ?

2.



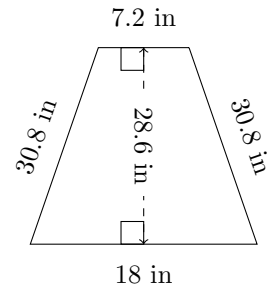
P = ?
A = ?

3.



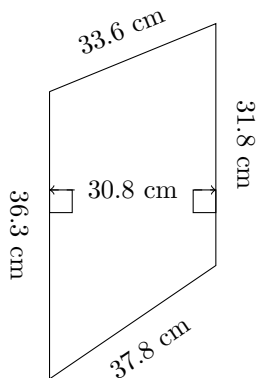
P = ?
A = ?

4.



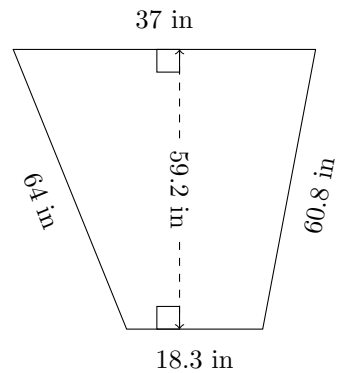
P = ?
A = ?

5.



P = ?
A = ?

6.

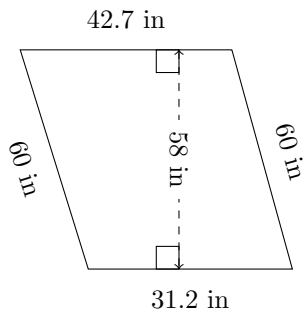


P = ?
A = ?

Area and Perimeter of Trapezoids (I) Answers

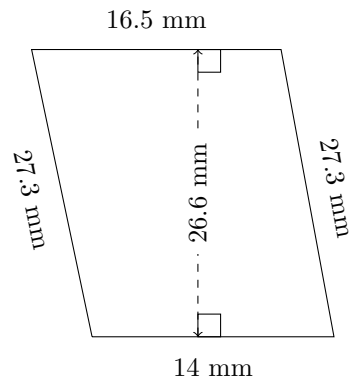
Calculate the perimeter and area for each trapezoid.

1.



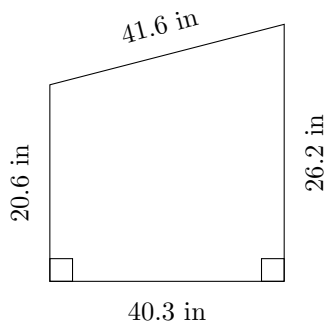
$P = 193.9 \text{ in}$
 $A = 2143.1 \text{ in}^2$

2.



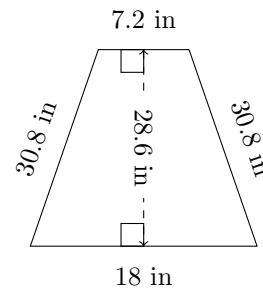
$P = 85.1 \text{ mm}$
 $A = 405.65 \text{ mm}^2$

3.



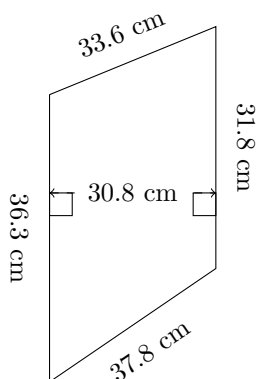
$P = 128.7 \text{ in}$
 $A = 943.02 \text{ in}^2$

4.



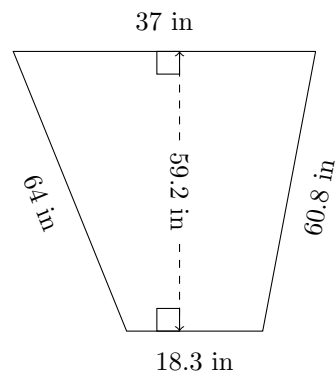
$P = 86.8 \text{ in}$
 $A = 360.36 \text{ in}^2$

5.



$P = 139.5 \text{ cm}$
 $A = 1048.74 \text{ cm}^2$

6.



$P = 180.1 \text{ in}$
 $A = 1636.88 \text{ in}^2$