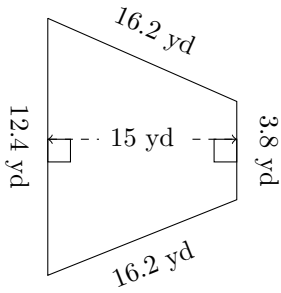


Area and Perimeter of Trapezoids (D)

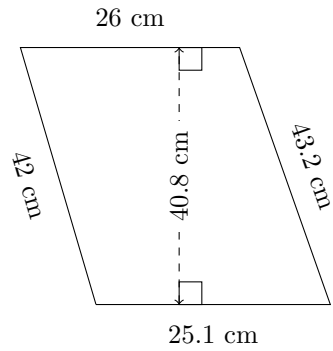
Calculate the perimeter and area for each trapezoid.

1.



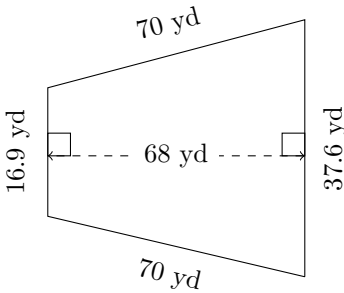
P = ?
A = ?

2.



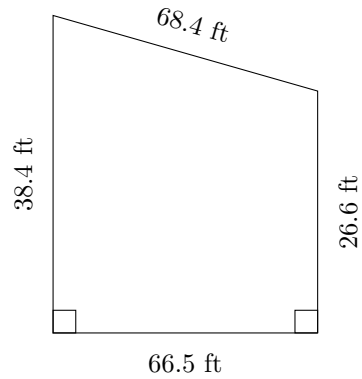
P = ?
A = ?

3.



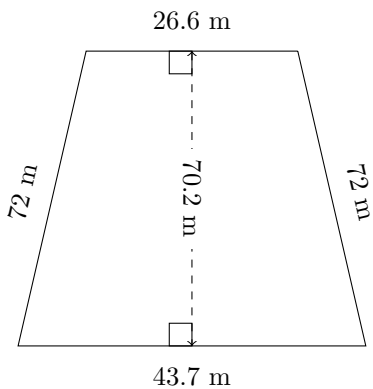
P = ?
A = ?

4.



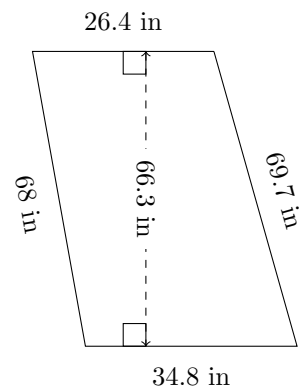
P = ?
A = ?

5.



P = ?
A = ?

6.

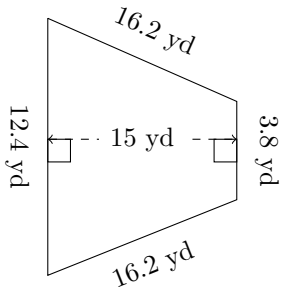


P = ?
A = ?

Area and Perimeter of Trapezoids (D) Answers

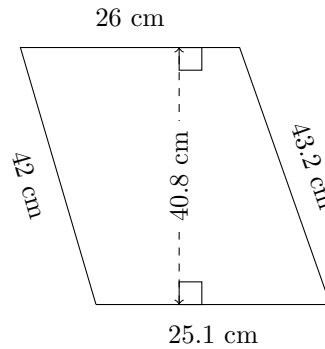
Calculate the perimeter and area for each trapezoid.

1.



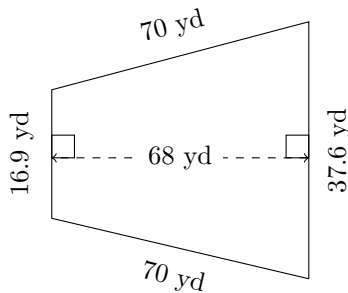
$P = 48.6 \text{ yd}$
 $A = 121.5 \text{ yd}^2$

2.



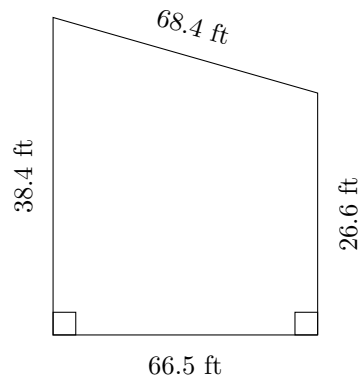
$P = 136.3 \text{ cm}$
 $A = 1042.44 \text{ cm}^2$

3.



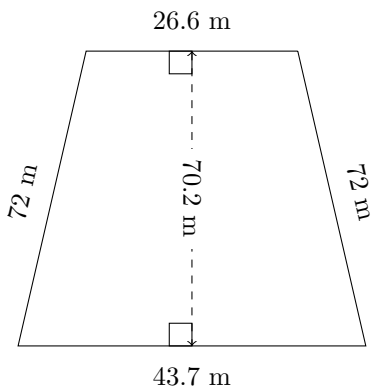
$P = 194.5 \text{ yd}$
 $A = 1853 \text{ yd}^2$

4.



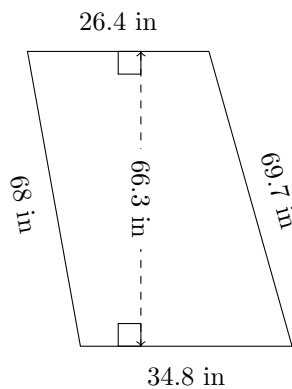
$P = 199.9 \text{ ft}$
 $A = 2161.25 \text{ ft}^2$

5.



$P = 214.3 \text{ m}$
 $A = 2467.53 \text{ m}^2$

6.



$P = 198.9 \text{ in}$
 $A = 2028.78 \text{ in}^2$