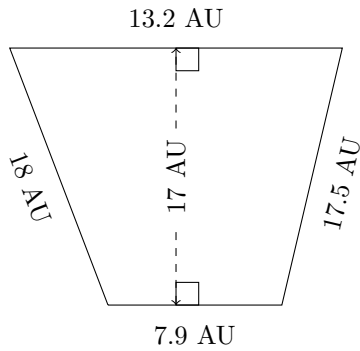


# Area and Perimeter of Trapezoids (A)

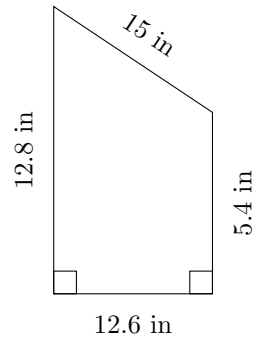
Calculate the perimeter and area for each trapezoid.

1.



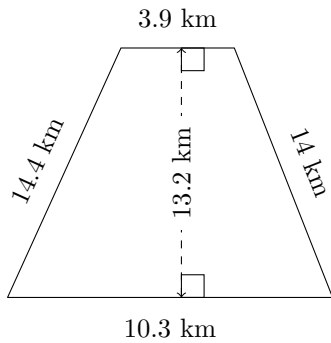
P = ?  
A = ?

2.



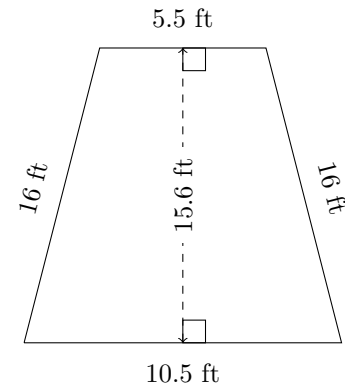
P = ?  
A = ?

3.



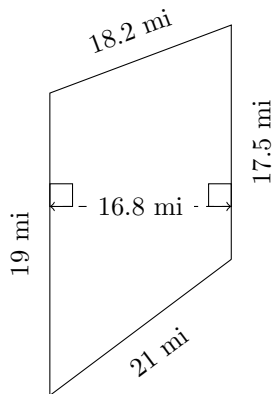
P = ?  
A = ?

4.



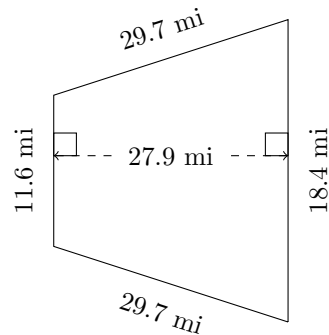
P = ?  
A = ?

5.



P = ?  
A = ?

6.

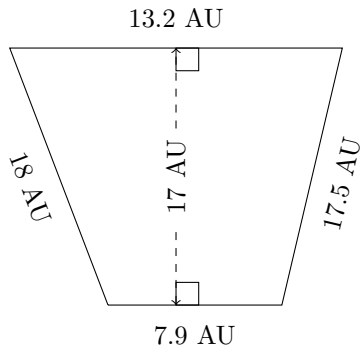


P = ?  
A = ?

# Area and Perimeter of Trapezoids (A) Answers

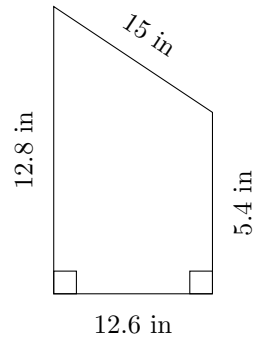
Calculate the perimeter and area for each trapezoid.

1.



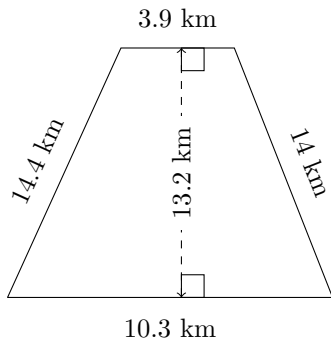
$P = 56.6 \text{ AU}$   
 $A = 179.35 \text{ AU}^2$

2.



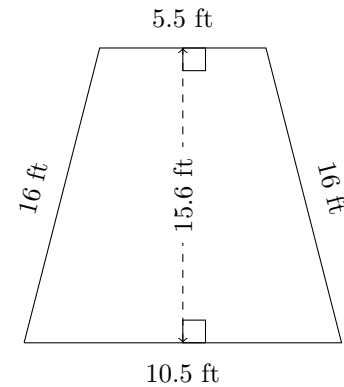
$P = 45.8 \text{ in}$   
 $A = 114.66 \text{ in}^2$

3.



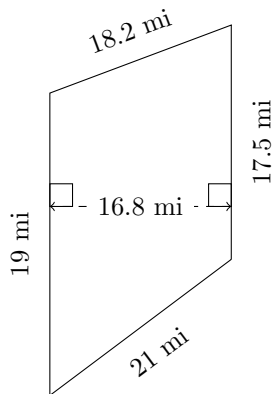
$P = 42.6 \text{ km}$   
 $A = 93.72 \text{ km}^2$

4.



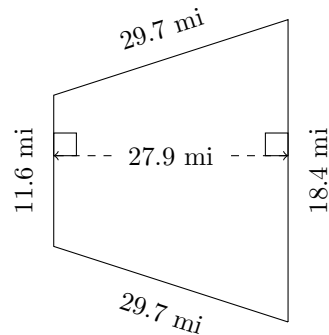
$P = 48 \text{ ft}$   
 $A = 124.8 \text{ ft}^2$

5.



$P = 75.7 \text{ mi}$   
 $A = 306.6 \text{ mi}^2$

6.

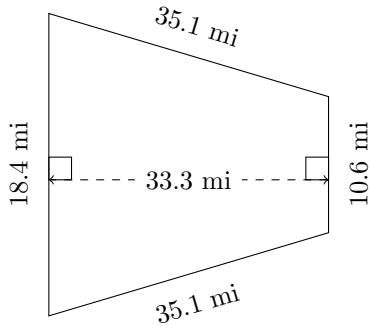


$P = 89.4 \text{ mi}$   
 $A = 418.5 \text{ mi}^2$

# Area and Perimeter of Trapezoids (B)

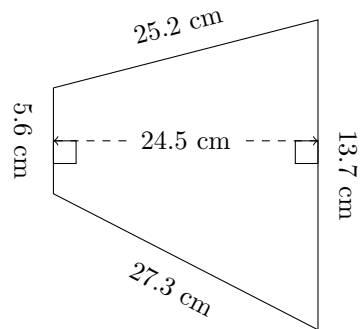
Calculate the perimeter and area for each trapezoid.

1.



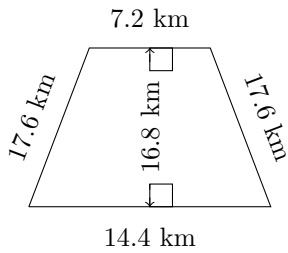
P = ?  
A = ?

2.



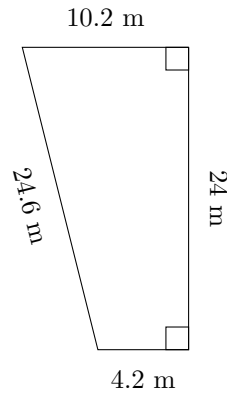
P = ?  
A = ?

3.



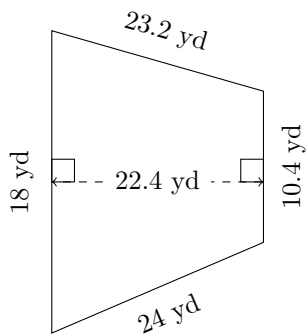
P = ?  
A = ?

4.



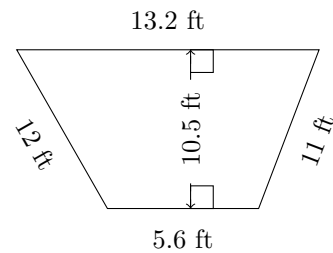
P = ?  
A = ?

5.



P = ?  
A = ?

6.

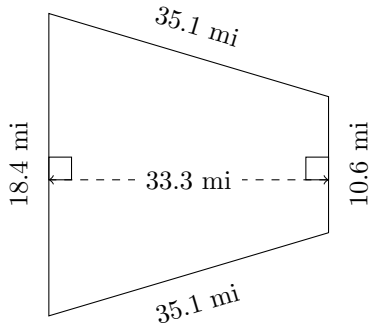


P = ?  
A = ?

# Area and Perimeter of Trapezoids (B) Answers

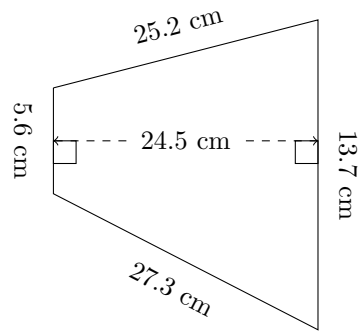
Calculate the perimeter and area for each trapezoid.

1.



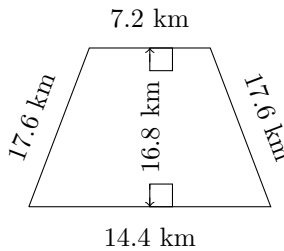
$P = 99.2 \text{ mi}$   
 $A = 482.85 \text{ mi}^2$

2.



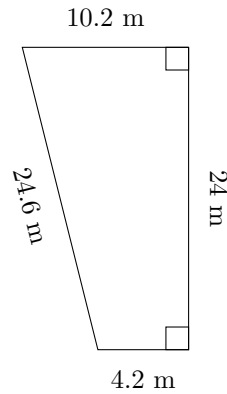
$P = 71.8 \text{ cm}$   
 $A = 236.425 \text{ cm}^2$

3.



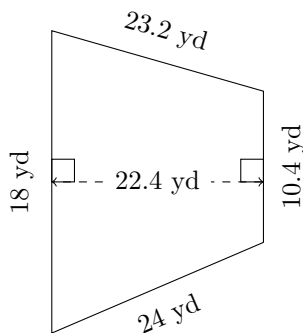
$P = 56.8 \text{ km}$   
 $A = 181.44 \text{ km}^2$

4.



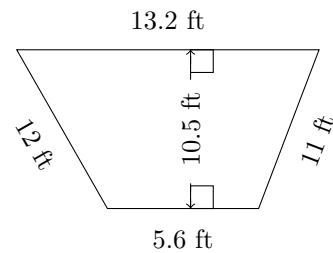
$P = 63 \text{ m}$   
 $A = 172.8 \text{ m}^2$

5.



$P = 75.6 \text{ yd}$   
 $A = 318.08 \text{ yd}^2$

6.

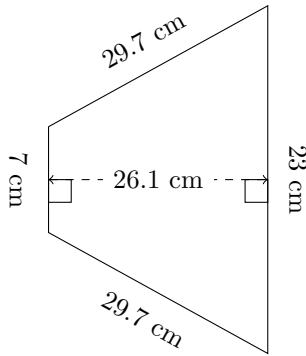


$P = 41.8 \text{ ft}$   
 $A = 98.7 \text{ ft}^2$

# Area and Perimeter of Trapezoids (C)

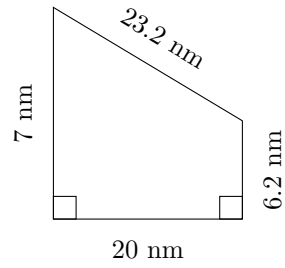
Calculate the perimeter and area for each trapezoid.

1.



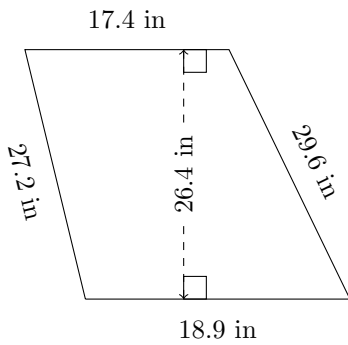
P = ?  
A = ?

2.



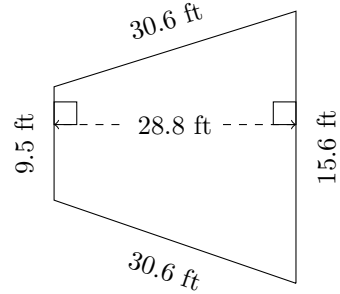
P = ?  
A = ?

3.



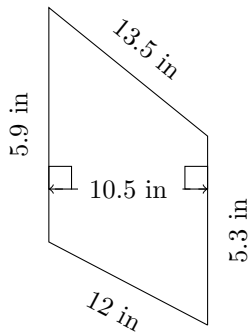
P = ?  
A = ?

4.



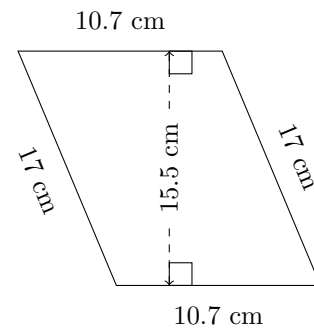
P = ?  
A = ?

5.



P = ?  
A = ?

6.

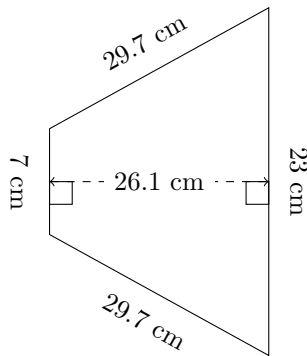


P = ?  
A = ?

# Area and Perimeter of Trapezoids (C) Answers

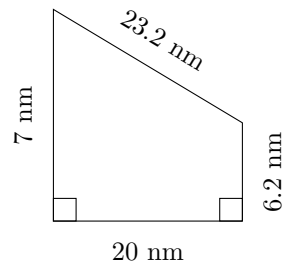
Calculate the perimeter and area for each trapezoid.

1.



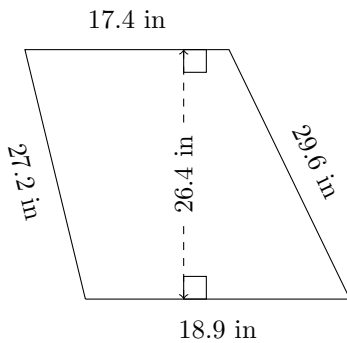
$P = 89.4 \text{ cm}$   
 $A = 391.5 \text{ cm}^2$

2.



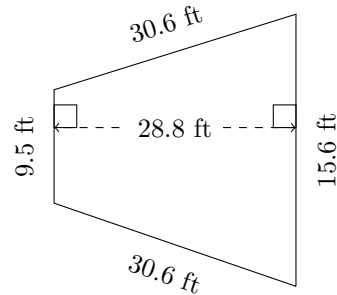
$P = 56.4 \text{ mm}$   
 $A = 132 \text{ mm}^2$

3.



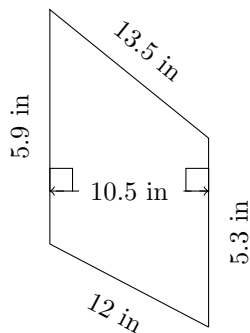
$P = 93.1 \text{ in}$   
 $A = 479.16 \text{ in}^2$

4.



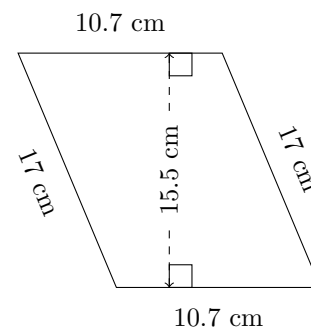
$P = 86.3 \text{ ft}$   
 $A = 361.44 \text{ ft}^2$

5.



$P = 36.7 \text{ in}$   
 $A = 58.8 \text{ in}^2$

6.

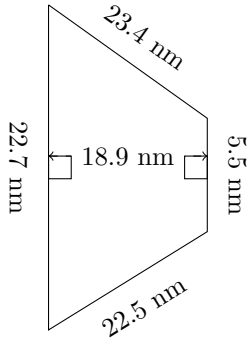


$P = 55.4 \text{ cm}$   
 $A = 165.85 \text{ cm}^2$

# Area and Perimeter of Trapezoids (D)

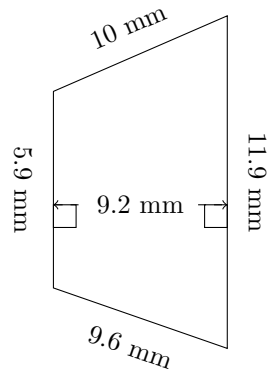
Calculate the perimeter and area for each trapezoid.

1.



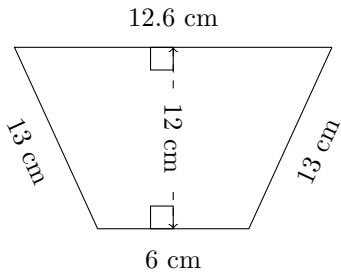
P = ?  
A = ?

2.



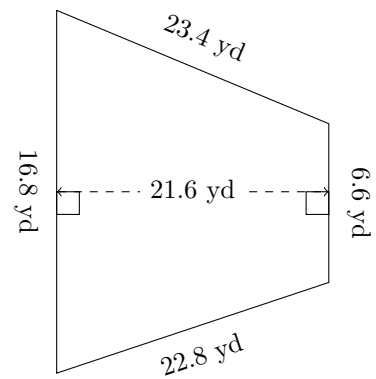
P = ?  
A = ?

3.



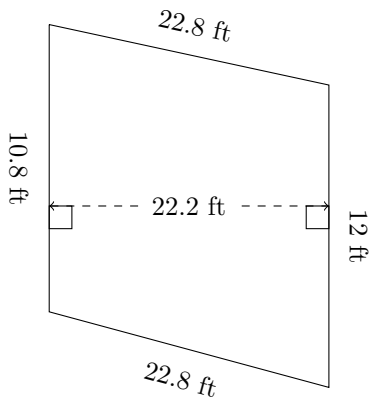
P = ?  
A = ?

4.



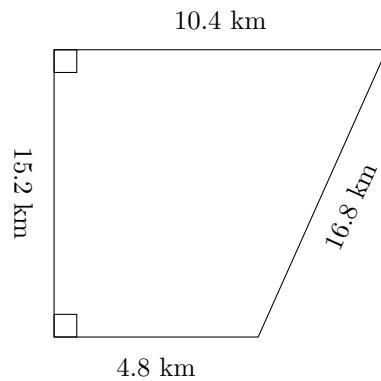
P = ?  
A = ?

5.



P = ?  
A = ?

6.

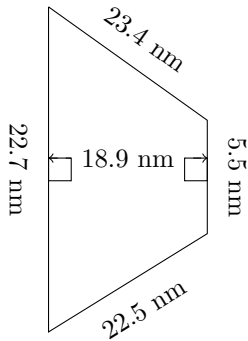


P = ?  
A = ?

# Area and Perimeter of Trapezoids (D) Answers

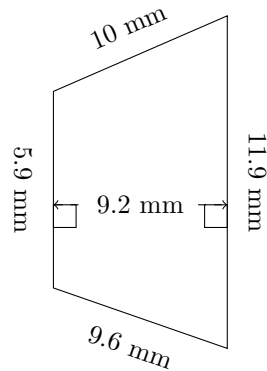
Calculate the perimeter and area for each trapezoid.

1.



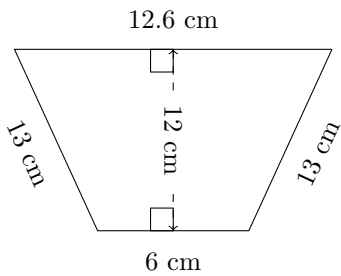
$P = 74.1 \text{ mm}$   
 $A = 266.49 \text{ mm}^2$

2.



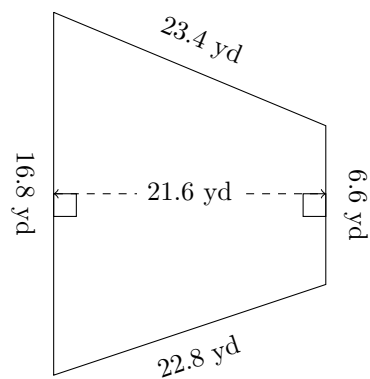
$P = 37.4 \text{ mm}$   
 $A = 81.88 \text{ mm}^2$

3.



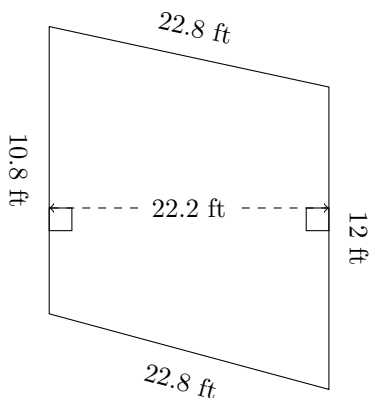
$P = 44.6 \text{ cm}$   
 $A = 111.6 \text{ cm}^2$

4.



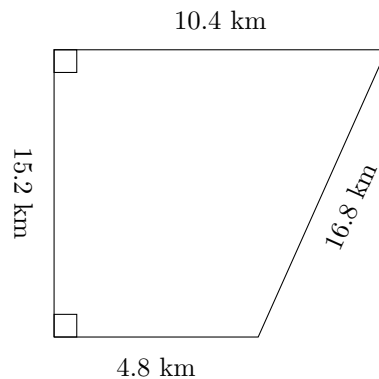
$P = 69.6 \text{ yd}$   
 $A = 252.72 \text{ yd}^2$

5.



$P = 68.4 \text{ ft}$   
 $A = 253.08 \text{ ft}^2$

6.



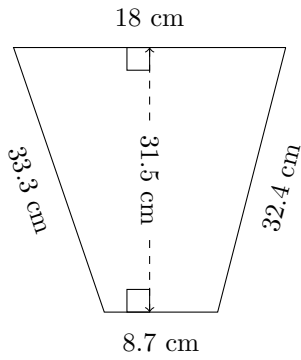
$P = 47.2 \text{ km}$   
 $A = 115.52 \text{ km}^2$



# Area and Perimeter of Trapezoids (E)

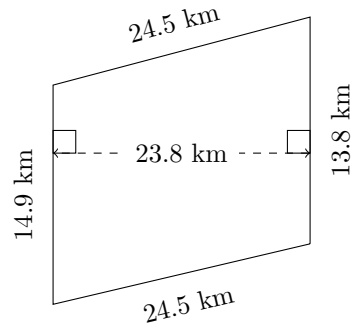
Calculate the perimeter and area for each trapezoid.

1.



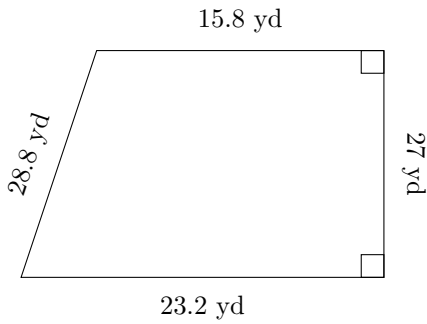
P = ?  
A = ?

2.



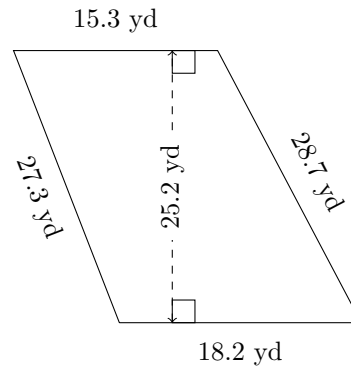
P = ?  
A = ?

3.



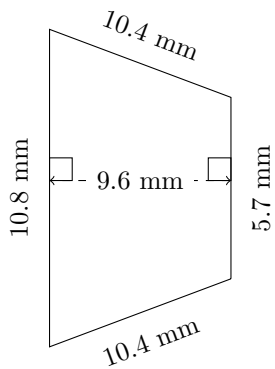
P = ?  
A = ?

4.



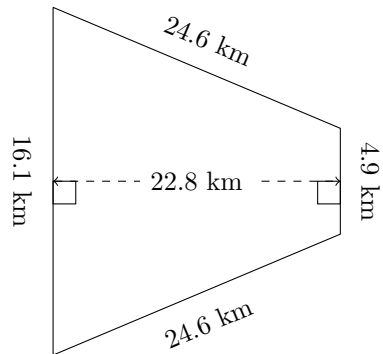
P = ?  
A = ?

5.



P = ?  
A = ?

6.

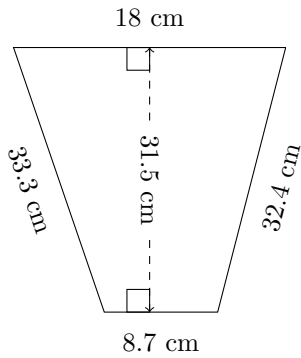


P = ?  
A = ?

# Area and Perimeter of Trapezoids (E) Answers

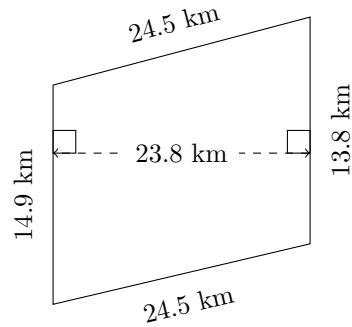
Calculate the perimeter and area for each trapezoid.

1.



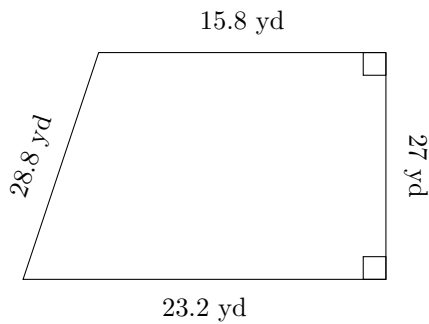
$P = 92.4 \text{ cm}$   
 $A = 420.525 \text{ cm}^2$

2.



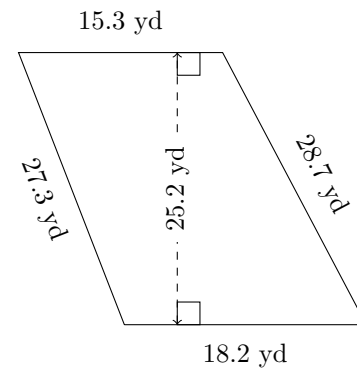
$P = 77.7 \text{ km}$   
 $A = 341.53 \text{ km}^2$

3.



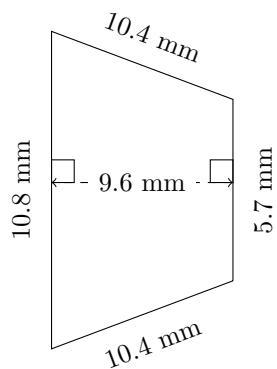
$P = 94.8 \text{ yd}$   
 $A = 526.5 \text{ yd}^2$

4.



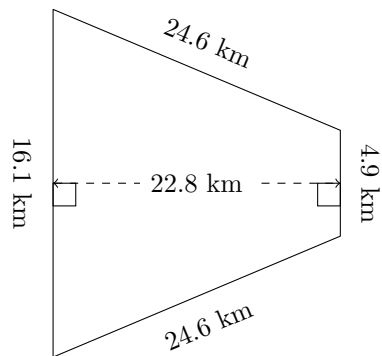
$P = 89.5 \text{ yd}$   
 $A = 422.1 \text{ yd}^2$

5.



$P = 37.3 \text{ mm}$   
 $A = 79.2 \text{ mm}^2$

6.

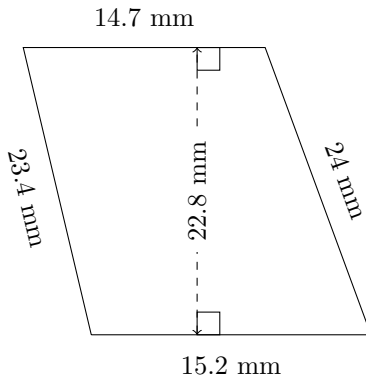


$P = 70.2 \text{ km}$   
 $A = 239.4 \text{ km}^2$

# Area and Perimeter of Trapezoids (F)

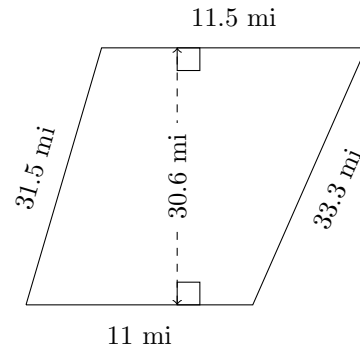
Calculate the perimeter and area for each trapezoid.

1.



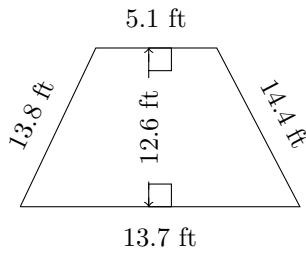
P = ?  
A = ?

2.



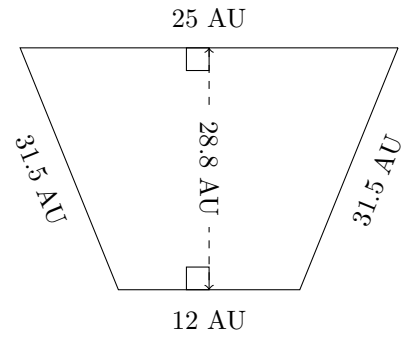
P = ?  
A = ?

3.



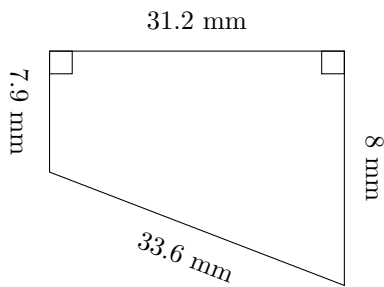
P = ?  
A = ?

4.



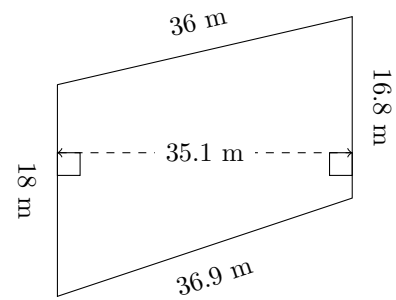
P = ?  
A = ?

5.



P = ?  
A = ?

6.

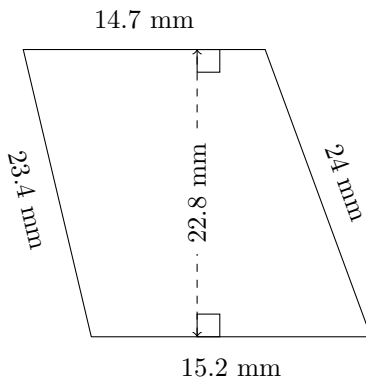


P = ?  
A = ?

# Area and Perimeter of Trapezoids (F) Answers

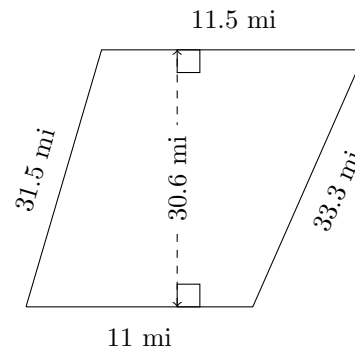
Calculate the perimeter and area for each trapezoid.

1.



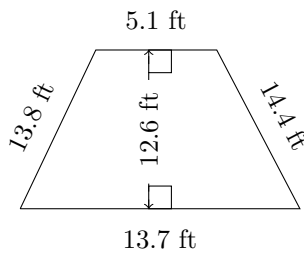
$P = 77.3 \text{ mm}$   
 $A = 340.86 \text{ mm}^2$

2.



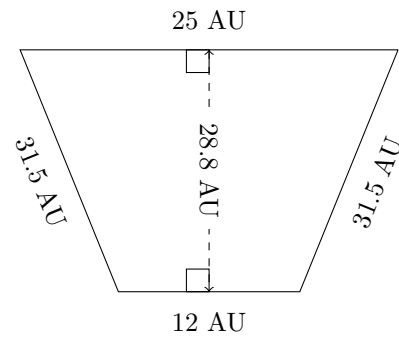
$P = 87.3 \text{ mi}$   
 $A = 344.25 \text{ mi}^2$

3.



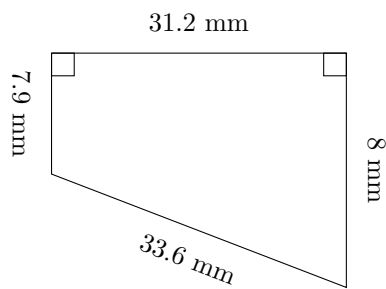
$P = 47 \text{ ft}$   
 $A = 118.44 \text{ ft}^2$

4.



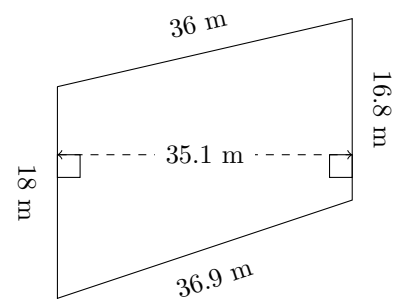
$P = 100 \text{ AU}$   
 $A = 532.8 \text{ AU}^2$

5.



$P = 80.7 \text{ mm}$   
 $A = 248.04 \text{ mm}^2$

6.

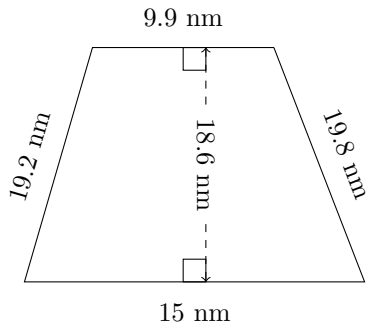


$P = 107.7 \text{ m}$   
 $A = 610.74 \text{ m}^2$

# Area and Perimeter of Trapezoids (G)

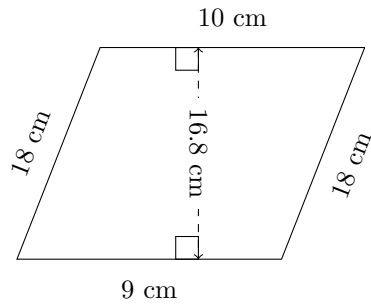
Calculate the perimeter and area for each trapezoid.

1.



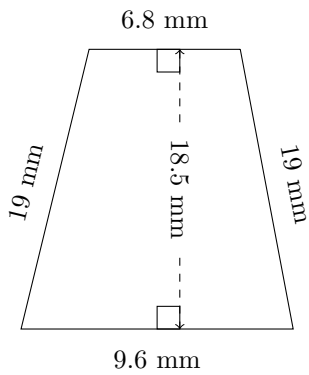
P = ?  
A = ?

2.



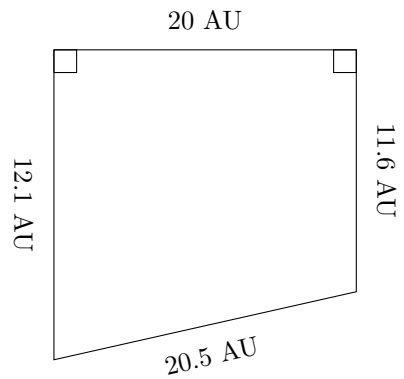
P = ?  
A = ?

3.



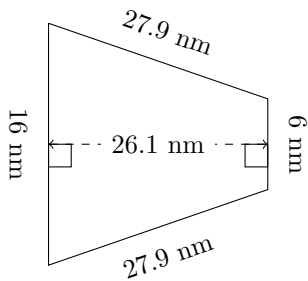
P = ?  
A = ?

4.



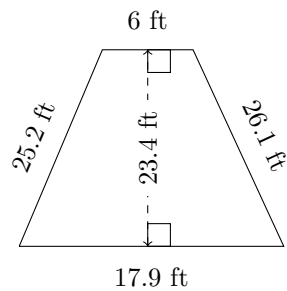
P = ?  
A = ?

5.



P = ?  
A = ?

6.

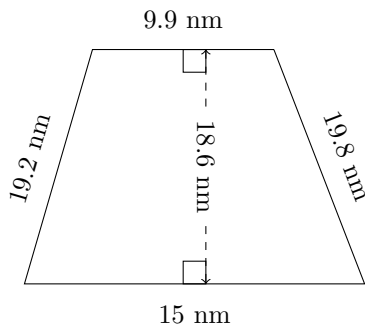


P = ?  
A = ?

# Area and Perimeter of Trapezoids (G) Answers

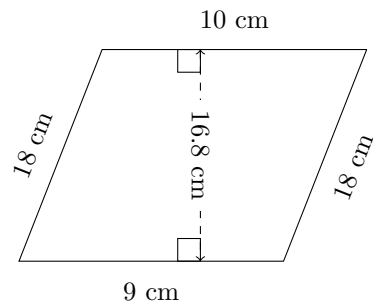
Calculate the perimeter and area for each trapezoid.

1.



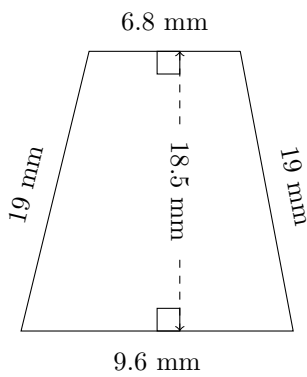
$P = 63.9 \text{ nm}$   
 $A = 231.57 \text{ nm}^2$

2.



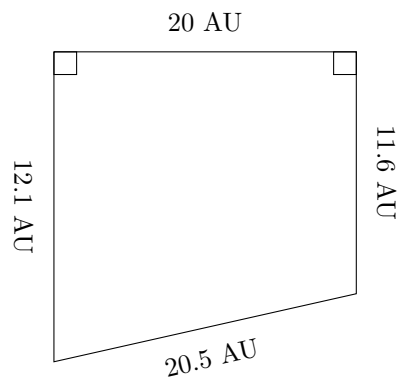
$P = 55 \text{ cm}$   
 $A = 159.6 \text{ cm}^2$

3.



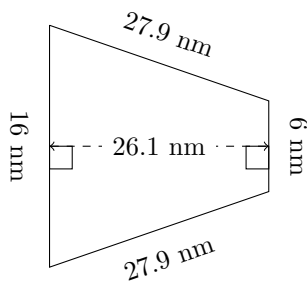
$P = 54.4 \text{ mm}$   
 $A = 151.7 \text{ mm}^2$

4.



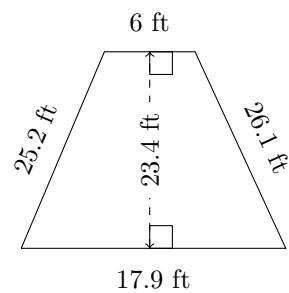
$P = 64.2 \text{ AU}$   
 $A = 237 \text{ AU}^2$

5.



$P = 77.8 \text{ nm}$   
 $A = 287.1 \text{ nm}^2$

6.

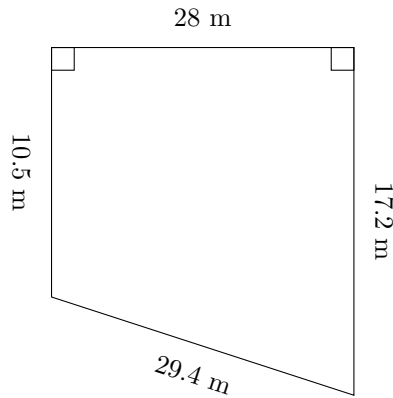


$P = 75.2 \text{ ft}$   
 $A = 279.63 \text{ ft}^2$

# Area and Perimeter of Trapezoids (H)

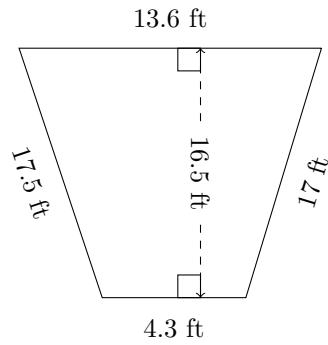
Calculate the perimeter and area for each trapezoid.

1.



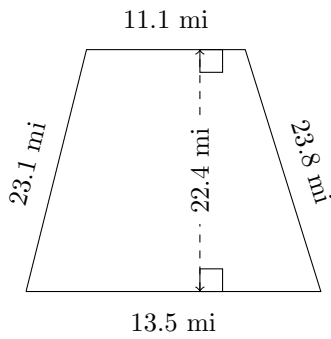
P = ?  
A = ?

2.



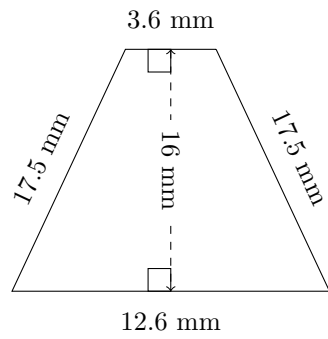
P = ?  
A = ?

3.



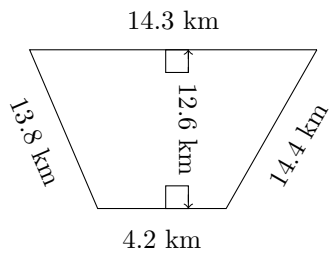
P = ?  
A = ?

4.



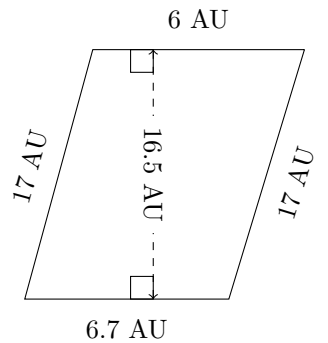
P = ?  
A = ?

5.



P = ?  
A = ?

6.

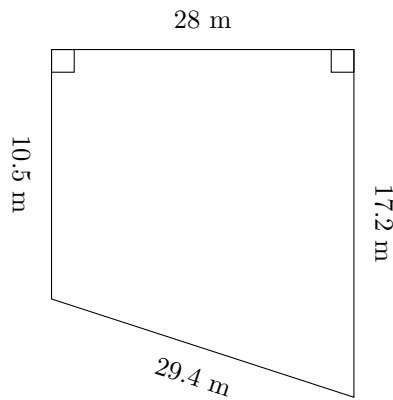


P = ?  
A = ?

# Area and Perimeter of Trapezoids (H) Answers

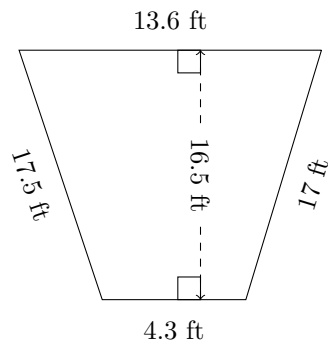
Calculate the perimeter and area for each trapezoid.

1.



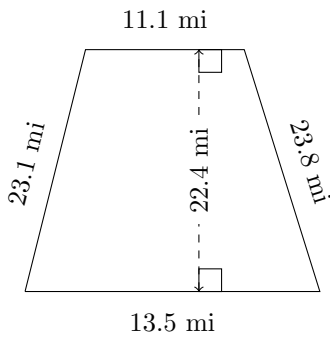
$P = 85.1 \text{ m}$   
 $A = 387.8 \text{ m}^2$

2.



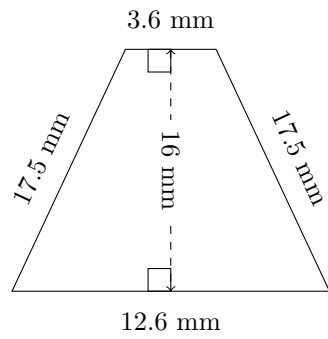
$P = 52.4 \text{ ft}$   
 $A = 147.675 \text{ ft}^2$

3.



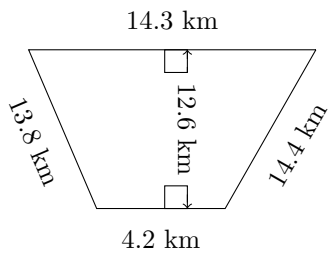
$P = 71.5 \text{ mi}$   
 $A = 275.52 \text{ mi}^2$

4.



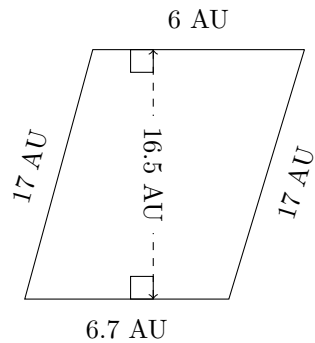
$P = 51.2 \text{ mm}$   
 $A = 129.6 \text{ mm}^2$

5.



$P = 46.7 \text{ km}$   
 $A = 116.55 \text{ km}^2$

6.



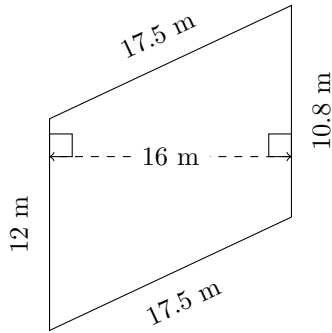
$P = 46.7 \text{ AU}$   
 $A = 104.775 \text{ AU}^2$



# Area and Perimeter of Trapezoids (I)

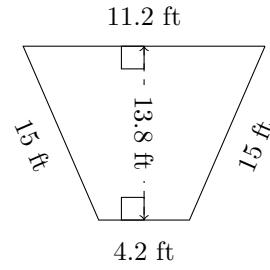
Calculate the perimeter and area for each trapezoid.

1.



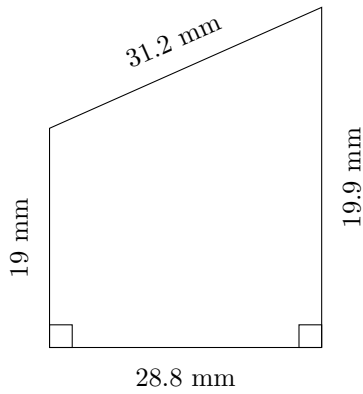
P = ?  
A = ?

2.



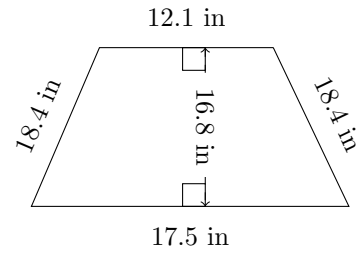
P = ?  
A = ?

3.



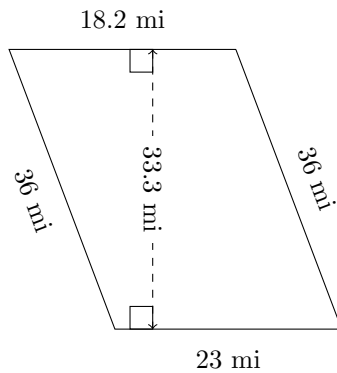
P = ?  
A = ?

4.



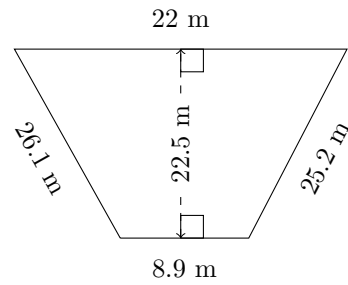
P = ?  
A = ?

5.



P = ?  
A = ?

6.

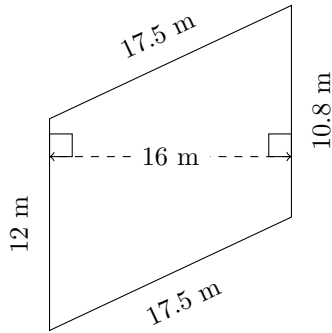


P = ?  
A = ?

# Area and Perimeter of Trapezoids (I) Answers

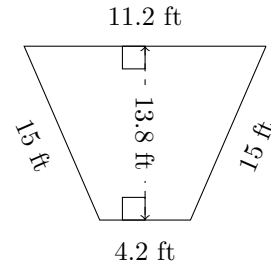
Calculate the perimeter and area for each trapezoid.

1.



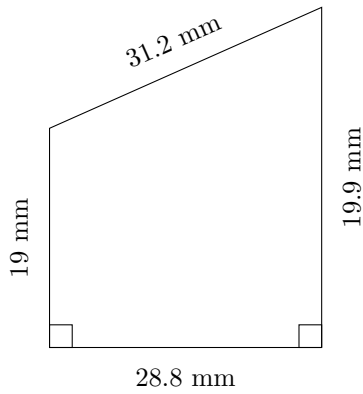
$P = 57.8 \text{ m}$   
 $A = 182.4 \text{ m}^2$

2.



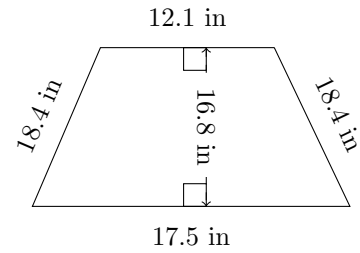
$P = 45.4 \text{ ft}$   
 $A = 106.26 \text{ ft}^2$

3.



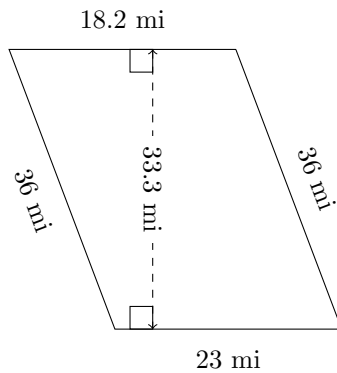
$P = 98.9 \text{ mm}$   
 $A = 560.16 \text{ mm}^2$

4.



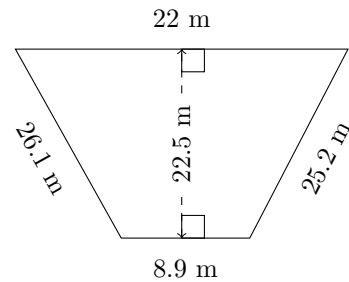
$P = 66.4 \text{ in}$   
 $A = 248.64 \text{ in}^2$

5.



$P = 113.2 \text{ mi}$   
 $A = 685.98 \text{ mi}^2$

6.

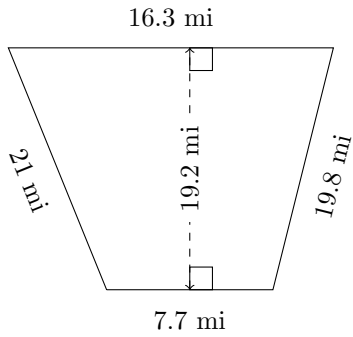


$P = 82.2 \text{ m}$   
 $A = 347.625 \text{ m}^2$

# Area and Perimeter of Trapezoids (J)

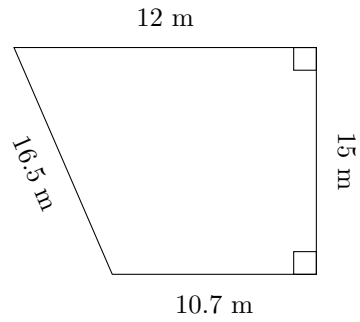
Calculate the perimeter and area for each trapezoid.

1.



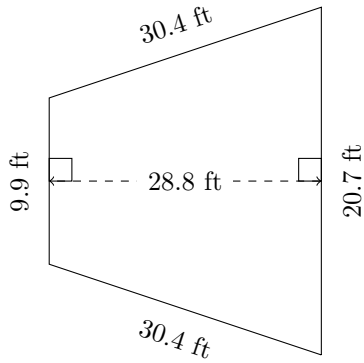
P = ?  
A = ?

2.



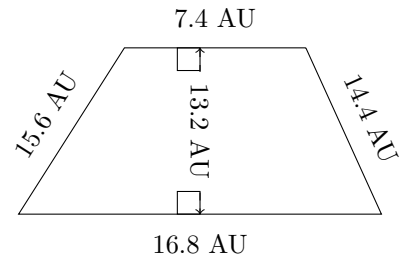
P = ?  
A = ?

3.



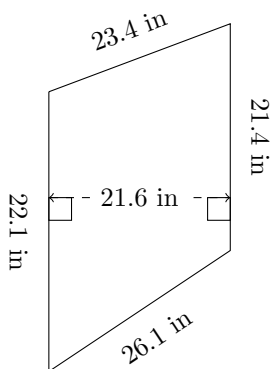
P = ?  
A = ?

4.



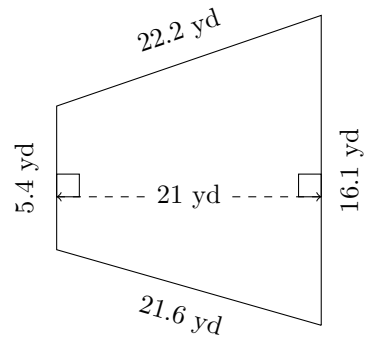
P = ?  
A = ?

5.



P = ?  
A = ?

6.

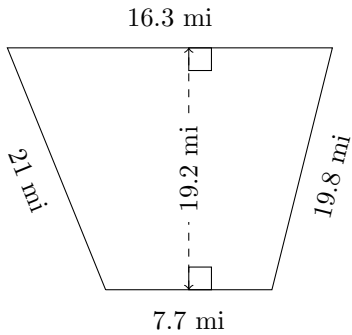


P = ?  
A = ?

# Area and Perimeter of Trapezoids (J) Answers

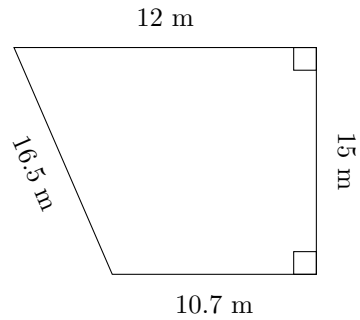
Calculate the perimeter and area for each trapezoid.

1.



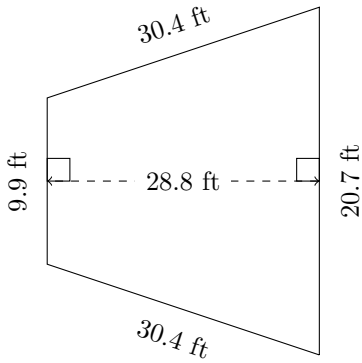
$P = 64.8 \text{ mi}$   
 $A = 230.4 \text{ mi}^2$

2.



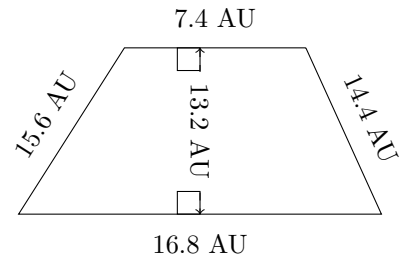
$P = 54.2 \text{ m}$   
 $A = 170.25 \text{ m}^2$

3.



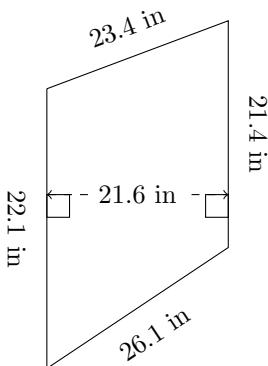
$P = 91.4 \text{ ft}$   
 $A = 440.64 \text{ ft}^2$

4.



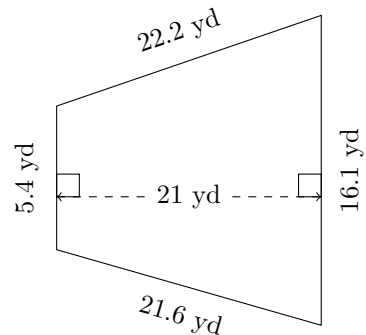
$P = 54.2 \text{ AU}$   
 $A = 159.72 \text{ AU}^2$

5.



$P = 93 \text{ in}$   
 $A = 469.8 \text{ in}^2$

6.



$P = 65.3 \text{ yd}$   
 $A = 225.75 \text{ yd}^2$