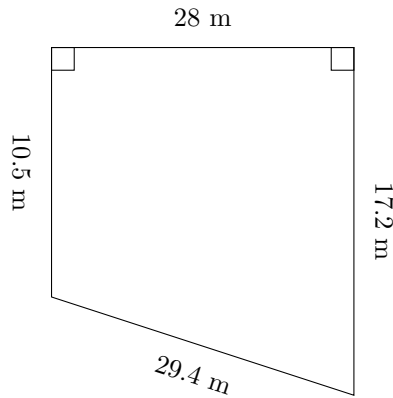


# Area and Perimeter of Trapezoids (H)

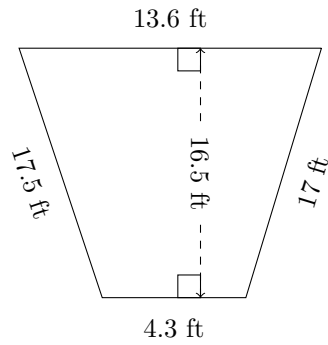
Calculate the perimeter and area for each trapezoid.

1.



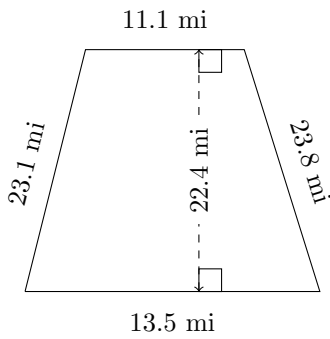
P = ?  
A = ?

2.



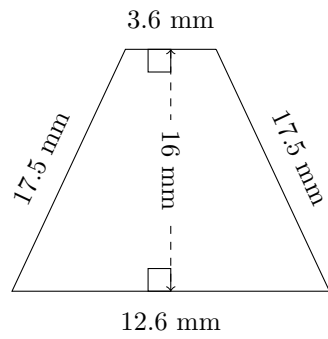
P = ?  
A = ?

3.



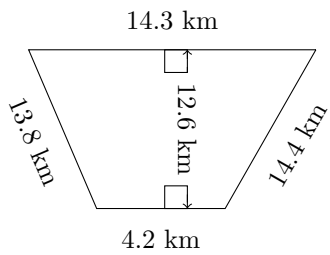
P = ?  
A = ?

4.



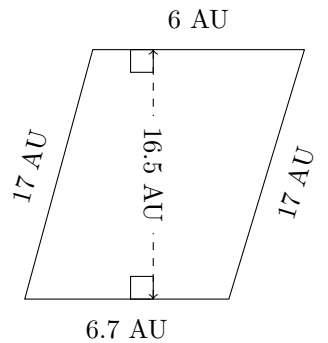
P = ?  
A = ?

5.



P = ?  
A = ?

6.

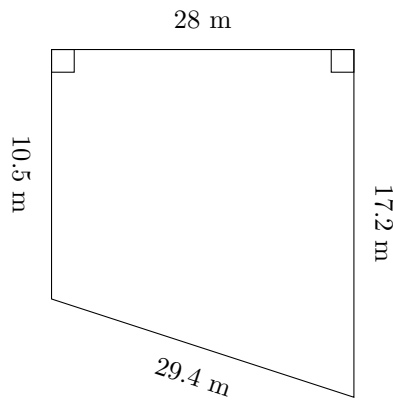


P = ?  
A = ?

# Area and Perimeter of Trapezoids (H) Answers

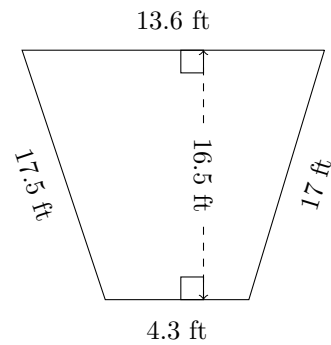
Calculate the perimeter and area for each trapezoid.

1.



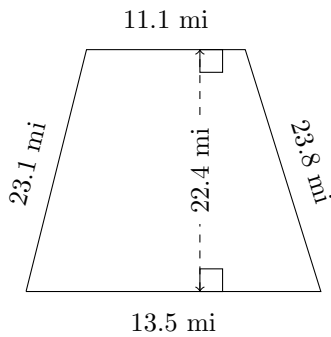
$P = 85.1 \text{ m}$   
 $A = 387.8 \text{ m}^2$

2.



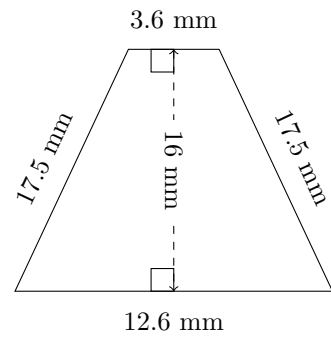
$P = 52.4 \text{ ft}$   
 $A = 147.675 \text{ ft}^2$

3.



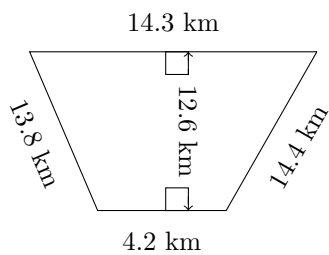
$P = 71.5 \text{ mi}$   
 $A = 275.52 \text{ mi}^2$

4.



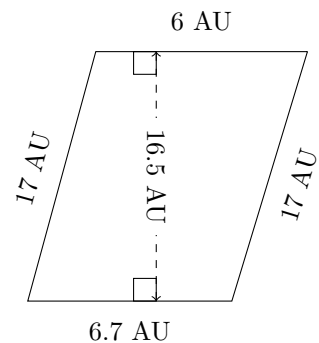
$P = 51.2 \text{ mm}$   
 $A = 129.6 \text{ mm}^2$

5.



$P = 46.7 \text{ km}$   
 $A = 116.55 \text{ km}^2$

6.



$P = 46.7 \text{ AU}$   
 $A = 104.775 \text{ AU}^2$