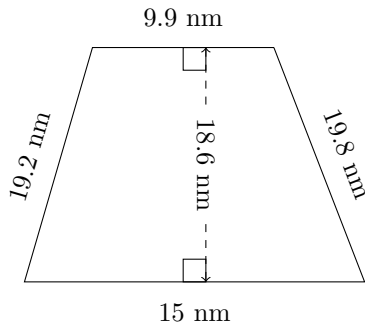


# Area and Perimeter of Trapezoids (G)

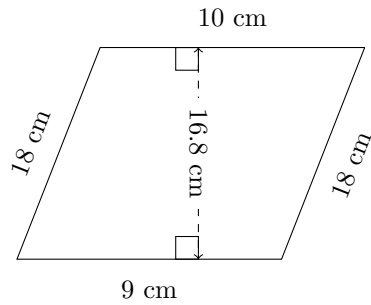
Calculate the perimeter and area for each trapezoid.

1.



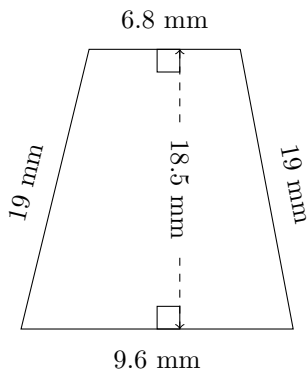
P = ?  
A = ?

2.



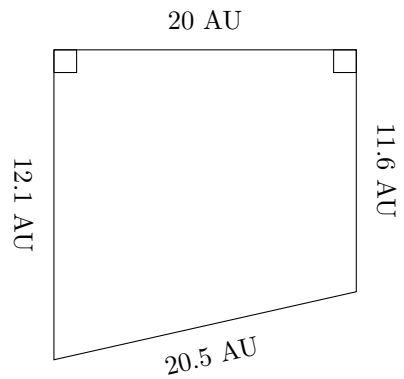
P = ?  
A = ?

3.



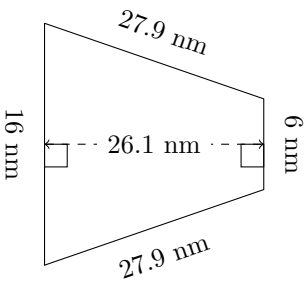
P = ?  
A = ?

4.



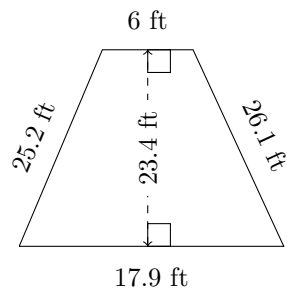
P = ?  
A = ?

5.



P = ?  
A = ?

6.

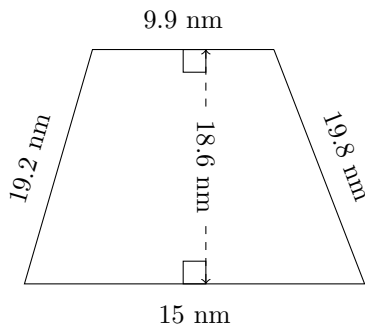


P = ?  
A = ?

# Area and Perimeter of Trapezoids (G) Answers

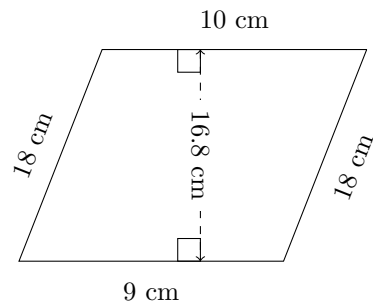
Calculate the perimeter and area for each trapezoid.

1.



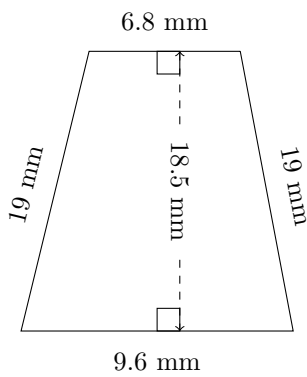
$P = 63.9 \text{ nm}$   
 $A = 231.57 \text{ nm}^2$

2.



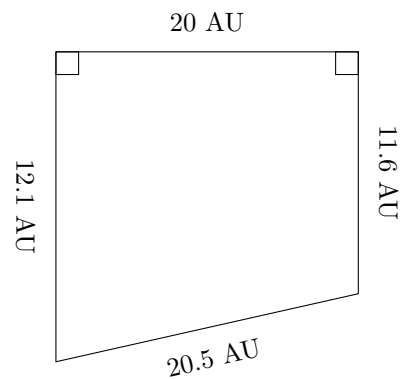
$P = 55 \text{ cm}$   
 $A = 159.6 \text{ cm}^2$

3.



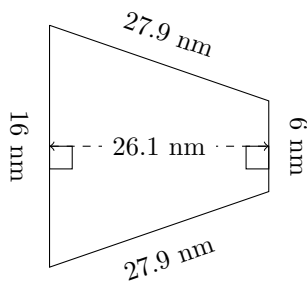
$P = 54.4 \text{ mm}$   
 $A = 151.7 \text{ mm}^2$

4.



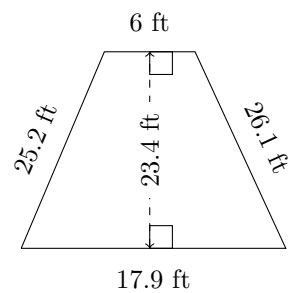
$P = 64.2 \text{ AU}$   
 $A = 237 \text{ AU}^2$

5.



$P = 77.8 \text{ nm}$   
 $A = 287.1 \text{ nm}^2$

6.



$P = 75.2 \text{ ft}$   
 $A = 279.63 \text{ ft}^2$