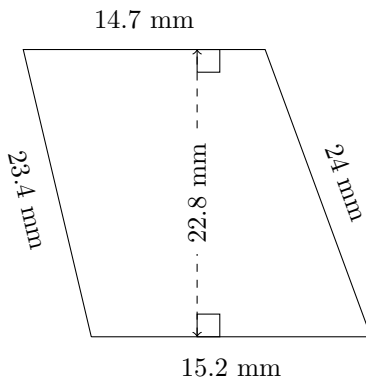


Area and Perimeter of Trapezoids (F)

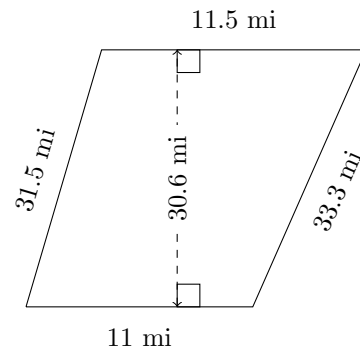
Calculate the perimeter and area for each trapezoid.

1.



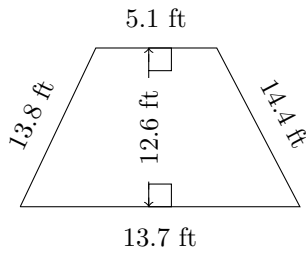
P = ?
A = ?

2.



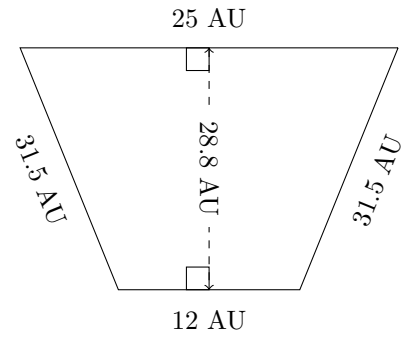
P = ?
A = ?

3.



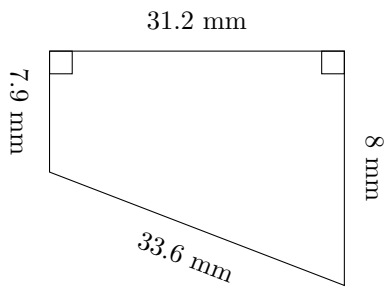
P = ?
A = ?

4.



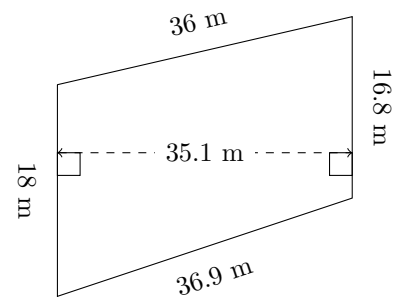
P = ?
A = ?

5.



P = ?
A = ?

6.

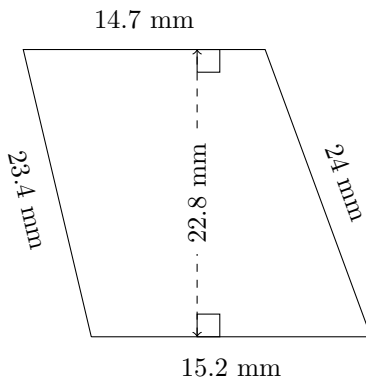


P = ?
A = ?

Area and Perimeter of Trapezoids (F) Answers

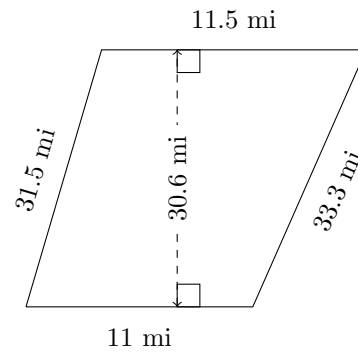
Calculate the perimeter and area for each trapezoid.

1.



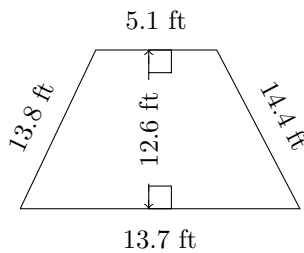
$P = 77.3 \text{ mm}$
 $A = 340.86 \text{ mm}^2$

2.



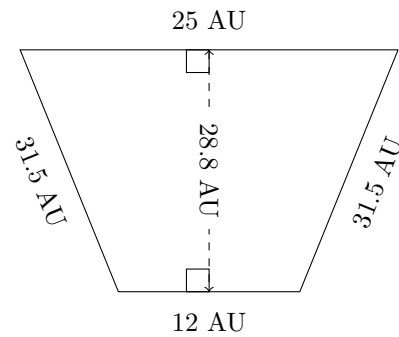
$P = 87.3 \text{ mi}$
 $A = 344.25 \text{ mi}^2$

3.



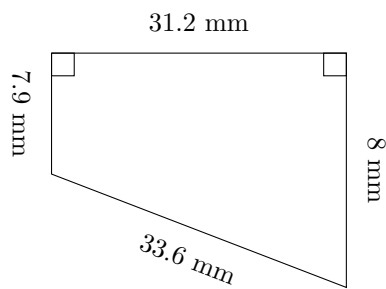
$P = 47 \text{ ft}$
 $A = 118.44 \text{ ft}^2$

4.



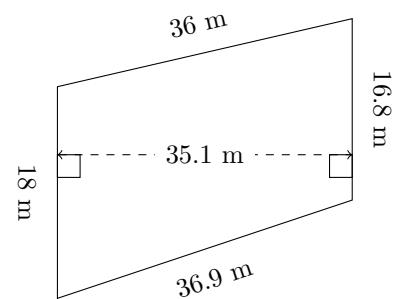
$P = 100 \text{ AU}$
 $A = 532.8 \text{ AU}^2$

5.



$P = 80.7 \text{ mm}$
 $A = 248.04 \text{ mm}^2$

6.



$P = 107.7 \text{ m}$
 $A = 610.74 \text{ m}^2$