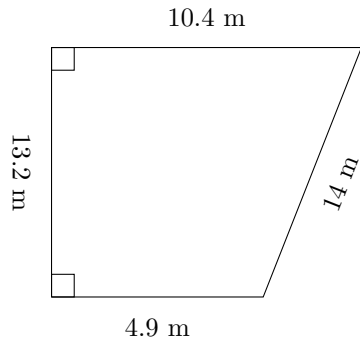


Area and Perimeter of Trapezoids (J)

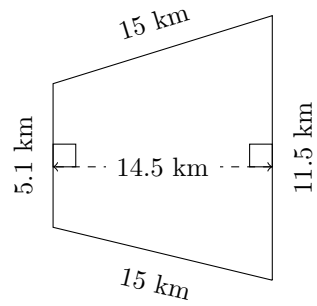
Calculate the perimeter and area for each trapezoid.

1.



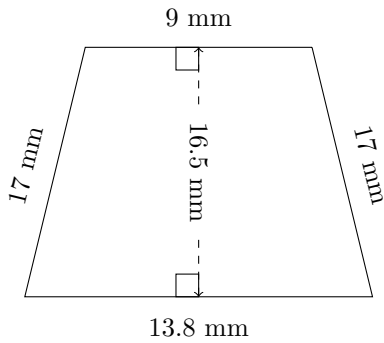
$P = ?$
 $A = ?$

2.



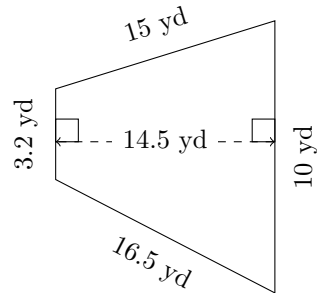
$P = ?$
 $A = ?$

3.



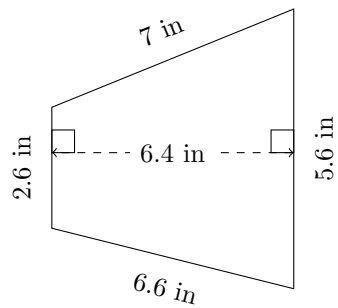
$P = ?$
 $A = ?$

4.



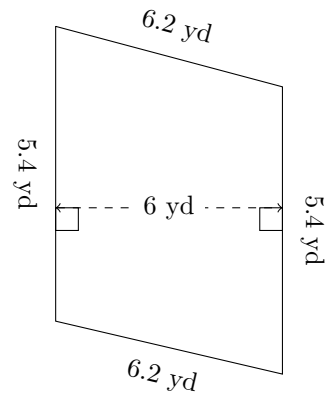
$P = ?$
 $A = ?$

5.



$P = ?$
 $A = ?$

6.

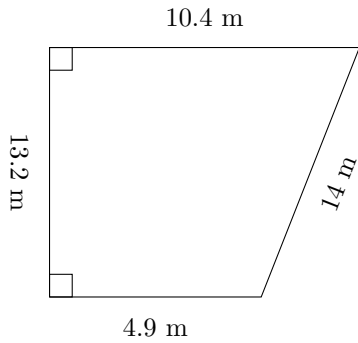


$P = ?$
 $A = ?$

Area and Perimeter of Trapezoids (J) Answers

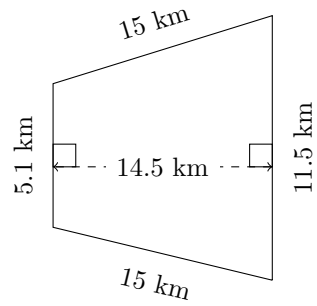
Calculate the perimeter and area for each trapezoid.

1.



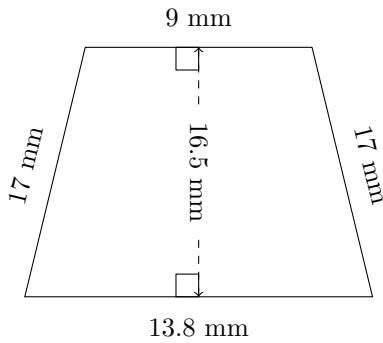
$P = 42.5 \text{ m}$
 $A = 100.98 \text{ m}^2$

2.



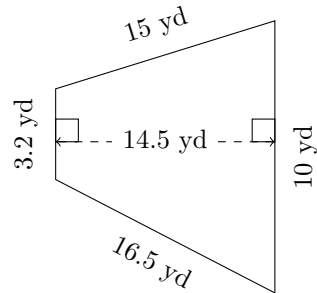
$P = 46.6 \text{ km}$
 $A = 120.35 \text{ km}^2$

3.



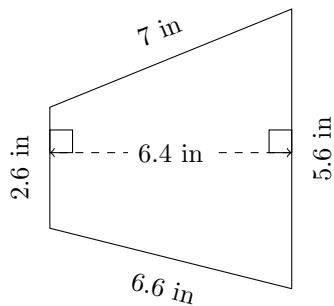
$P = 56.8 \text{ mm}$
 $A = 188.1 \text{ mm}^2$

4.



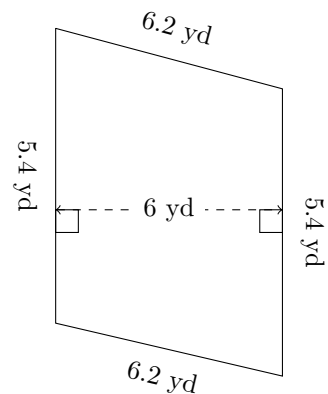
$P = 44.7 \text{ yd}$
 $A = 95.7 \text{ yd}^2$

5.



$P = 21.8 \text{ in}$
 $A = 26.24 \text{ in}^2$

6.



$P = 23.2 \text{ yd}$
 $A = 32.4 \text{ yd}^2$