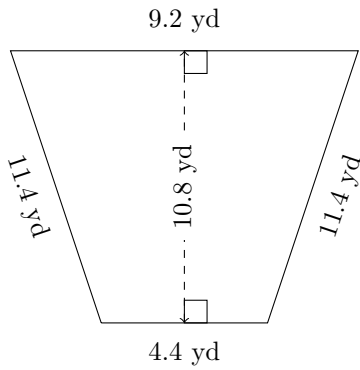


Area and Perimeter of Trapezoids (H)

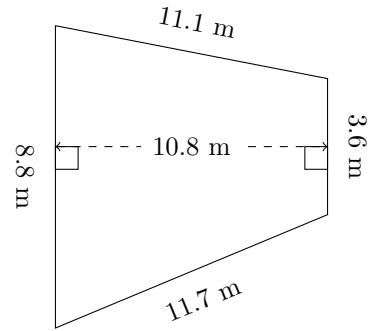
Calculate the perimeter and area for each trapezoid.

1.



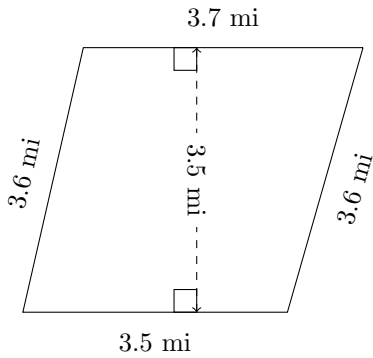
P = ?
A = ?

2.



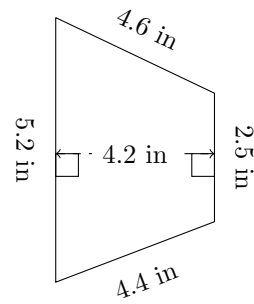
P = ?
A = ?

3.



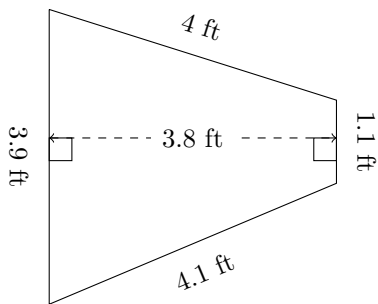
P = ?
A = ?

4.



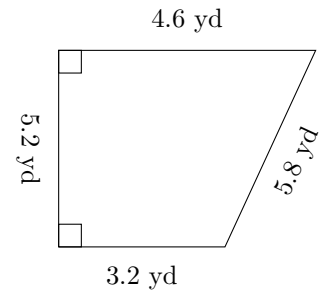
P = ?
A = ?

5.



P = ?
A = ?

6.

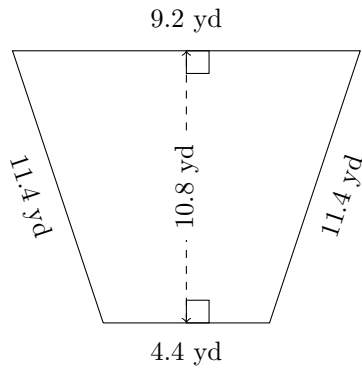


P = ?
A = ?

Area and Perimeter of Trapezoids (H) Answers

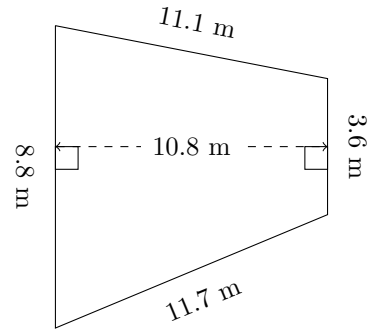
Calculate the perimeter and area for each trapezoid.

1.



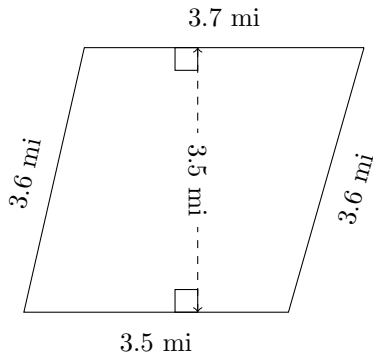
$P = 36.4 \text{ yd}$
 $A = 73.44 \text{ yd}^2$

2.



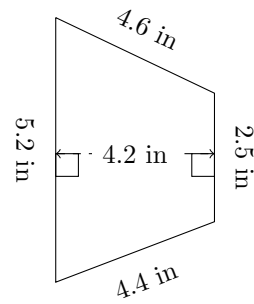
$P = 35.2 \text{ m}$
 $A = 66.96 \text{ m}^2$

3.



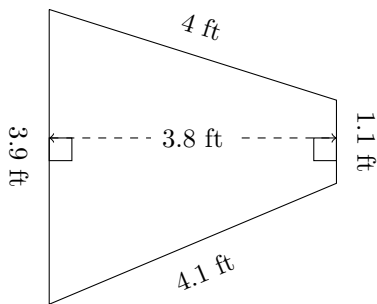
$P = 14.4 \text{ mi}$
 $A = 12.6 \text{ mi}^2$

4.



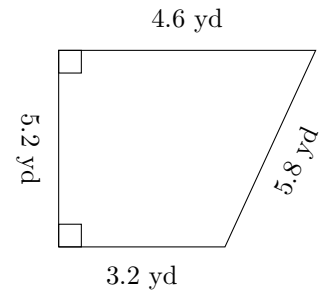
$P = 16.7 \text{ in}$
 $A = 16.17 \text{ in}^2$

5.



$P = 13.1 \text{ ft}$
 $A = 9.5 \text{ ft}^2$

6.



$P = 18.8 \text{ yd}$
 $A = 20.28 \text{ yd}^2$