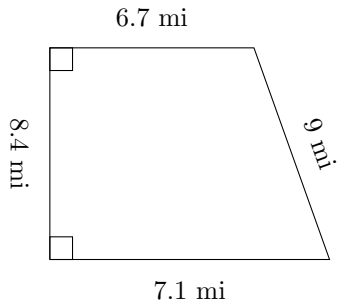


Area and Perimeter of Trapezoids (E)

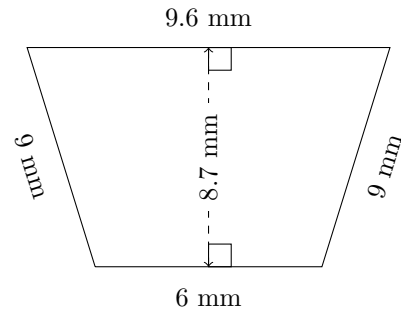
Calculate the perimeter and area for each trapezoid.

1.



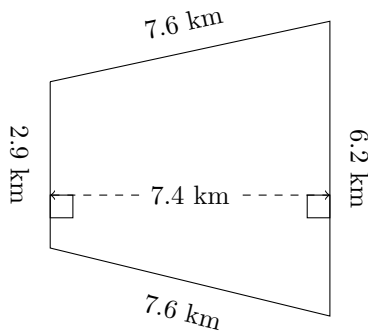
$P = ?$
 $A = ?$

2.



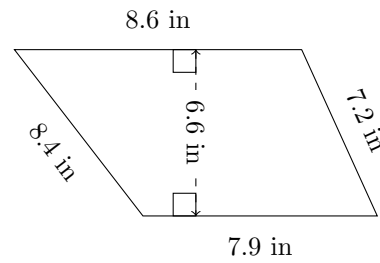
$P = ?$
 $A = ?$

3.



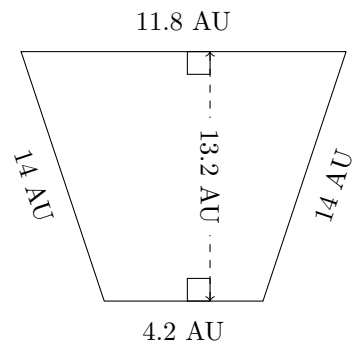
$P = ?$
 $A = ?$

4.



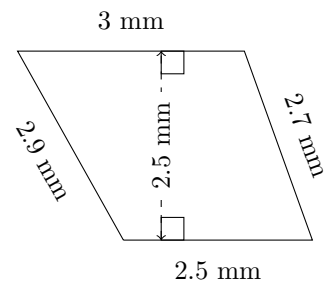
$P = ?$
 $A = ?$

5.



$P = ?$
 $A = ?$

6.

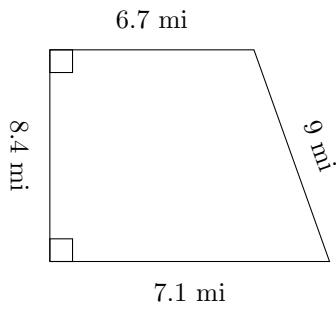


$P = ?$
 $A = ?$

Area and Perimeter of Trapezoids (E) Answers

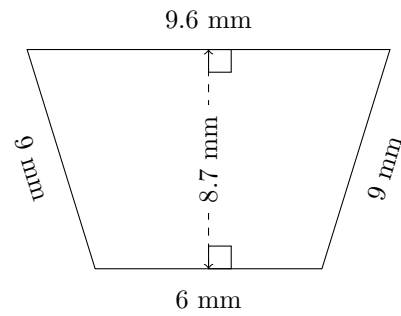
Calculate the perimeter and area for each trapezoid.

1.



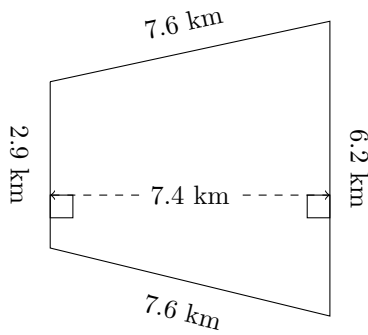
$P = 31.2 \text{ mi}$
 $A = 57.96 \text{ mi}^2$

2.



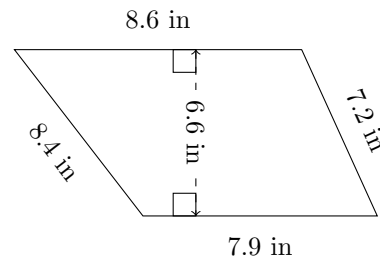
$P = 33.6 \text{ mm}$
 $A = 67.86 \text{ mm}^2$

3.



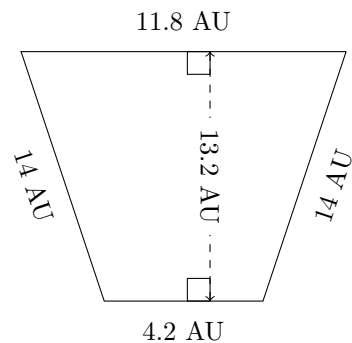
$P = 24.3 \text{ km}$
 $A = 33.67 \text{ km}^2$

4.



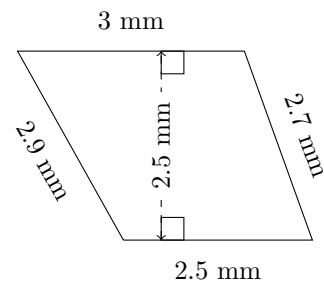
$P = 32.1 \text{ in}$
 $A = 54.45 \text{ in}^2$

5.



$P = 44 \text{ AU}$
 $A = 105.6 \text{ AU}^2$

6.



$P = 11.1 \text{ mm}$
 $A = 6.875 \text{ mm}^2$