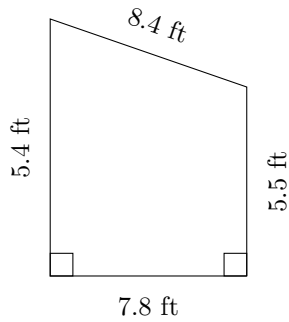


Area and Perimeter of Trapezoids (C)

Calculate the perimeter and area for each trapezoid.

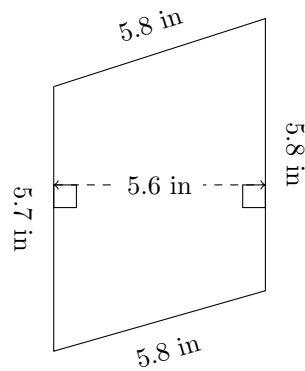
1.



$P = ?$

$A = ?$

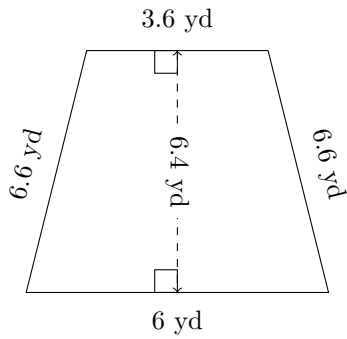
2.



$P = ?$

$A = ?$

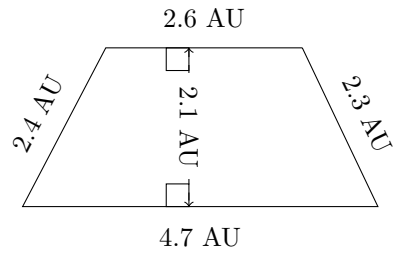
3.



$P = ?$

$A = ?$

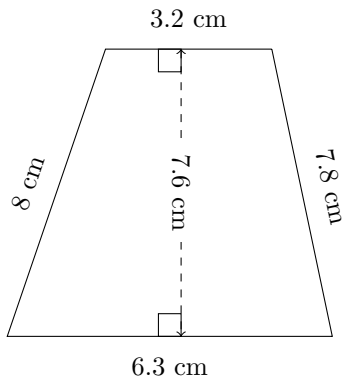
4.



$P = ?$

$A = ?$

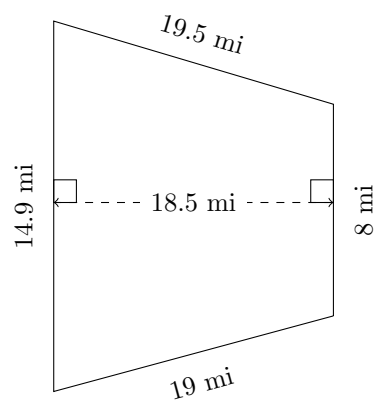
5.



$P = ?$

$A = ?$

6.



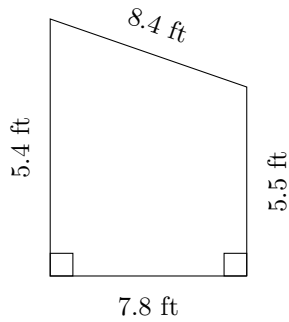
$P = ?$

$A = ?$

Area and Perimeter of Trapezoids (C) Answers

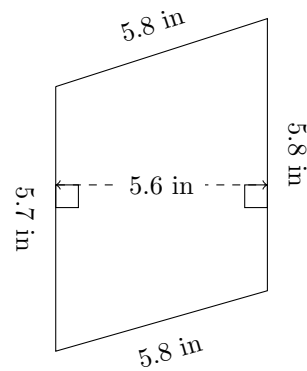
Calculate the perimeter and area for each trapezoid.

1.



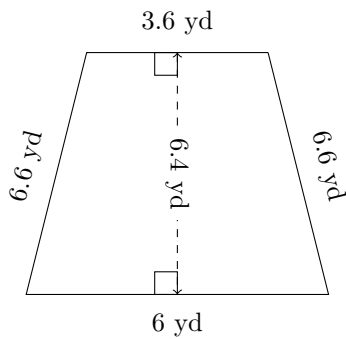
$P = 27.1 \text{ ft}$
 $A = 42.51 \text{ ft}^2$

2.



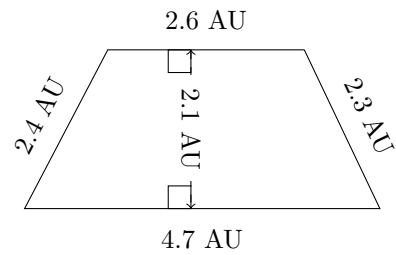
$P = 23.1 \text{ in}$
 $A = 32.2 \text{ in}^2$

3.



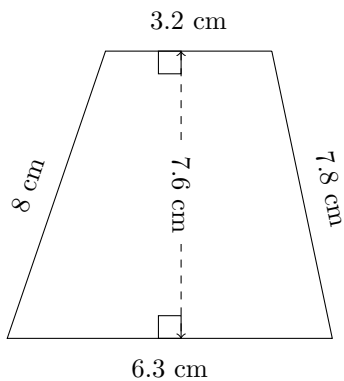
$P = 22.8 \text{ yd}$
 $A = 30.72 \text{ yd}^2$

4.



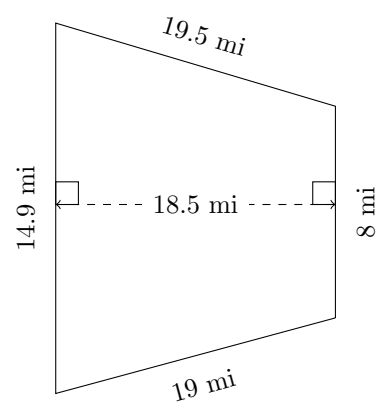
$P = 12 \text{ AU}$
 $A = 7.665 \text{ AU}^2$

5.



$P = 25.3 \text{ cm}$
 $A = 36.1 \text{ cm}^2$

6.



$P = 61.4 \text{ mi}$
 $A = 211.825 \text{ mi}^2$