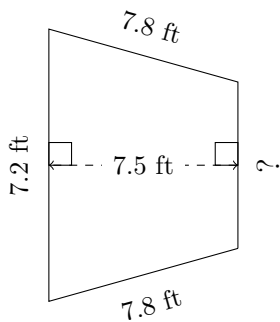


# Trapezium Measurements (G)

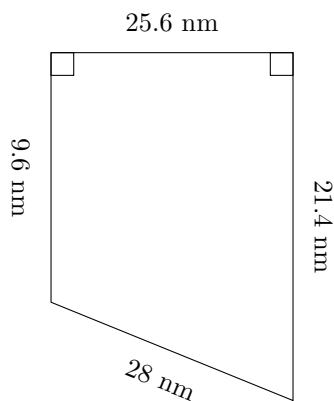
Calculate the missing measurements for each trapezium.

1.



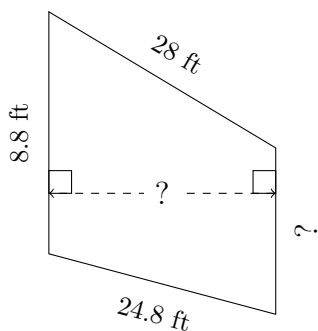
$P = 27.2 \text{ ft}$   
 $A = ?$

2.



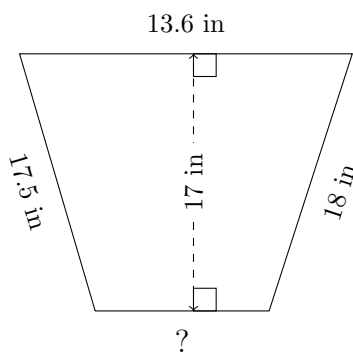
$P = ?$   
 $A = ?$

3.



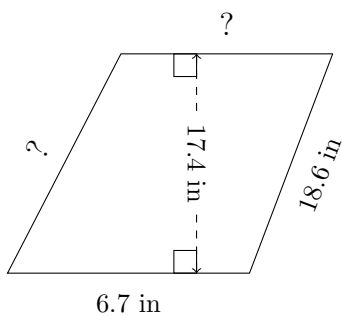
$P = 68 \text{ ft}$   
 $A = 182.4 \text{ ft}^2$

4.



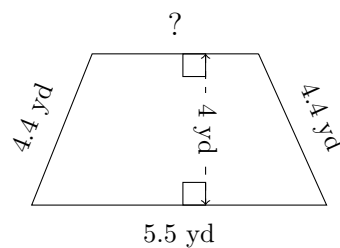
$P = ?$   
 $A = 169.15 \text{ in}^2$

5.



$P = 52.9 \text{ in}$   
 $A = 126.15 \text{ in}^2$

6.

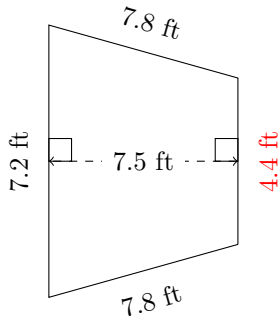


$P = 18 \text{ yd}$   
 $A = ?$

# Trapezium Measurements (G) Answers

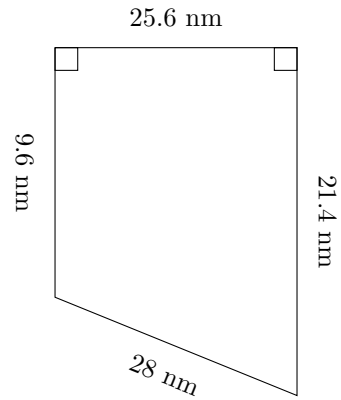
Calculate the missing measurements for each trapezium.

1.



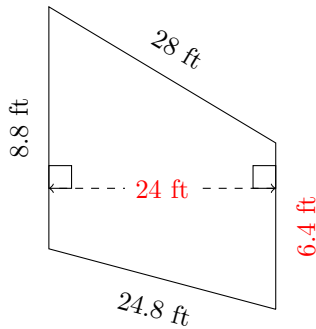
$P = 27.2 \text{ ft}$   
 $A = 43.5 \text{ ft}^2$

2.



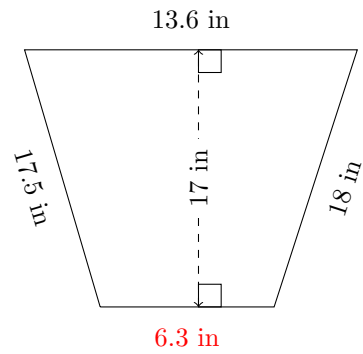
$P = 84.6 \text{ mm}$   
 $A = 396.8 \text{ mm}^2$

3.



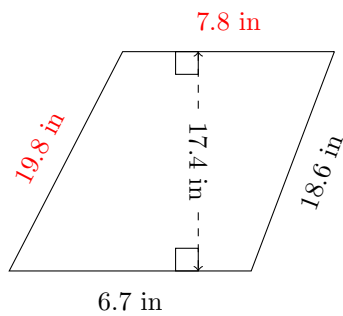
$P = 68 \text{ ft}$   
 $A = 182.4 \text{ ft}^2$

4.



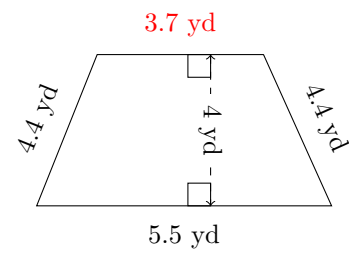
$P = 55.4 \text{ in}$   
 $A = 169.15 \text{ in}^2$

5.



$P = 52.9 \text{ in}$   
 $A = 126.15 \text{ in}^2$

6.



$P = 18 \text{ yd}$   
 $A = 18.4 \text{ yd}^2$