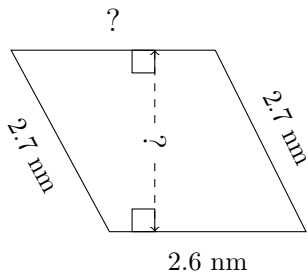


Trapezium Measurements (E)

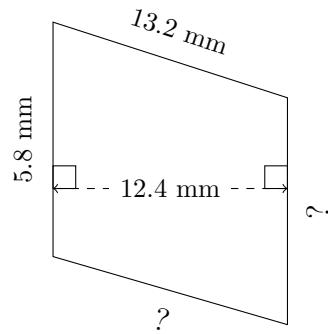
Calculate the missing measurements for each trapezium.

1.



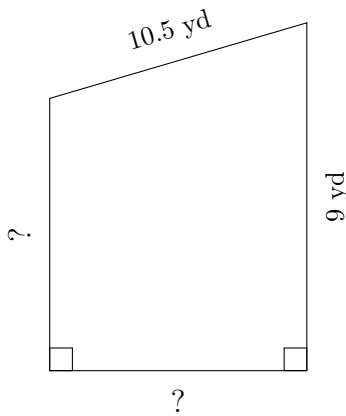
$P = 10.7 \text{ nm}$
 $A = 6.36 \text{ nm}^2$

2.



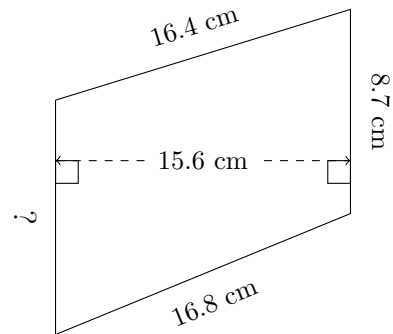
$P = 38.4 \text{ mm}$
 $A = 76.88 \text{ mm}^2$

3.



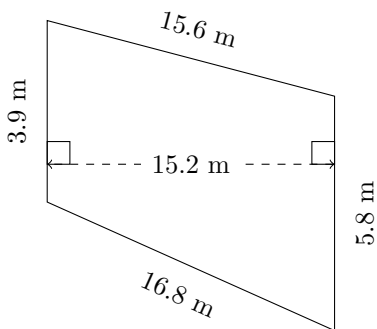
$P = 38.1 \text{ yd}$
 $A = 88.74 \text{ yd}^2$

4.



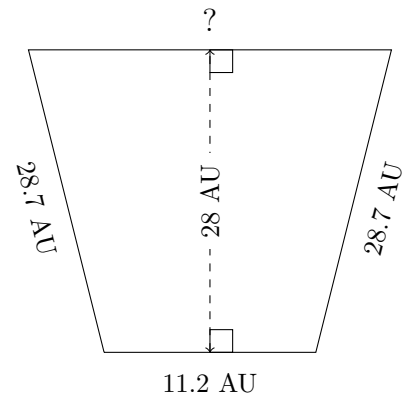
$P = 51.9 \text{ cm}$
 $A = ?$

5.



$P = ?$
 $A = ?$

6.



$P = ?$
 $A = 425.6 \text{ AU}^2$