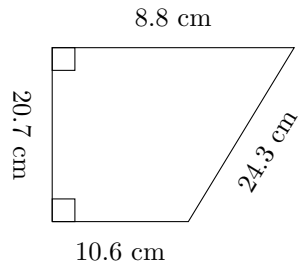


Trapezium Measurements (D)

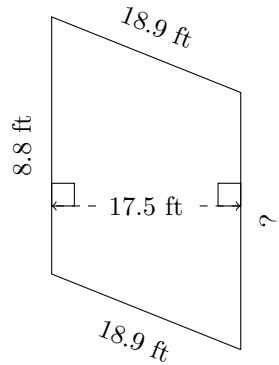
Calculate the missing measurements for each trapezium.

1.



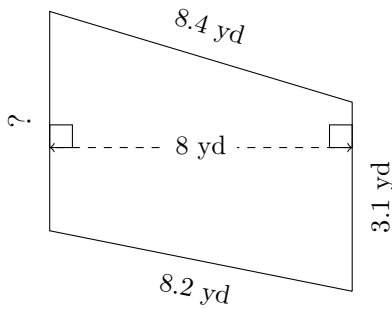
$P = ?$
 $A = ?$

2.



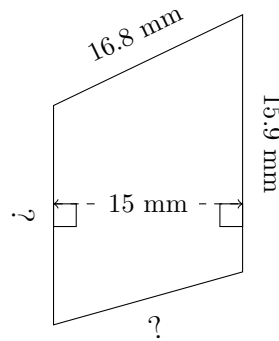
$P = 59 \text{ ft}$
 $A = ?$

3.



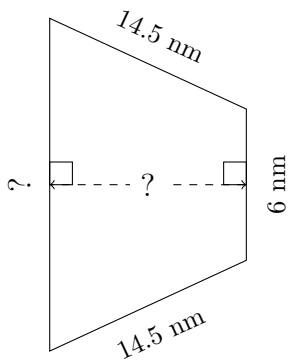
$P = ?$
 $A = 28.4 \text{ yd}^2$

4.



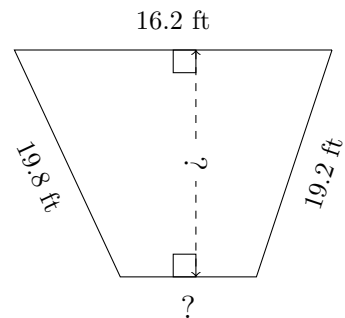
$P = 59.2 \text{ mm}$
 $A = 201 \text{ mm}^2$

5.



$P = 48.2 \text{ mm}$
 $A = 124.8 \text{ mm}^2$

6.



$P = 61 \text{ ft}$
 $A = 198 \text{ ft}^2$