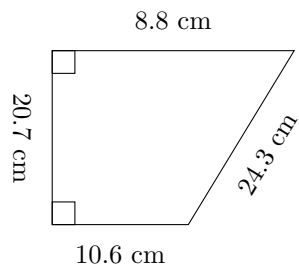


# Trapezium Measurements (D)

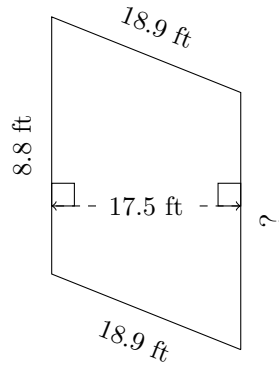
Calculate the missing measurements for each trapezium.

1.



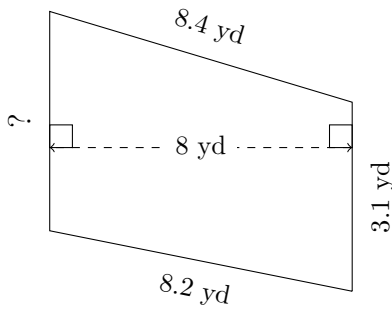
$P = ?$   
 $A = ?$

2.



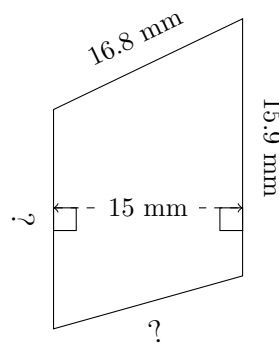
$P = 59 \text{ ft}$   
 $A = ?$

3.



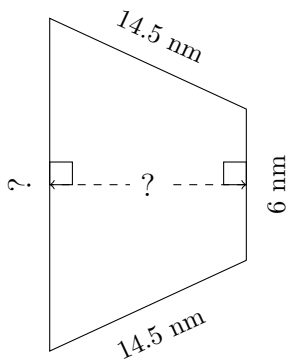
$P = ?$   
 $A = 28.4 \text{ yd}^2$

4.



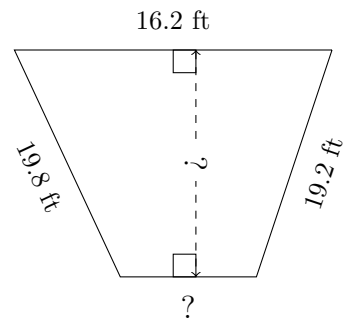
$P = 59.2 \text{ mm}$   
 $A = 201 \text{ mm}^2$

5.



$P = 48.2 \text{ nm}$   
 $A = 124.8 \text{ nm}^2$

6.

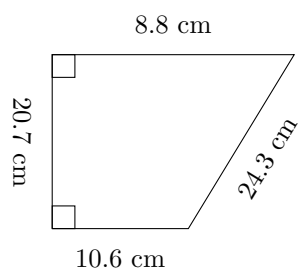


$P = 61 \text{ ft}$   
 $A = 198 \text{ ft}^2$

# Trapezium Measurements (D) Answers

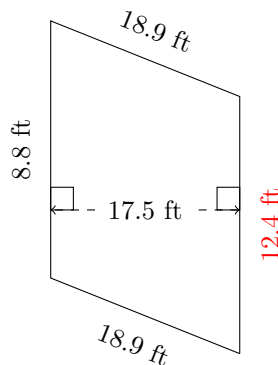
Calculate the missing measurements for each trapezium.

1.



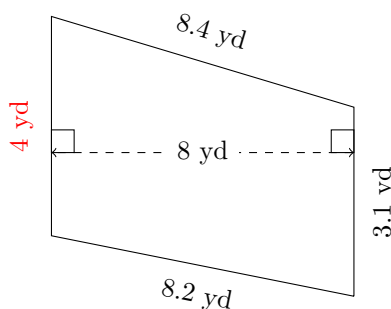
$P = 64.4 \text{ cm}$   
 $A = 200.79 \text{ cm}^2$

2.



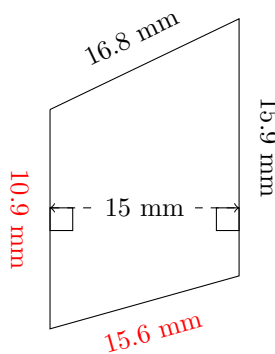
$P = 59 \text{ ft}$   
 $A = 185.5 \text{ ft}^2$

3.



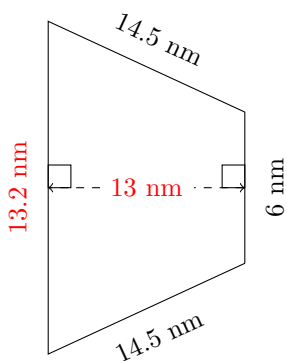
$P = 23.7 \text{ yd}$   
 $A = 28.4 \text{ yd}^2$

4.



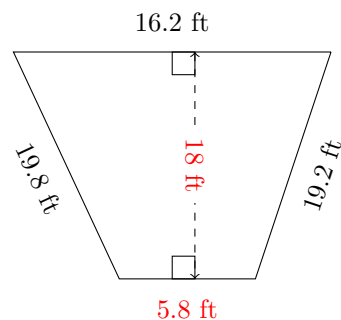
$P = 59.2 \text{ mm}$   
 $A = 201 \text{ mm}^2$

5.



$P = 48.2 \text{ mm}$   
 $A = 124.8 \text{ mm}^2$

6.



$P = 61 \text{ ft}$   
 $A = 198 \text{ ft}^2$