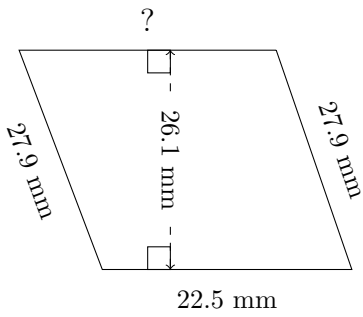


# Trapezium Measurements (A)

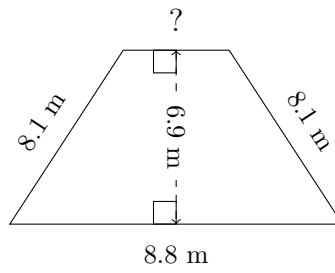
Calculate the missing measurements for each trapezium.

1.



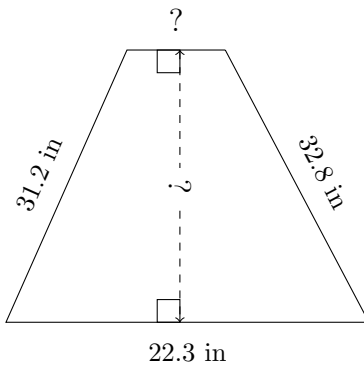
$P = 97.7 \text{ mm}$   
 $A = ?$

2.



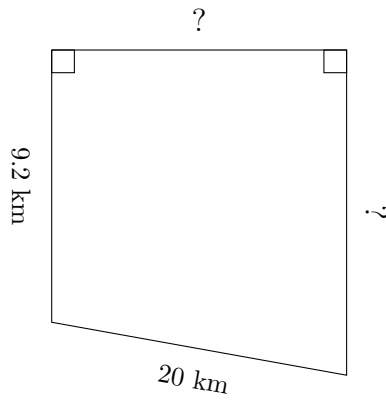
$P = ?$   
 $A = 40.02 \text{ m}^2$

3.



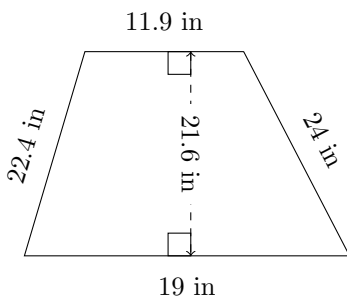
$P = 92.5 \text{ in}$   
 $A = 410.4 \text{ in}^2$

4.



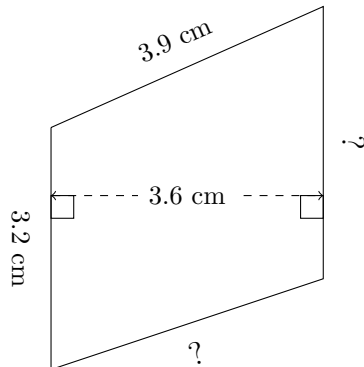
$P = 61.8 \text{ km}$   
 $A = 217.425 \text{ km}^2$

5.



$P = ?$   
 $A = ?$

6.



$P = 14.5 \text{ cm}$   
 $A = 12.24 \text{ cm}^2$