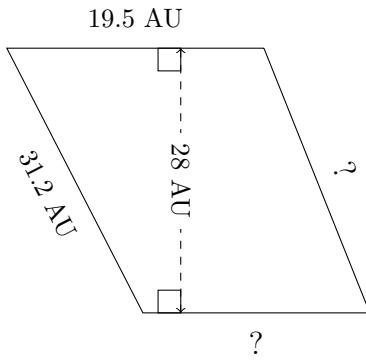


# Trapezium Measurements (I)

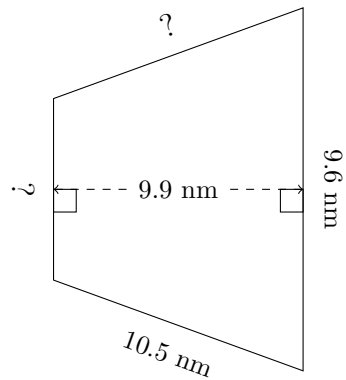
Calculate the missing measurements for each trapezium.

1.



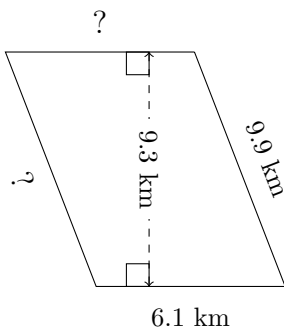
$P = 101.6 \text{ AU}$   
 $A = 560 \text{ AU}^2$

2.



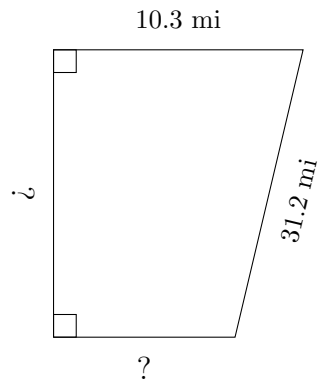
$P = 35.4 \text{ nm}$   
 $A = 71.28 \text{ nm}^2$

3.



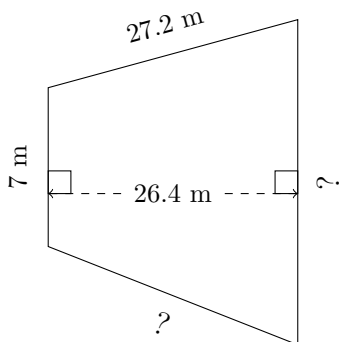
$P = 32.2 \text{ km}$   
 $A = 57.66 \text{ km}^2$

4.



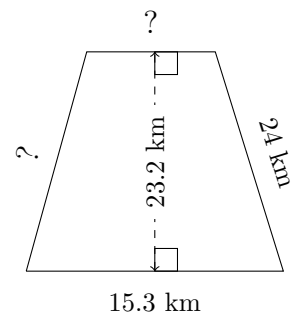
$P = 84.1 \text{ mi}$   
 $A = 342 \text{ mi}^2$

5.



$P = 82.6 \text{ m}$   
 $A = 361.68 \text{ m}^2$

6.



$P = 71.3 \text{ km}$   
 $A = 270.28 \text{ km}^2$