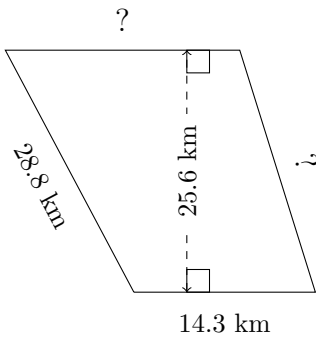


# Trapezium Measurements (F)

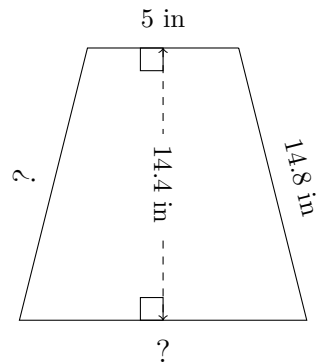
Calculate the missing measurements for each trapezium.

1.



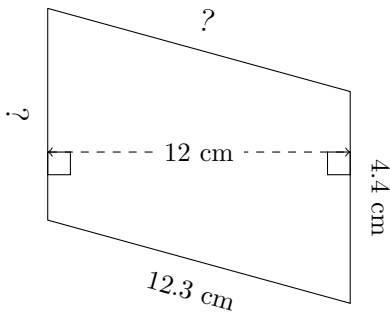
$P = 90.2 \text{ km}$   
 $A = 437.76 \text{ km}^2$

2.



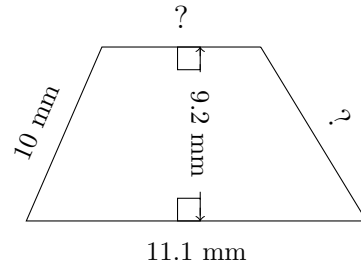
$P = 44.1 \text{ in}$   
 $A = 104.4 \text{ in}^2$

3.



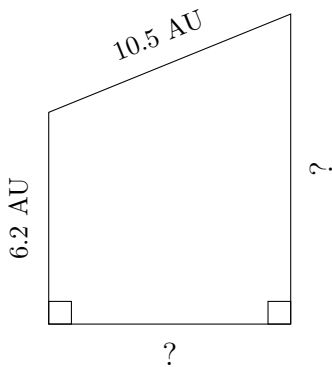
$P = 33.6 \text{ cm}$   
 $A = 54 \text{ cm}^2$

4.



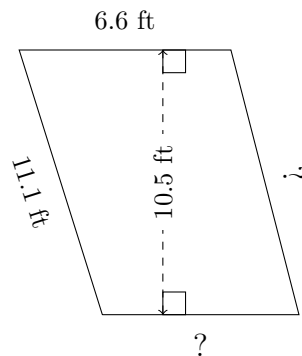
$P = 37.9 \text{ mm}$   
 $A = 78.66 \text{ mm}^2$

5.



$P = 35.2 \text{ AU}$   
 $A = 72.48 \text{ AU}^2$

6.

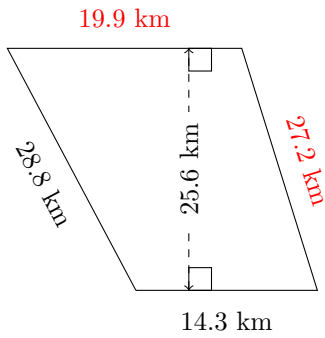


$P = 34.7 \text{ ft}$   
 $A = 67.2 \text{ ft}^2$

# Trapezium Measurements (F) Answers

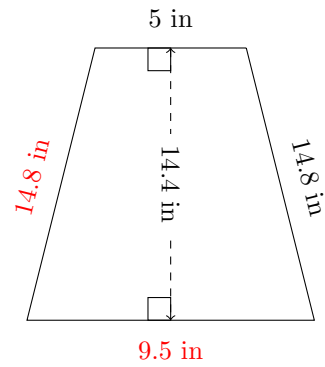
Calculate the missing measurements for each trapezium.

1.



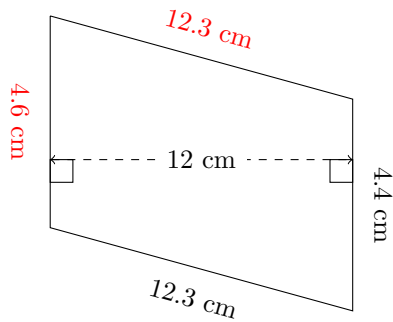
$P = 90.2 \text{ km}$   
 $A = 437.76 \text{ km}^2$

2.



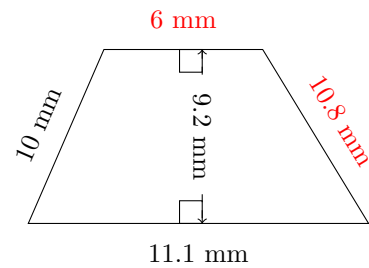
$P = 44.1 \text{ in}$   
 $A = 104.4 \text{ in}^2$

3.



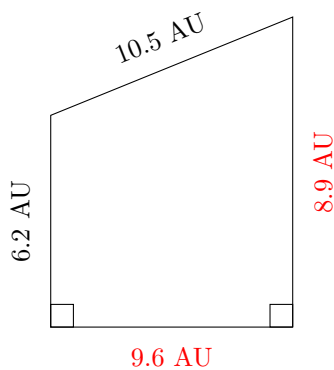
$P = 33.6 \text{ cm}$   
 $A = 54 \text{ cm}^2$

4.



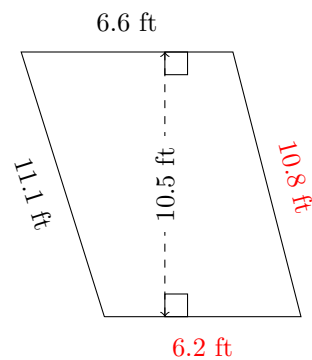
$P = 37.9 \text{ mm}$   
 $A = 78.66 \text{ mm}^2$

5.



$P = 35.2 \text{ AU}$   
 $A = 72.48 \text{ AU}^2$

6.



$P = 34.7 \text{ ft}$   
 $A = 67.2 \text{ ft}^2$