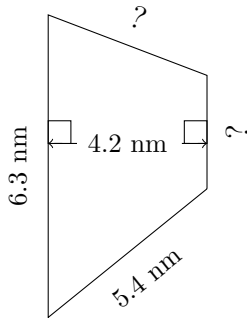


Trapezium Measurements (E)

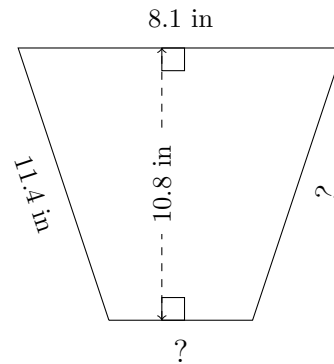
Calculate the missing measurements for each trapezium.

1.



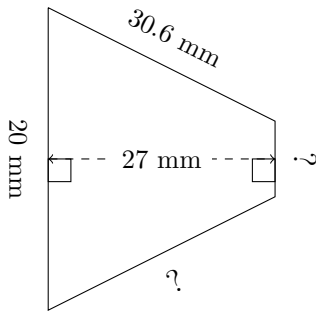
$P = 18.5 \text{ mm}$
 $A = 18.27 \text{ mm}^2$

2.



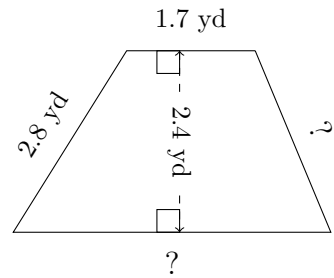
$P = 35.2 \text{ in}$
 $A = 66.96 \text{ in}^2$

3.



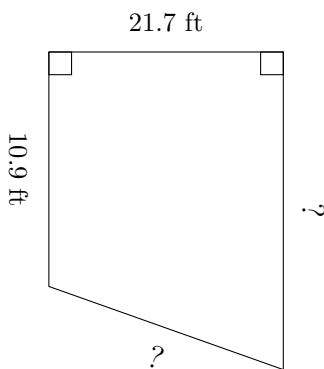
$P = 86.2 \text{ mm}$
 $A = 337.5 \text{ mm}^2$

4.



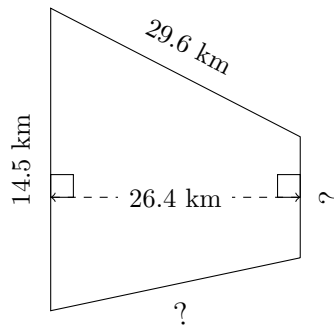
$P = 11.3 \text{ yd}$
 $A = 7.08 \text{ yd}^2$

5.



$P = 70.7 \text{ ft}$
 $A = 281.015 \text{ ft}^2$

6.

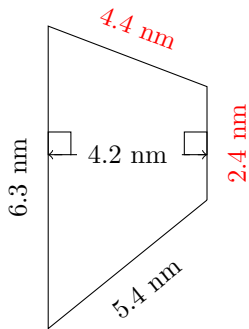


$P = 78.5 \text{ km}$
 $A = 286.44 \text{ km}^2$

Trapezium Measurements (E) Answers

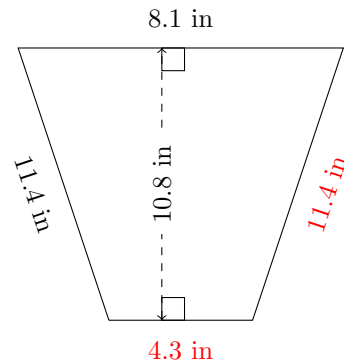
Calculate the missing measurements for each trapezium.

1.



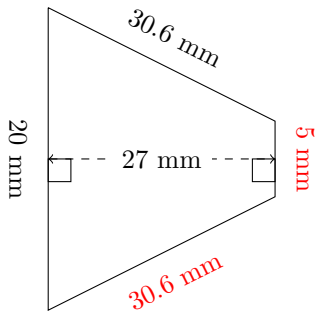
$P = 18.5 \text{ mm}$
 $A = 18.27 \text{ mm}^2$

2.



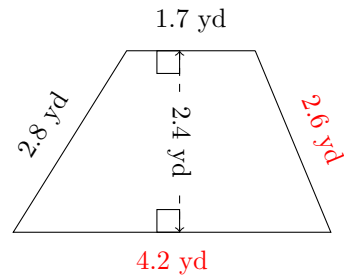
$P = 35.2 \text{ in}$
 $A = 66.96 \text{ in}^2$

3.



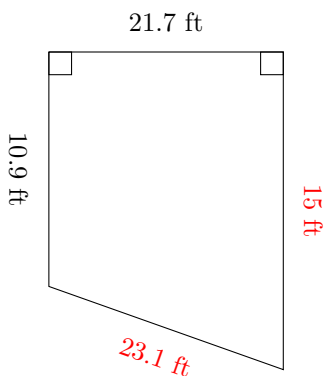
$P = 86.2 \text{ mm}$
 $A = 337.5 \text{ mm}^2$

4.



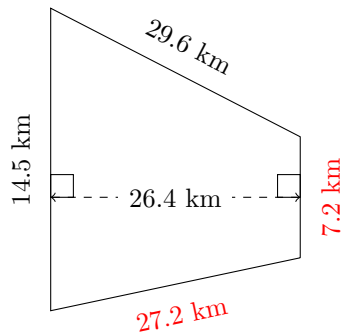
$P = 11.3 \text{ yd}$
 $A = 7.08 \text{ yd}^2$

5.



$P = 70.7 \text{ ft}$
 $A = 281.015 \text{ ft}^2$

6.



$P = 78.5 \text{ km}$
 $A = 286.44 \text{ km}^2$