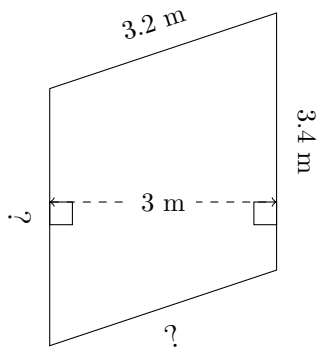


Trapezium Measurements (D)

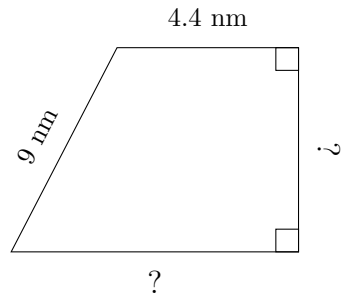
Calculate the missing measurements for each trapezium.

1.



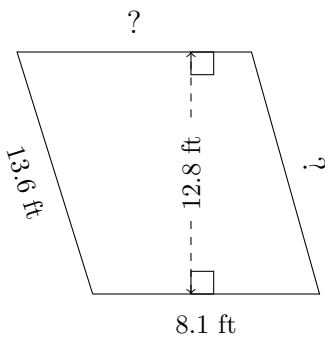
$P = 13.2 \text{ m}$
 $A = 10.2 \text{ m}^2$

2.



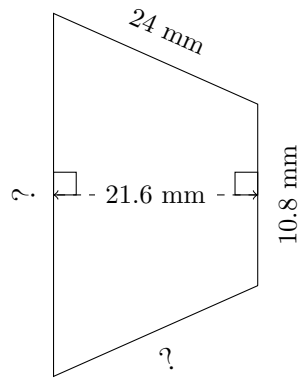
$P = 28.1 \text{ mm}$
 $A = 44.55 \text{ mm}^2$

3.



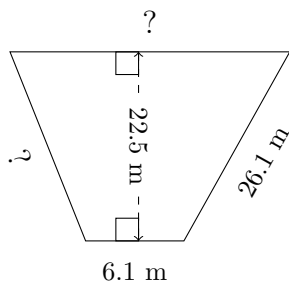
$P = 44.9 \text{ ft}$
 $A = 115.84 \text{ ft}^2$

4.



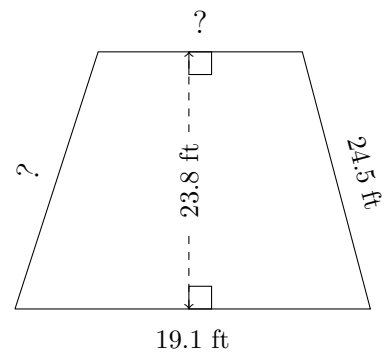
$P = 80.4 \text{ mm}$
 $A = 349.92 \text{ mm}^2$

5.



$P = 73.8 \text{ m}$
 $A = 263.25 \text{ m}^2$

6.

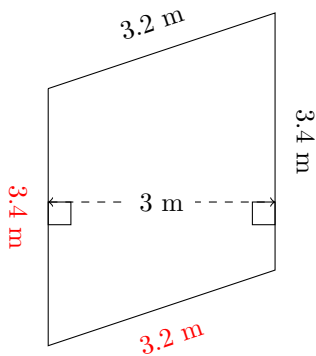


$P = 78.7 \text{ ft}$
 $A = 345.1 \text{ ft}^2$

Trapezium Measurements (D) Answers

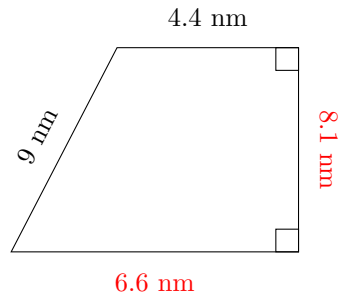
Calculate the missing measurements for each trapezium.

1.



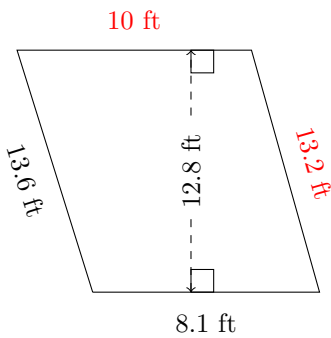
$P = 13.2 \text{ m}$
 $A = 10.2 \text{ m}^2$

2.



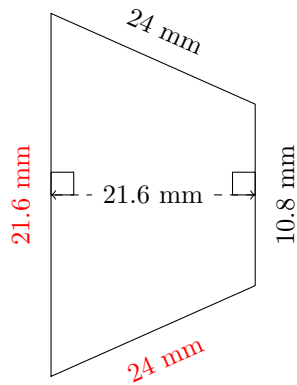
$P = 28.1 \text{ mm}$
 $A = 44.55 \text{ mm}^2$

3.



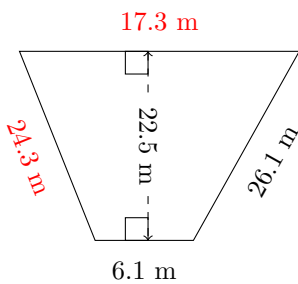
$P = 44.9 \text{ ft}$
 $A = 115.84 \text{ ft}^2$

4.



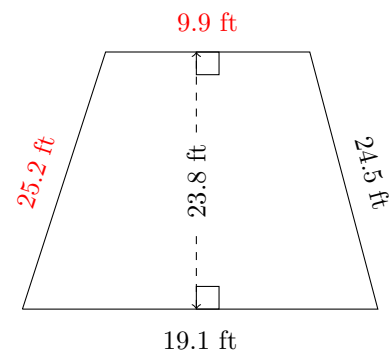
$P = 80.4 \text{ mm}$
 $A = 349.92 \text{ mm}^2$

5.



$P = 73.8 \text{ m}$
 $A = 263.25 \text{ m}^2$

6.



$P = 78.7 \text{ ft}$
 $A = 345.1 \text{ ft}^2$