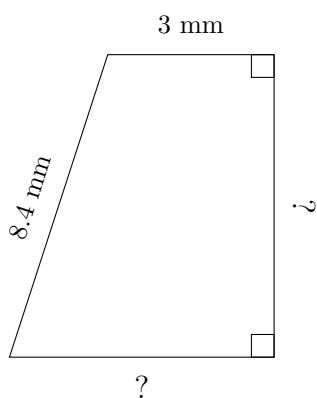


Trapezium Measurements (I)

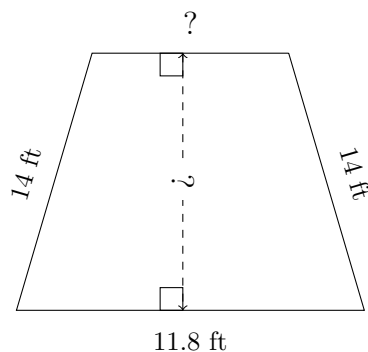
Calculate the missing measurements for each trapezium.

1.



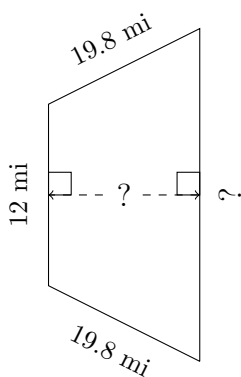
$P = 24.3$ mm
 $A = 31.6$ mm²

2.



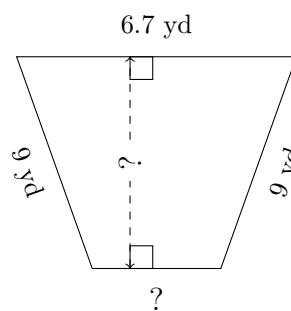
$P = 46$ ft
 $A = 122.4$ ft²

3.



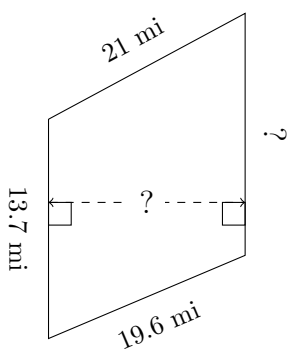
$P = 73.6$ mi
 $A = 306$ mi²

4.



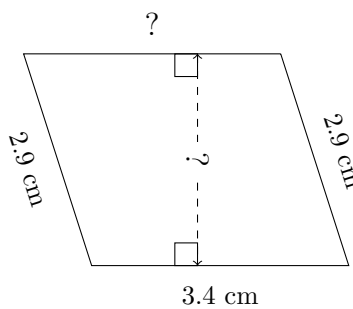
$P = 28.8$ yd
 $A = 45.36$ yd²

5.



$P = 72.5$ mi
 $A = 290.29$ mi²

6.

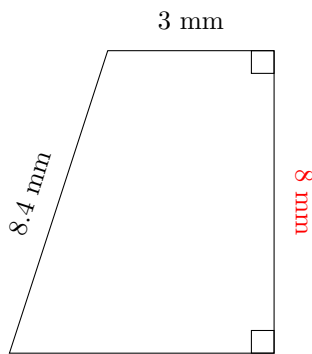


$P = 12.6$ cm
 $A = 9.52$ cm²

Trapezium Measurements (I) Answers

Calculate the missing measurements for each trapezium.

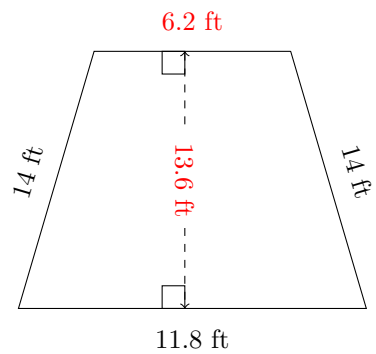
1.



4.9 mm

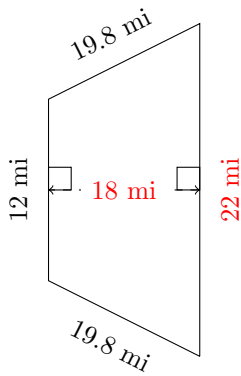
$P = 24.3 \text{ mm}$
 $A = 31.6 \text{ mm}^2$

2.



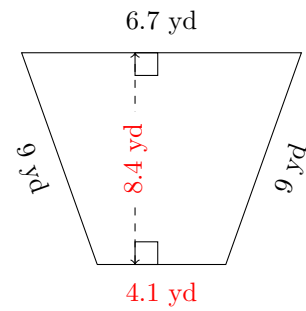
$P = 46 \text{ ft}$
 $A = 122.4 \text{ ft}^2$

3.



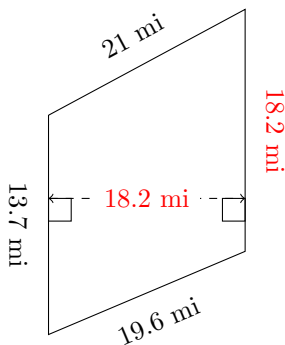
$P = 73.6 \text{ mi}$
 $A = 306 \text{ mi}^2$

4.



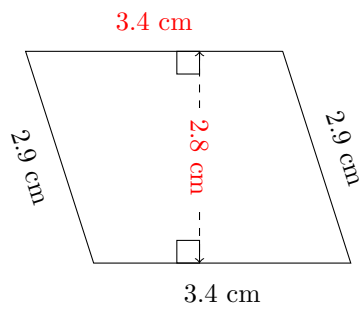
$P = 28.8 \text{ yd}$
 $A = 45.36 \text{ yd}^2$

5.



$P = 72.5 \text{ mi}$
 $A = 290.29 \text{ mi}^2$

6.



$P = 12.6 \text{ cm}$
 $A = 9.52 \text{ cm}^2$