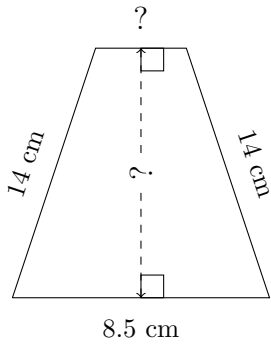


Trapezium Measurements (H)

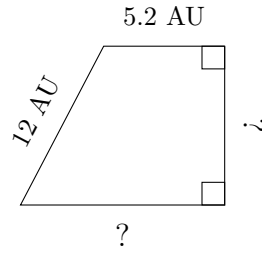
Calculate the missing measurements for each trapezium.

1.



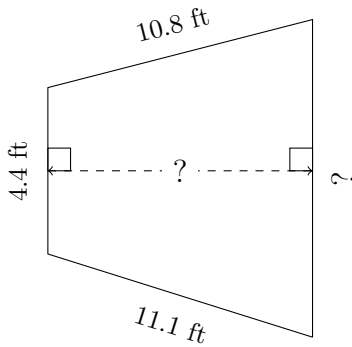
$P = 39.5$ cm
 $A = 75.9$ cm²

2.



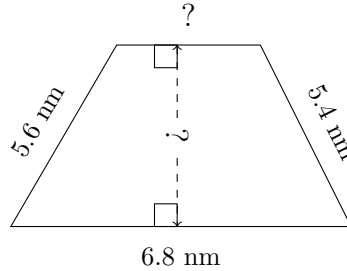
$P = 33.2$ AU
 $A = 56.175$ AU²

3.



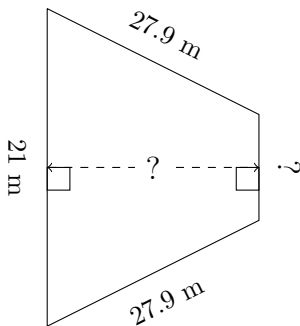
$P = 34.5$ ft
 $A = 66.15$ ft²

4.



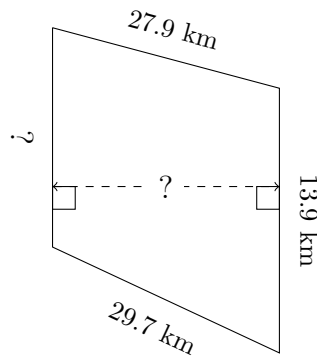
$P = 20.5$ nm
 $A = 22.8$ nm²

5.



$P = 83.8$ m
 $A = 352.8$ m²

6.



$P = 80.8$ km
 $A = 313.2$ km²