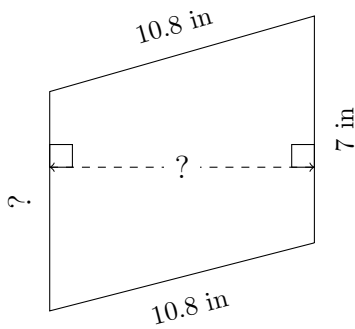


Trapezium Measurements (B)

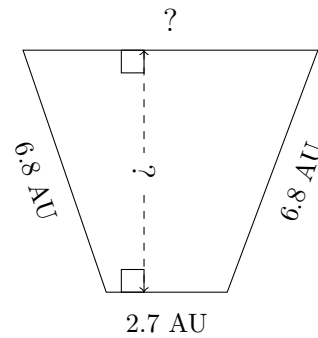
Calculate the missing measurements for each trapezium.

1.



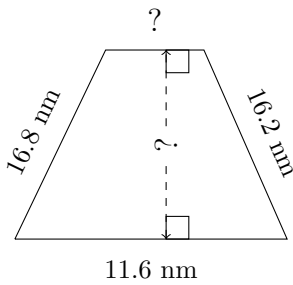
$P = 35.3 \text{ in}$
 $A = 71.925 \text{ in}^2$

2.



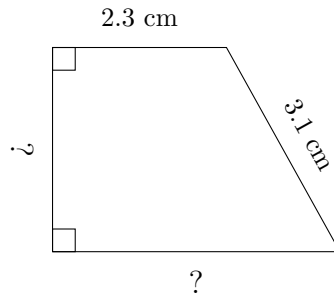
$P = 21.8 \text{ AU}$
 $A = 26.24 \text{ AU}^2$

3.



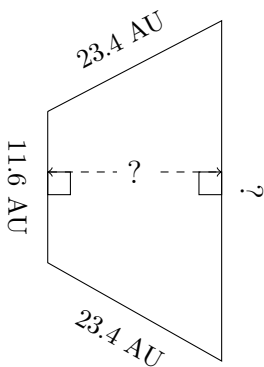
$P = 49.9 \text{ nm}$
 $A = 126.75 \text{ nm}^2$

4.



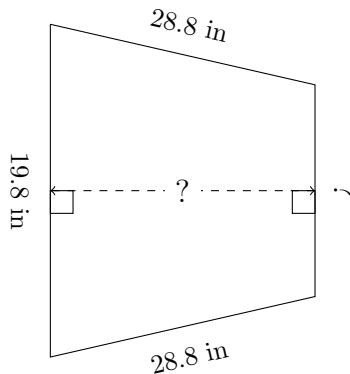
$P = 11.9 \text{ cm}$
 $A = 8.235 \text{ cm}^2$

5.



$P = 78.9 \text{ AU}$
 $A = 332.235 \text{ AU}^2$

6.

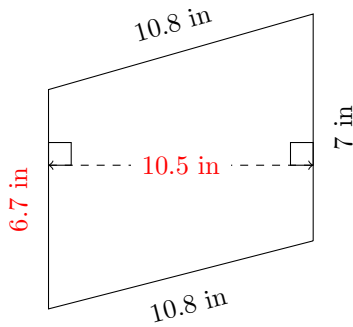


$P = 90 \text{ in}$
 $A = 453.6 \text{ in}^2$

Trapezium Measurements (B) Answers

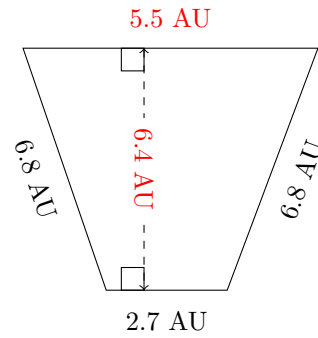
Calculate the missing measurements for each trapezium.

1.



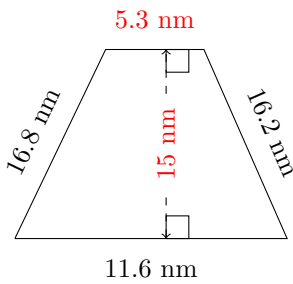
$P = 35.3 \text{ in}$
 $A = 71.925 \text{ in}^2$

2.



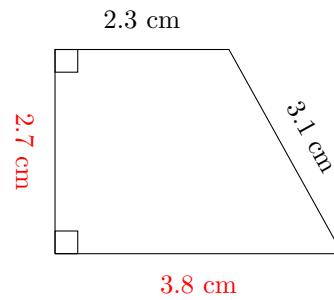
$P = 21.8 \text{ AU}$
 $A = 26.24 \text{ AU}^2$

3.



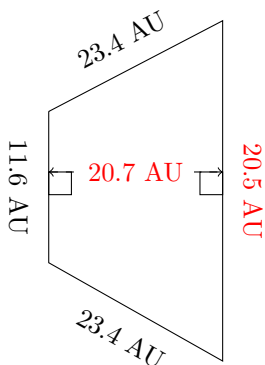
$P = 49.9 \text{ mm}$
 $A = 126.75 \text{ mm}^2$

4.



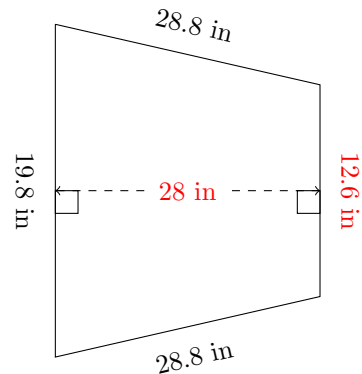
$P = 11.9 \text{ cm}$
 $A = 8.235 \text{ cm}^2$

5.



$P = 78.9 \text{ AU}$
 $A = 332.235 \text{ AU}^2$

6.



$P = 90 \text{ in}$
 $A = 453.6 \text{ in}^2$