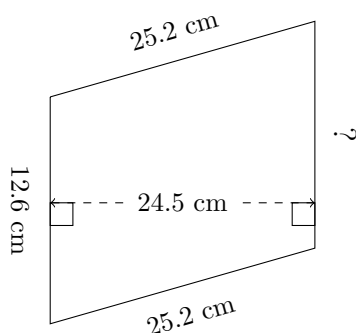


Trapezium Measurements (I)

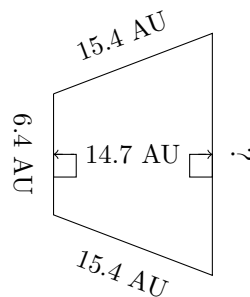
Calculate the missing measurements for each trapezium.

1.



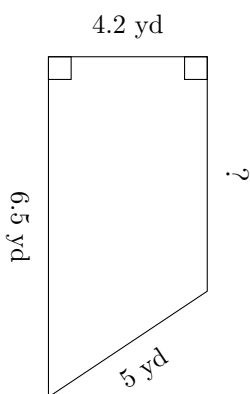
$P = 80.4 \text{ cm}$
 $A = ?$

2.



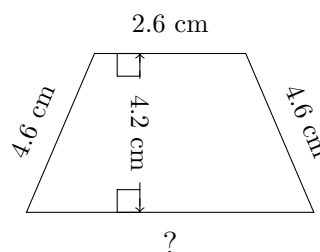
$P = 50 \text{ AU}$
 $A = ?$

3.



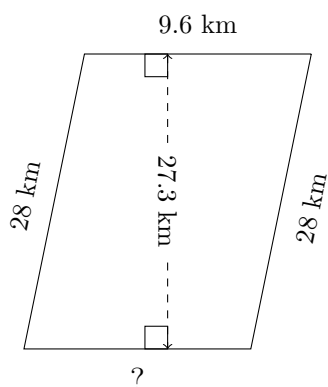
$P = 21.3 \text{ yd}$
 $A = ?$

4.



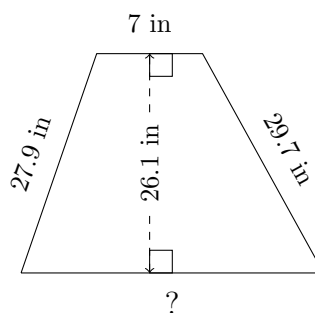
$P = 17.9 \text{ cm}$
 $A = ?$

5.



$P = 75.2 \text{ km}$
 $A = ?$

6.



$P = 87 \text{ in}$
 $A = ?$