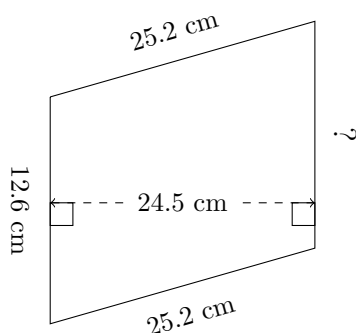


# Trapezium Measurements (I)

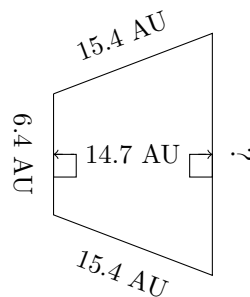
Calculate the missing measurements for each trapezium.

1.



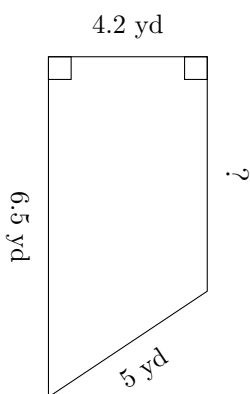
$P = 80.4 \text{ cm}$   
 $A = ?$

2.



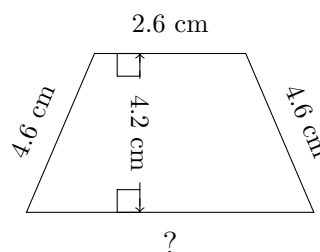
$P = 50 \text{ AU}$   
 $A = ?$

3.



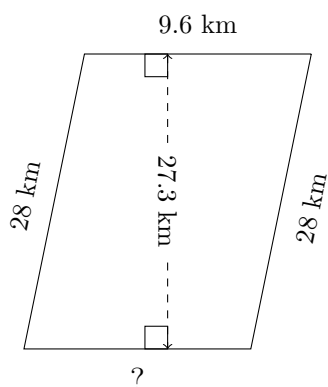
$P = 21.3 \text{ yd}$   
 $A = ?$

4.



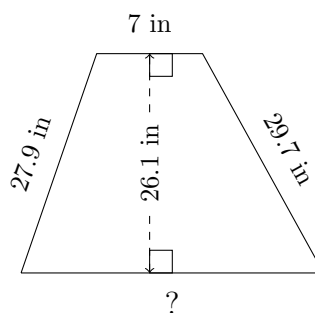
$P = 17.9 \text{ cm}$   
 $A = ?$

5.



$P = 75.2 \text{ km}$   
 $A = ?$

6.

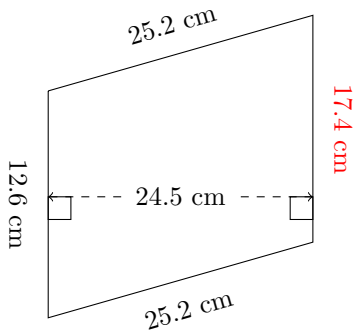


$P = 87 \text{ in}$   
 $A = ?$

# Trapezium Measurements (I) Answers

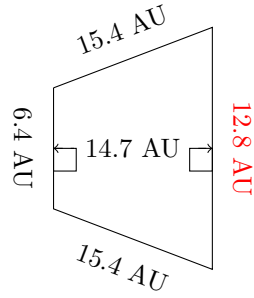
Calculate the missing measurements for each trapezium.

1.



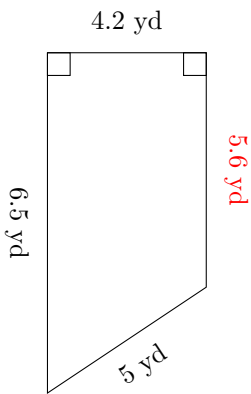
$P = 80.4 \text{ cm}$   
 $A = 367.5 \text{ cm}^2$

2.



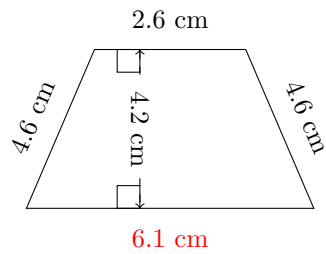
$P = 50 \text{ AU}$   
 $A = 141.12 \text{ AU}^2$

3.



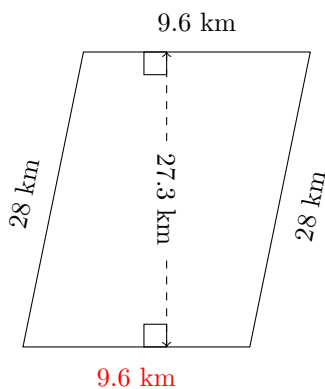
$P = 21.3 \text{ yd}$   
 $A = 25.41 \text{ yd}^2$

4.



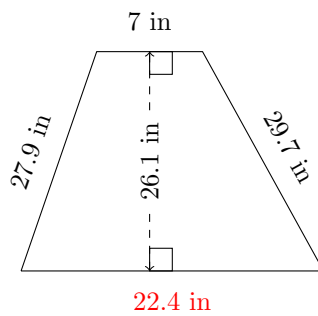
$P = 17.9 \text{ cm}$   
 $A = 18.27 \text{ cm}^2$

5.



$P = 75.2 \text{ km}$   
 $A = 262.08 \text{ km}^2$

6.



$P = 87 \text{ in}$   
 $A = 383.67 \text{ in}^2$