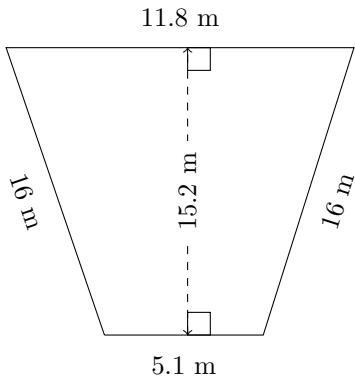


Area and Perimeter of Trapeziums (H)

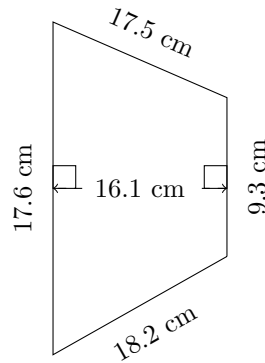
Calculate the perimeter and area for each trapezium.

1.



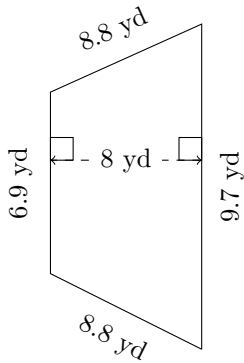
P = ?
A = ?

2.



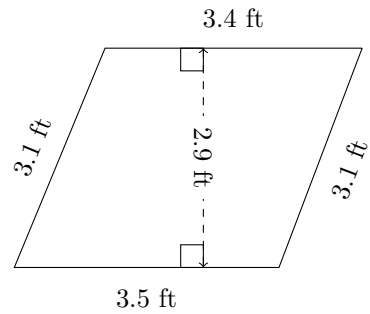
P = ?
A = ?

3.



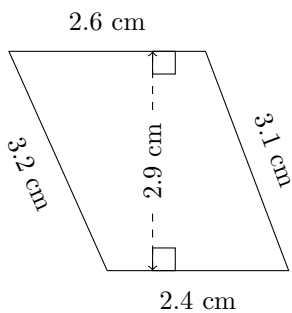
P = ?
A = ?

4.



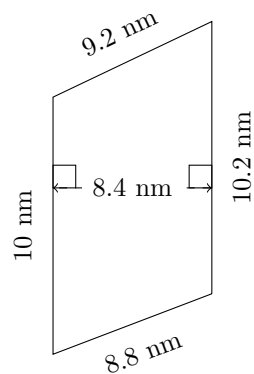
P = ?
A = ?

5.



P = ?
A = ?

6.

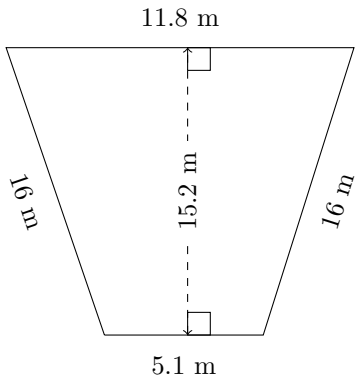


P = ?
A = ?

Area and Perimeter of Trapeziums (H) Answers

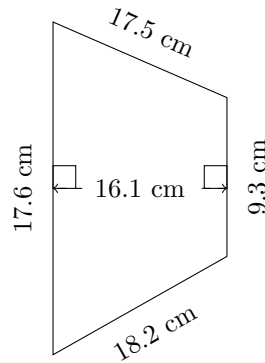
Calculate the perimeter and area for each trapezium.

1.



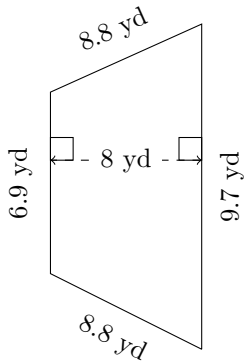
$P = 48.9 \text{ m}$
 $A = 128.44 \text{ m}^2$

2.



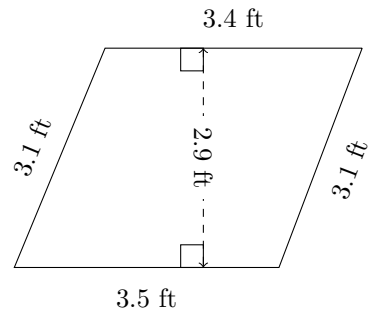
$P = 62.6 \text{ cm}$
 $A = 216.545 \text{ cm}^2$

3.



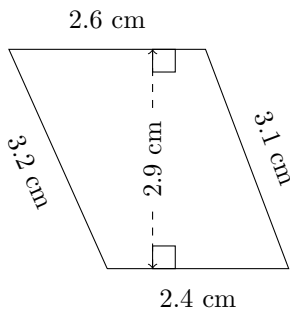
$P = 34.2 \text{ yd}$
 $A = 66.4 \text{ yd}^2$

4.



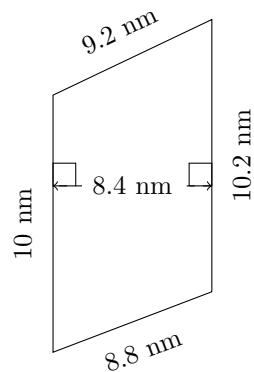
$P = 13.1 \text{ ft}$
 $A = 10.005 \text{ ft}^2$

5.



$P = 11.3 \text{ cm}$
 $A = 7.25 \text{ cm}^2$

6.



$P = 38.2 \text{ mm}$
 $A = 84.84 \text{ mm}^2$