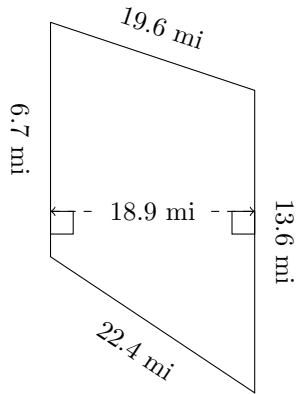


# Area and Perimeter of Trapeziums (G)

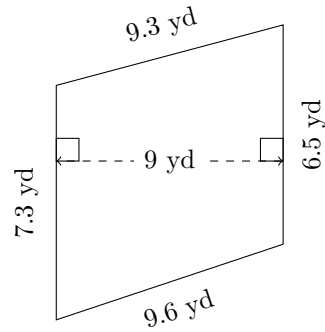
Calculate the perimeter and area for each trapezium.

1.



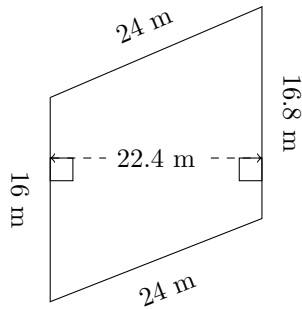
P = ?  
A = ?

2.



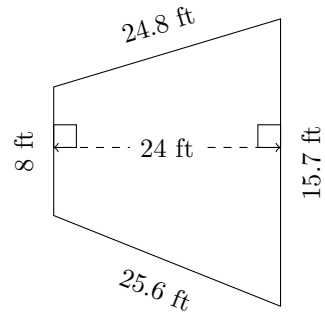
P = ?  
A = ?

3.



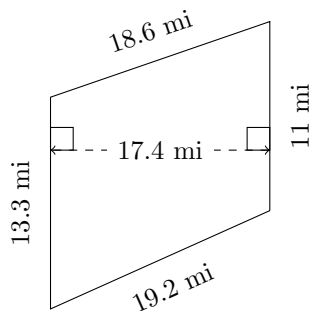
P = ?  
A = ?

4.



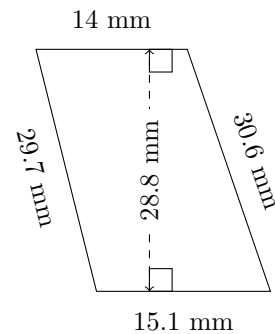
P = ?  
A = ?

5.



P = ?  
A = ?

6.

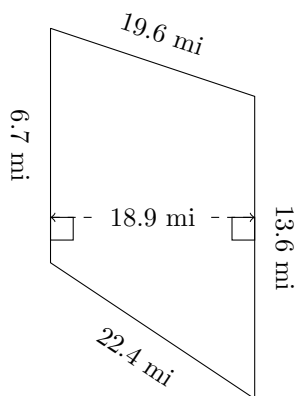


P = ?  
A = ?

# Area and Perimeter of Trapeziums (G) Answers

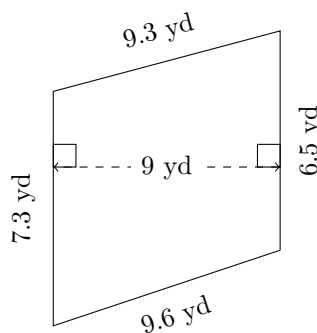
Calculate the perimeter and area for each trapezium.

1.



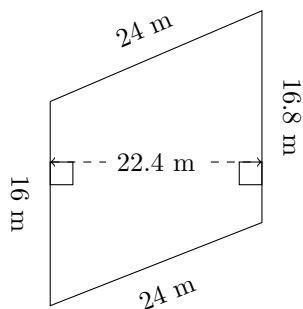
$P = 62.3 \text{ mi}$   
 $A = 191.835 \text{ mi}^2$

2.



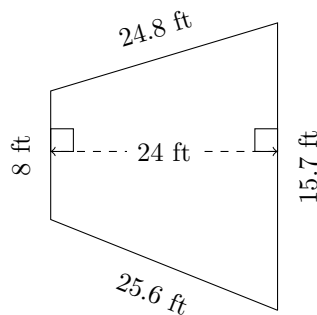
$P = 32.7 \text{ yd}$   
 $A = 62.1 \text{ yd}^2$

3.



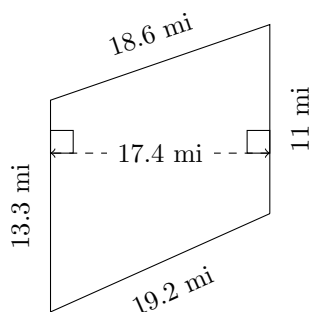
$P = 80.8 \text{ m}$   
 $A = 367.36 \text{ m}^2$

4.



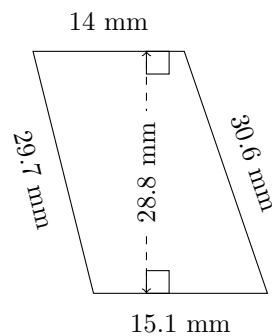
$P = 74.1 \text{ ft}$   
 $A = 284.4 \text{ ft}^2$

5.



$P = 62.1 \text{ mi}$   
 $A = 211.41 \text{ mi}^2$

6.



$P = 89.4 \text{ mm}$   
 $A = 419.04 \text{ mm}^2$