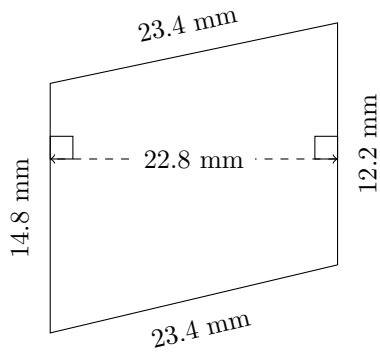


Area and Perimeter of Trapeziums (F)

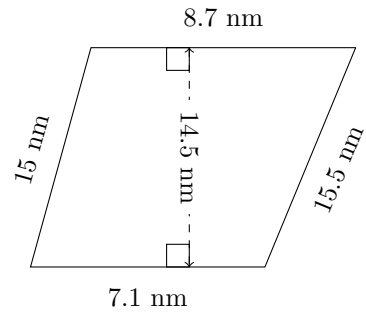
Calculate the perimeter and area for each trapezium.

1.



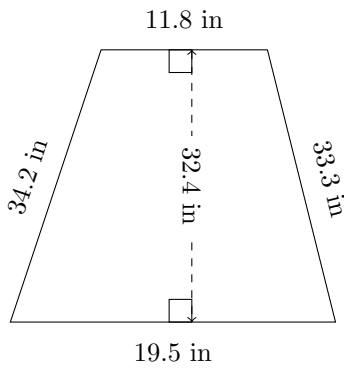
P = ?
A = ?

2.



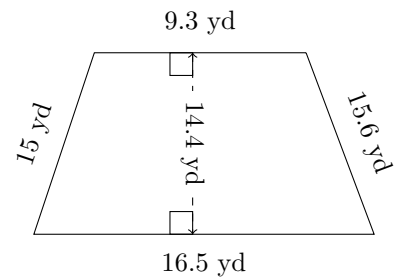
P = ?
A = ?

3.



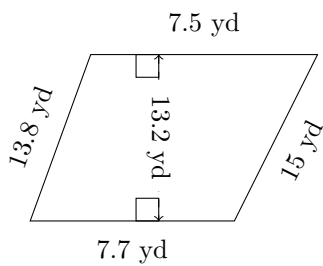
P = ?
A = ?

4.



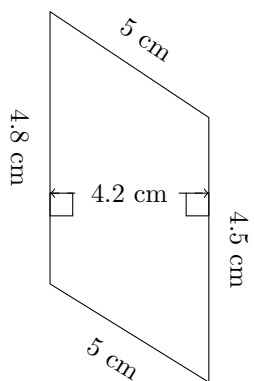
P = ?
A = ?

5.



P = ?
A = ?

6.

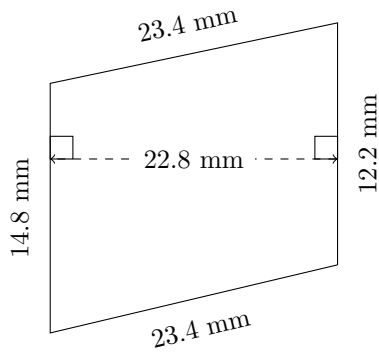


P = ?
A = ?

Area and Perimeter of Trapeziums (F) Answers

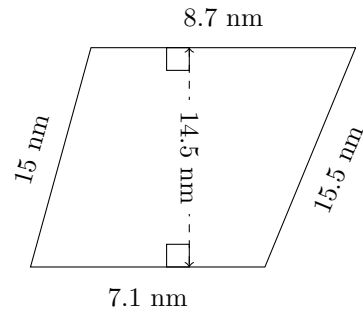
Calculate the perimeter and area for each trapezium.

1.



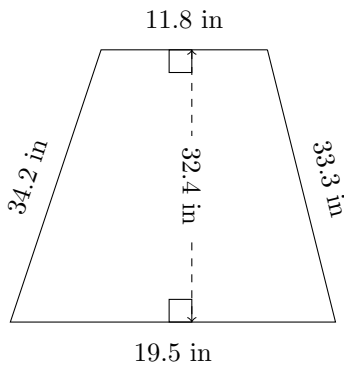
$P = 73.8 \text{ mm}$
 $A = 307.8 \text{ mm}^2$

2.



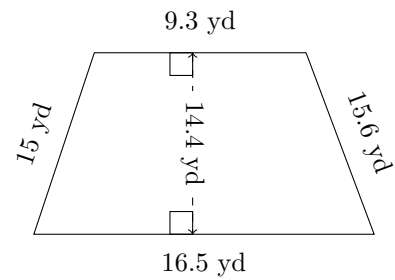
$P = 46.3 \text{ mm}$
 $A = 114.55 \text{ mm}^2$

3.



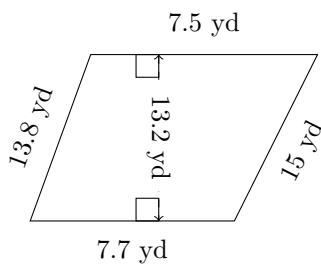
$P = 98.8 \text{ in}$
 $A = 507.06 \text{ in}^2$

4.



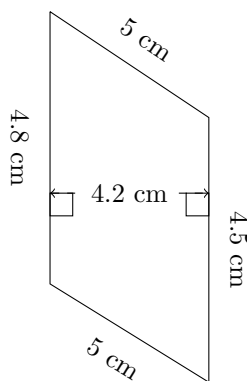
$P = 56.4 \text{ yd}$
 $A = 185.76 \text{ yd}^2$

5.



$P = 44 \text{ yd}$
 $A = 100.32 \text{ yd}^2$

6.



$P = 19.3 \text{ cm}$
 $A = 19.53 \text{ cm}^2$