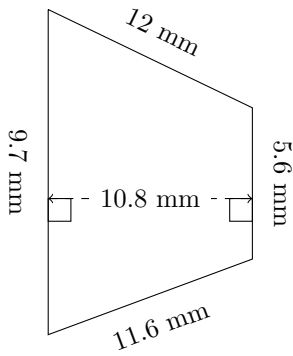


Area and Perimeter of Trapeziums (E)

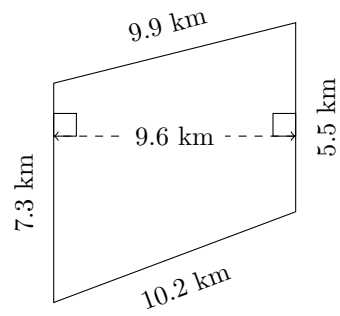
Calculate the perimeter and area for each trapezium.

1.



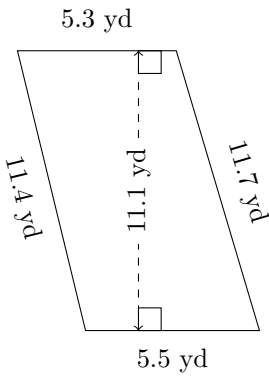
P = ?
A = ?

2.



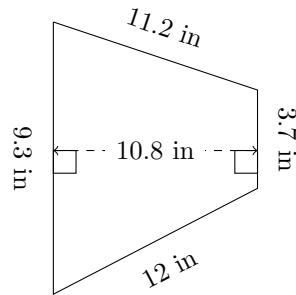
P = ?
A = ?

3.



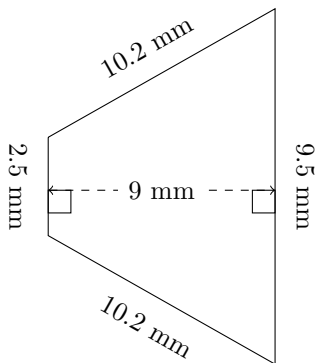
P = ?
A = ?

4.



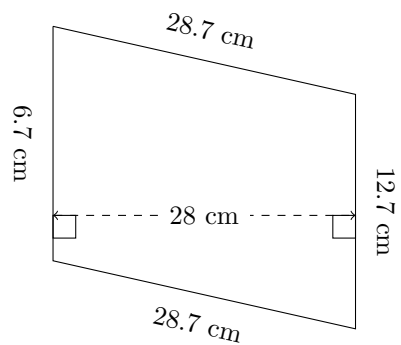
P = ?
A = ?

5.



P = ?
A = ?

6.

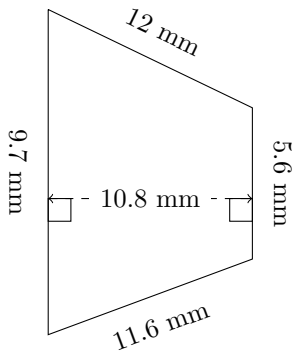


P = ?
A = ?

Area and Perimeter of Trapeziums (E) Answers

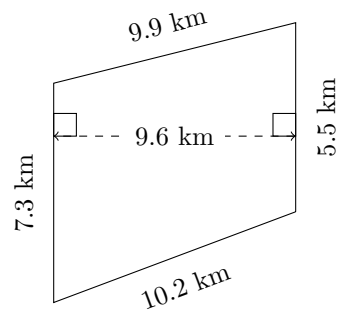
Calculate the perimeter and area for each trapezium.

1.



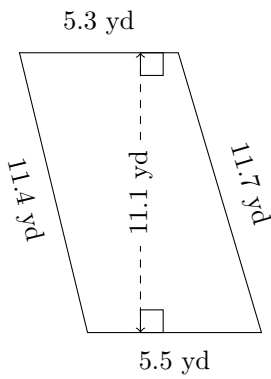
$P = 38.9 \text{ mm}$
 $A = 82.62 \text{ mm}^2$

2.



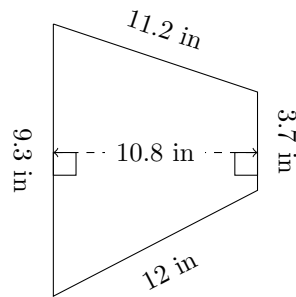
$P = 32.9 \text{ km}$
 $A = 61.44 \text{ km}^2$

3.



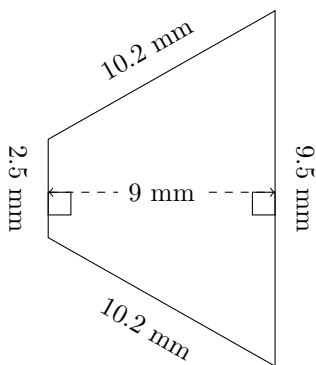
$P = 33.9 \text{ yd}$
 $A = 59.94 \text{ yd}^2$

4.



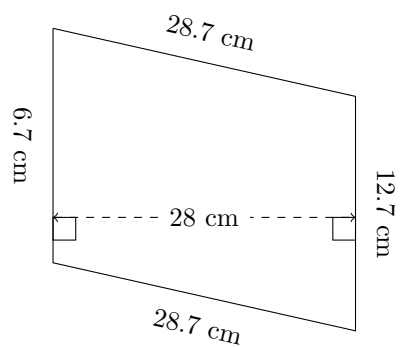
$P = 36.2 \text{ in}$
 $A = 70.2 \text{ in}^2$

5.



$P = 32.4 \text{ mm}$
 $A = 54 \text{ mm}^2$

6.



$P = 76.8 \text{ cm}$
 $A = 271.6 \text{ cm}^2$