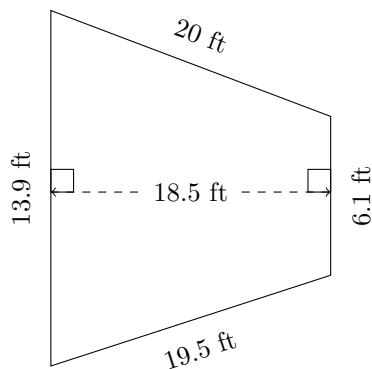


Area and Perimeter of Trapeziums (A)

Calculate the perimeter and area for each trapezium.

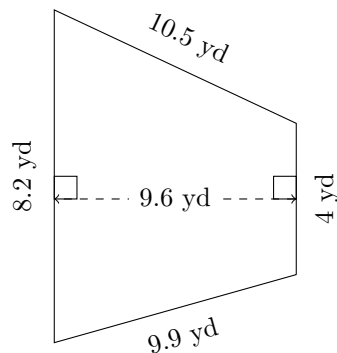
1.



P = ?

A = ?

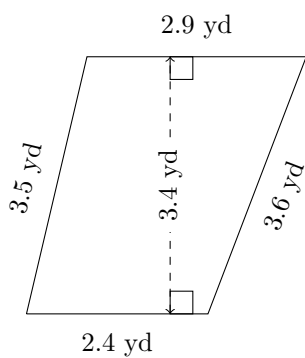
2.



P = ?

A = ?

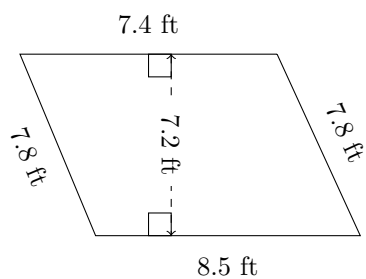
3.



P = ?

A = ?

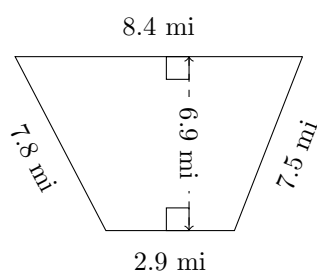
4.



P = ?

A = ?

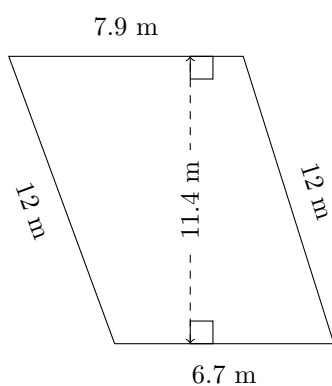
5.



P = ?

A = ?

6.



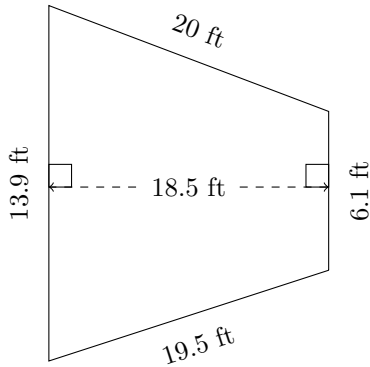
P = ?

A = ?

Area and Perimeter of Trapeziums (A) Answers

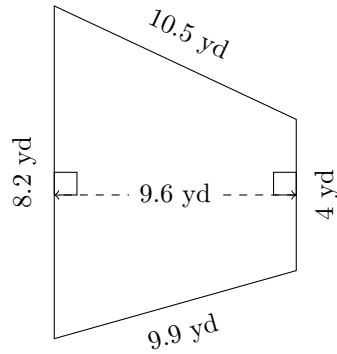
Calculate the perimeter and area for each trapezium.

1.



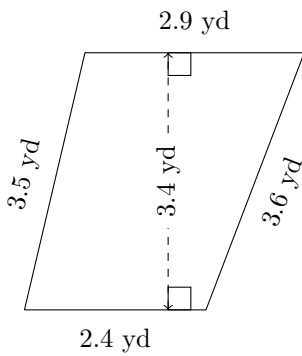
$P = 59.5 \text{ ft}$
 $A = 185 \text{ ft}^2$

2.



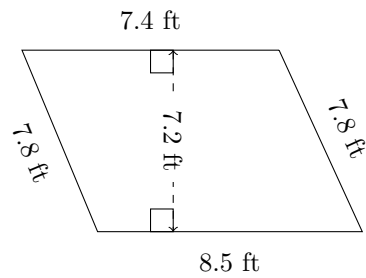
$P = 32.6 \text{ yd}$
 $A = 58.56 \text{ yd}^2$

3.



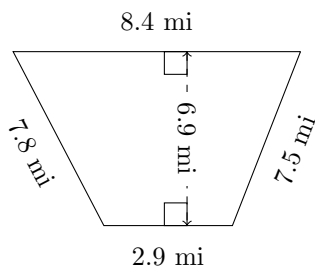
$P = 12.4 \text{ yd}$
 $A = 9.01 \text{ yd}^2$

4.



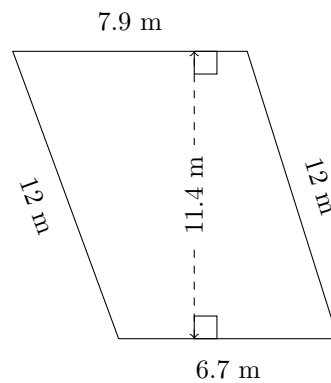
$P = 31.5 \text{ ft}$
 $A = 57.24 \text{ ft}^2$

5.



$P = 26.6 \text{ mi}$
 $A = 38.985 \text{ mi}^2$

6.



$P = 38.6 \text{ m}$
 $A = 83.22 \text{ m}^2$