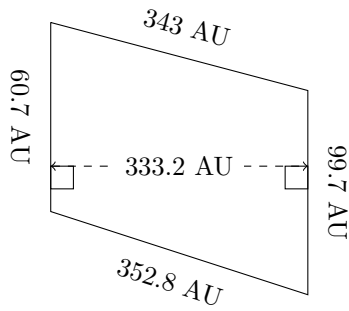


Area and Perimeter of Trapeziums (J)

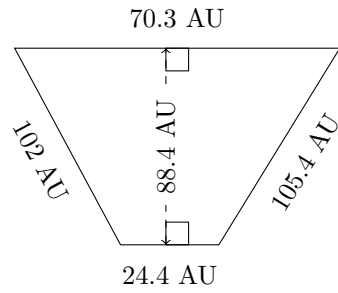
Calculate the perimeter and area for each trapezium.

1.



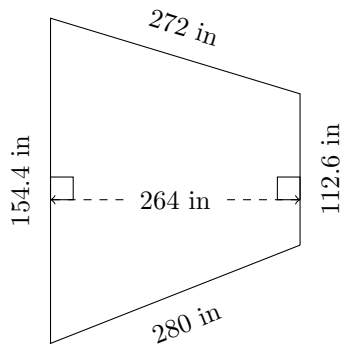
P = ?
A = ?

2.



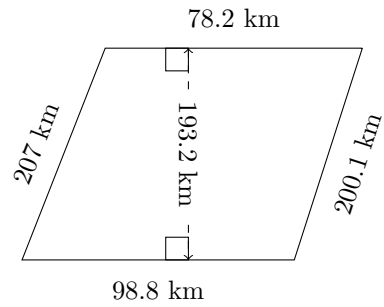
P = ?
A = ?

3.



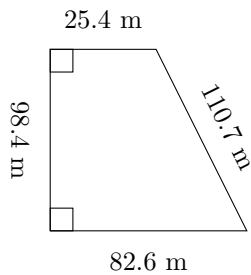
P = ?
A = ?

4.



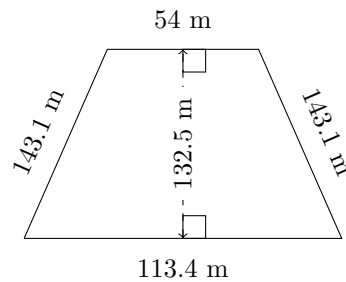
P = ?
A = ?

5.



P = ?
A = ?

6.

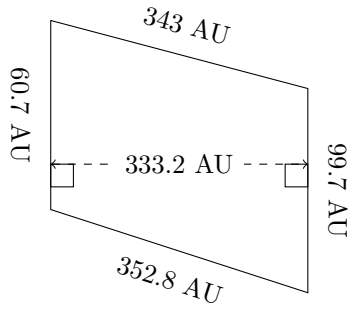


P = ?
A = ?

Area and Perimeter of Trapeziums (J) Answers

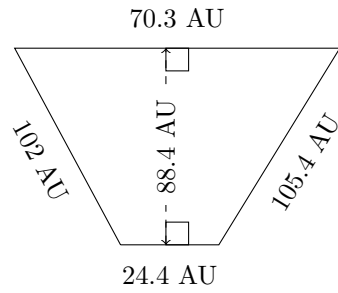
Calculate the perimeter and area for each trapezium.

1.



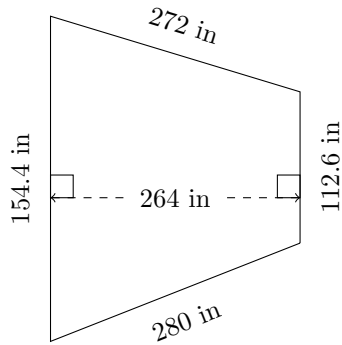
$P = 856.2 \text{ AU}$
 $A = 26,722.64 \text{ AU}^2$

2.



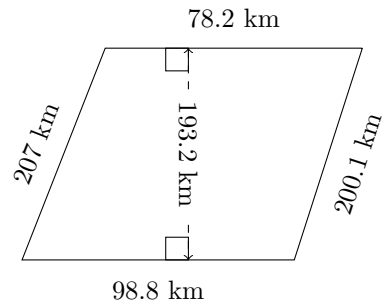
$P = 302.1 \text{ AU}$
 $A = 4185.74 \text{ AU}^2$

3.



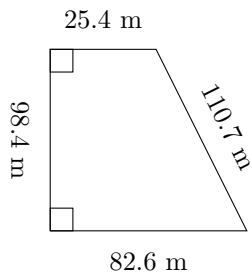
$P = 819 \text{ in}$
 $A = 35,244 \text{ in}^2$

4.



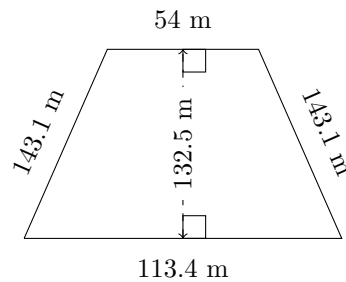
$P = 584.1 \text{ km}$
 $A = 17,098.2 \text{ km}^2$

5.



$P = 317.1 \text{ m}$
 $A = 5313.6 \text{ m}^2$

6.



$P = 453.6 \text{ m}$
 $A = 11,090.25 \text{ m}^2$