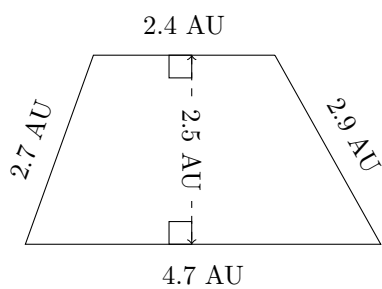


Area and Perimeter of Trapeziums (J)

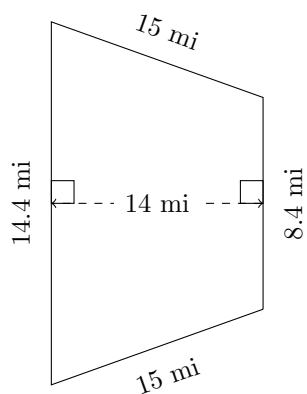
Calculate the perimeter and area for each trapezium.

1.



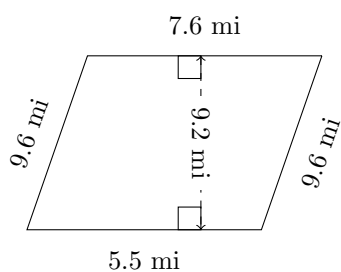
P = ?
A = ?

2.



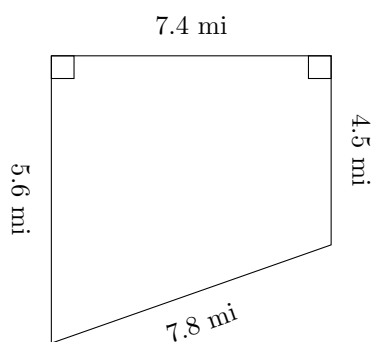
P = ?
A = ?

3.



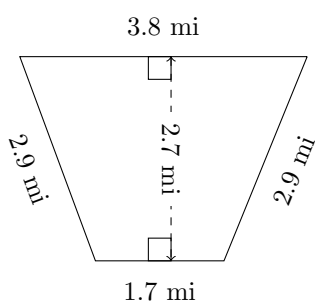
P = ?
A = ?

4.



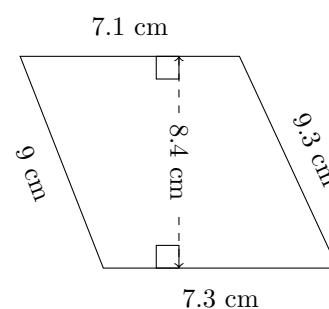
P = ?
A = ?

5.



P = ?
A = ?

6.

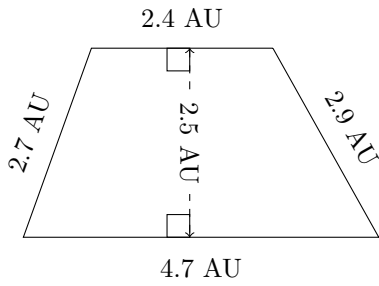


P = ?
A = ?

Area and Perimeter of Trapeziums (J) Answers

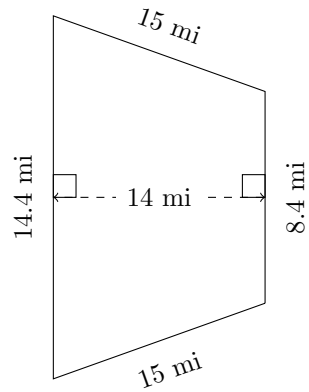
Calculate the perimeter and area for each trapezium.

1.



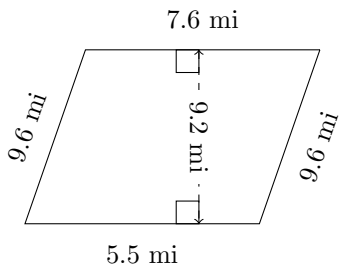
$P = 12.7 \text{ AU}$
 $A = 8.875 \text{ AU}^2$

2.



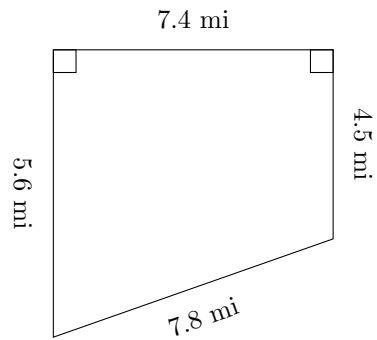
$P = 52.8 \text{ mi}$
 $A = 159.6 \text{ mi}^2$

3.



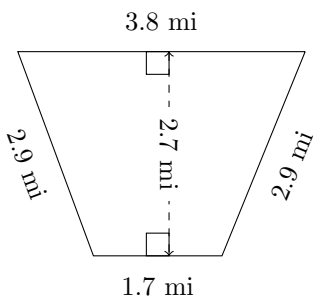
$P = 32.3 \text{ mi}$
 $A = 60.26 \text{ mi}^2$

4.



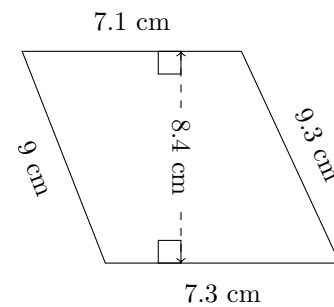
$P = 25.3 \text{ mi}$
 $A = 37.37 \text{ mi}^2$

5.



$P = 11.3 \text{ mi}$
 $A = 7.425 \text{ mi}^2$

6.



$P = 32.7 \text{ cm}$
 $A = 60.48 \text{ cm}^2$