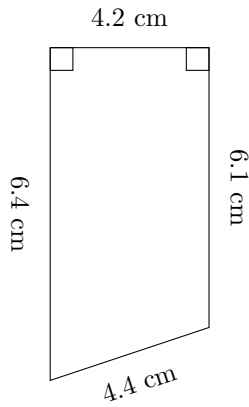


Area and Perimeter of Trapeziums (I)

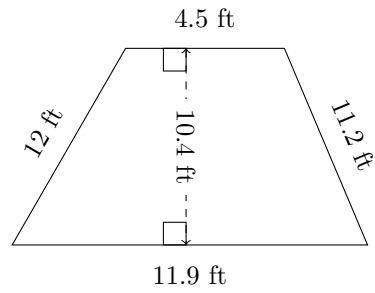
Calculate the perimeter and area for each trapezium.

1.



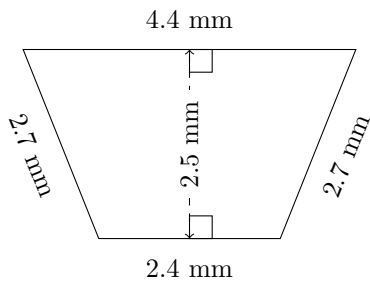
P = ?
A = ?

2.



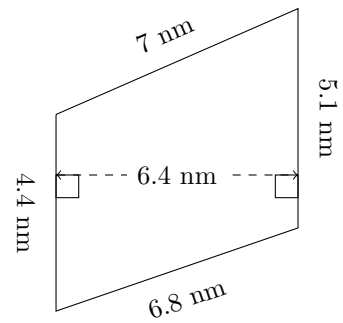
P = ?
A = ?

3.



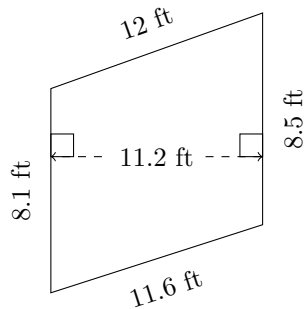
P = ?
A = ?

4.



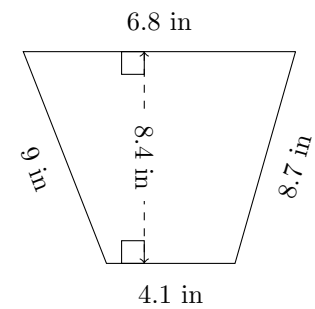
P = ?
A = ?

5.



P = ?
A = ?

6.



P = ?
A = ?