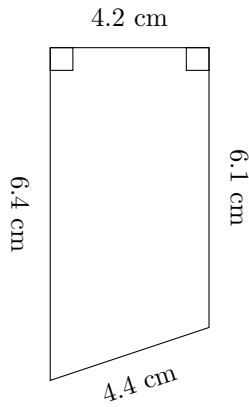


# Area and Perimeter of Trapeziums (I)

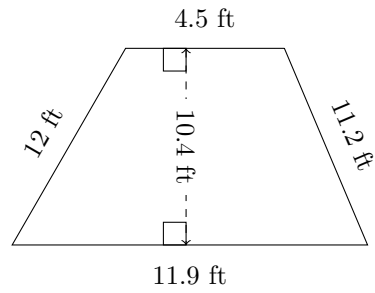
Calculate the perimeter and area for each trapezium.

1.



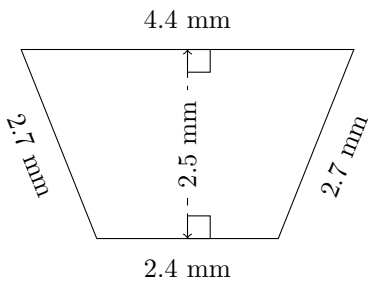
P = ?  
A = ?

2.



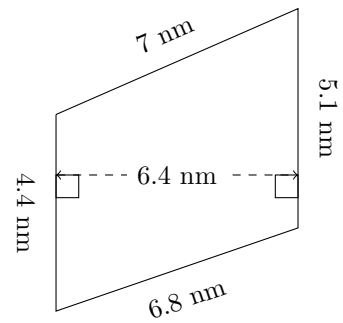
P = ?  
A = ?

3.



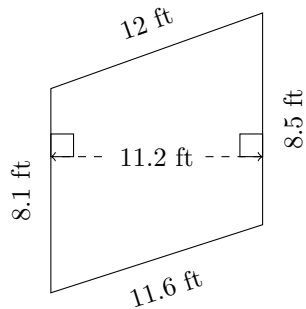
P = ?  
A = ?

4.



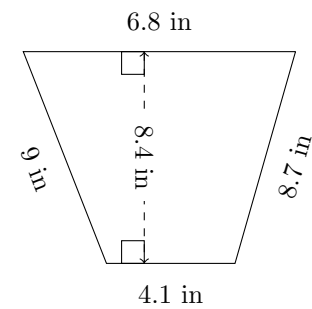
P = ?  
A = ?

5.



P = ?  
A = ?

6.

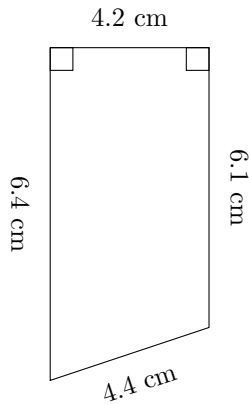


P = ?  
A = ?

# Area and Perimeter of Trapeziums (I) Answers

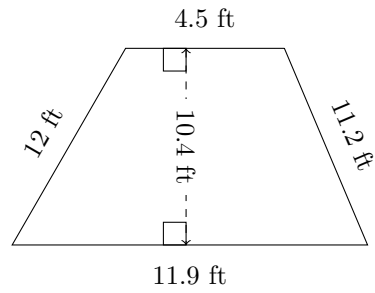
Calculate the perimeter and area for each trapezium.

1.



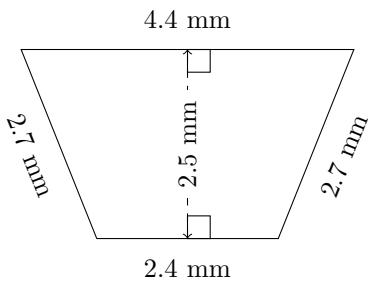
$P = 21.1 \text{ cm}$   
 $A = 26.25 \text{ cm}^2$

2.



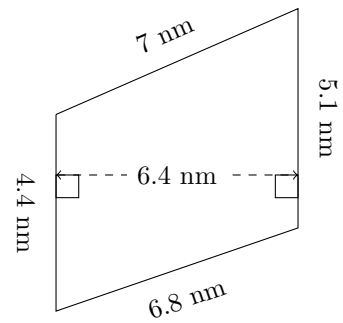
$P = 39.6 \text{ ft}$   
 $A = 85.28 \text{ ft}^2$

3.



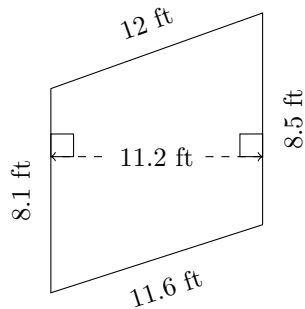
$P = 12.2 \text{ mm}$   
 $A = 8.5 \text{ mm}^2$

4.



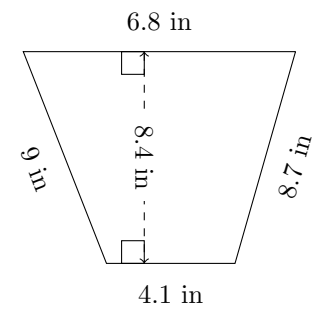
$P = 23.3 \text{ mm}$   
 $A = 30.4 \text{ mm}^2$

5.



$P = 40.2 \text{ ft}$   
 $A = 92.96 \text{ ft}^2$

6.



$P = 28.6 \text{ in}$   
 $A = 45.78 \text{ in}^2$