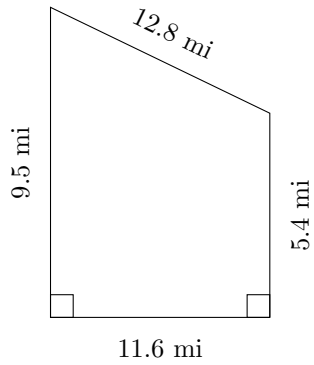


Area and Perimeter of Trapeziums (B)

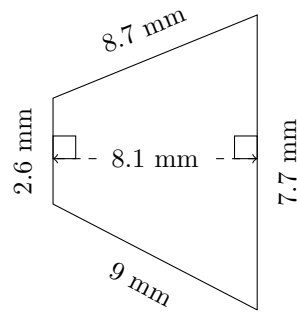
Calculate the perimeter and area for each trapezium.

1.



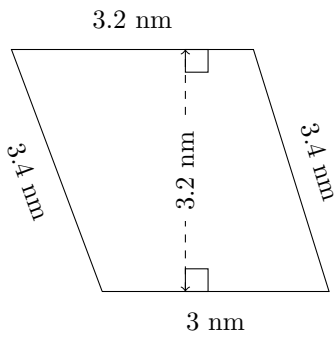
P = ?
A = ?

2.



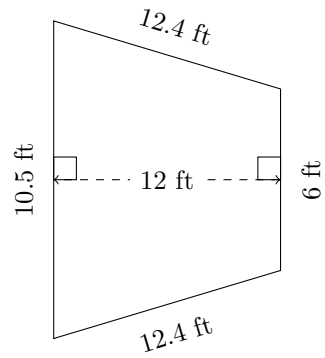
P = ?
A = ?

3.



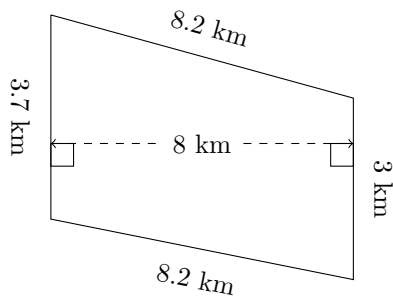
P = ?
A = ?

4.



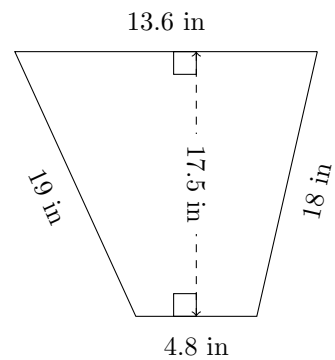
P = ?
A = ?

5.



P = ?
A = ?

6.

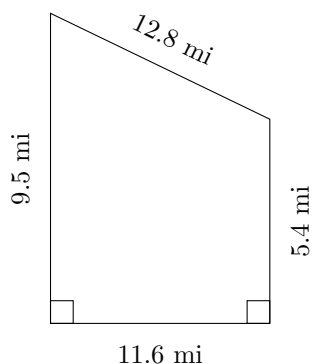


P = ?
A = ?

Area and Perimeter of Trapeziums (B) Answers

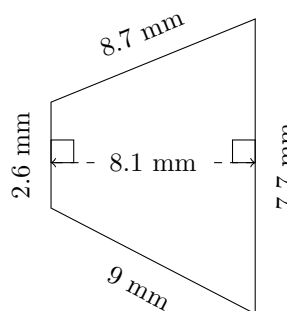
Calculate the perimeter and area for each trapezium.

1.



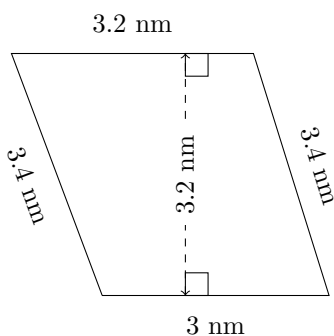
$P = 39.3 \text{ mi}$
 $A = 86.42 \text{ mi}^2$

2.



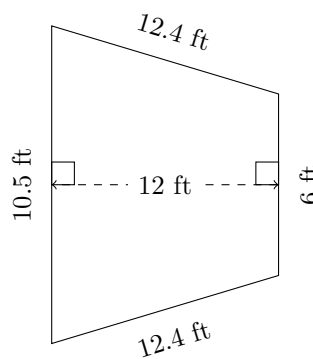
$P = 28 \text{ mm}$
 $A = 41.715 \text{ mm}^2$

3.



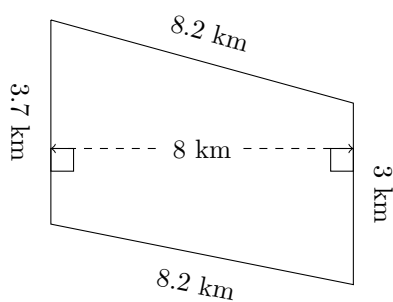
$P = 13 \text{ nm}$
 $A = 9.92 \text{ nm}^2$

4.



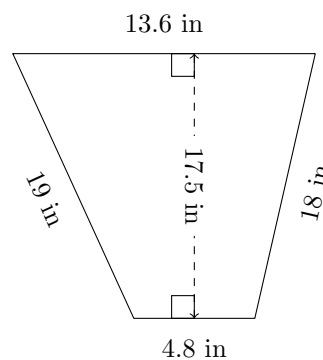
$P = 41.3 \text{ ft}$
 $A = 99 \text{ ft}^2$

5.



$P = 23.1 \text{ km}$
 $A = 26.8 \text{ km}^2$

6.



$P = 55.4 \text{ in}$
 $A = 161 \text{ in}^2$